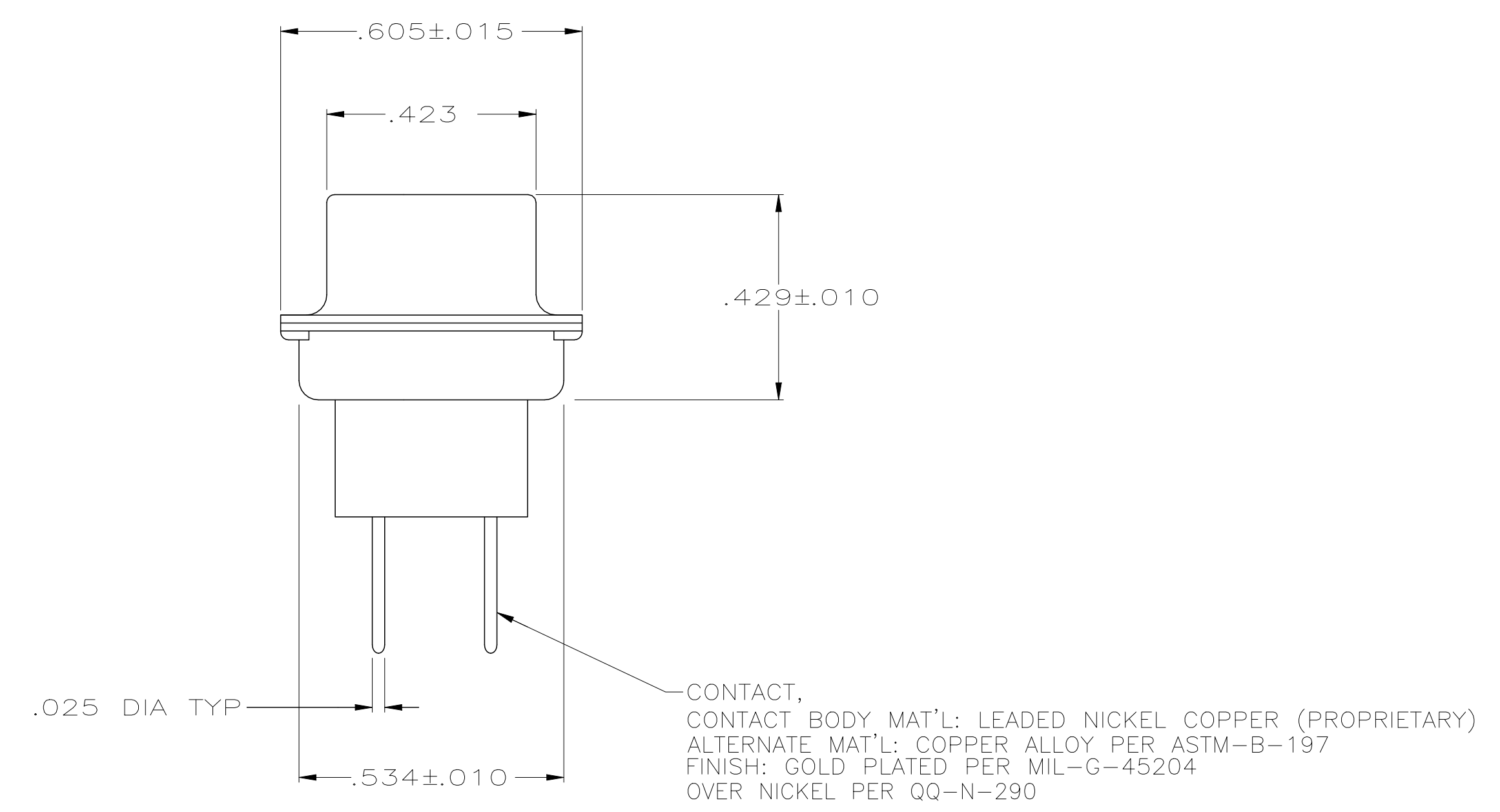
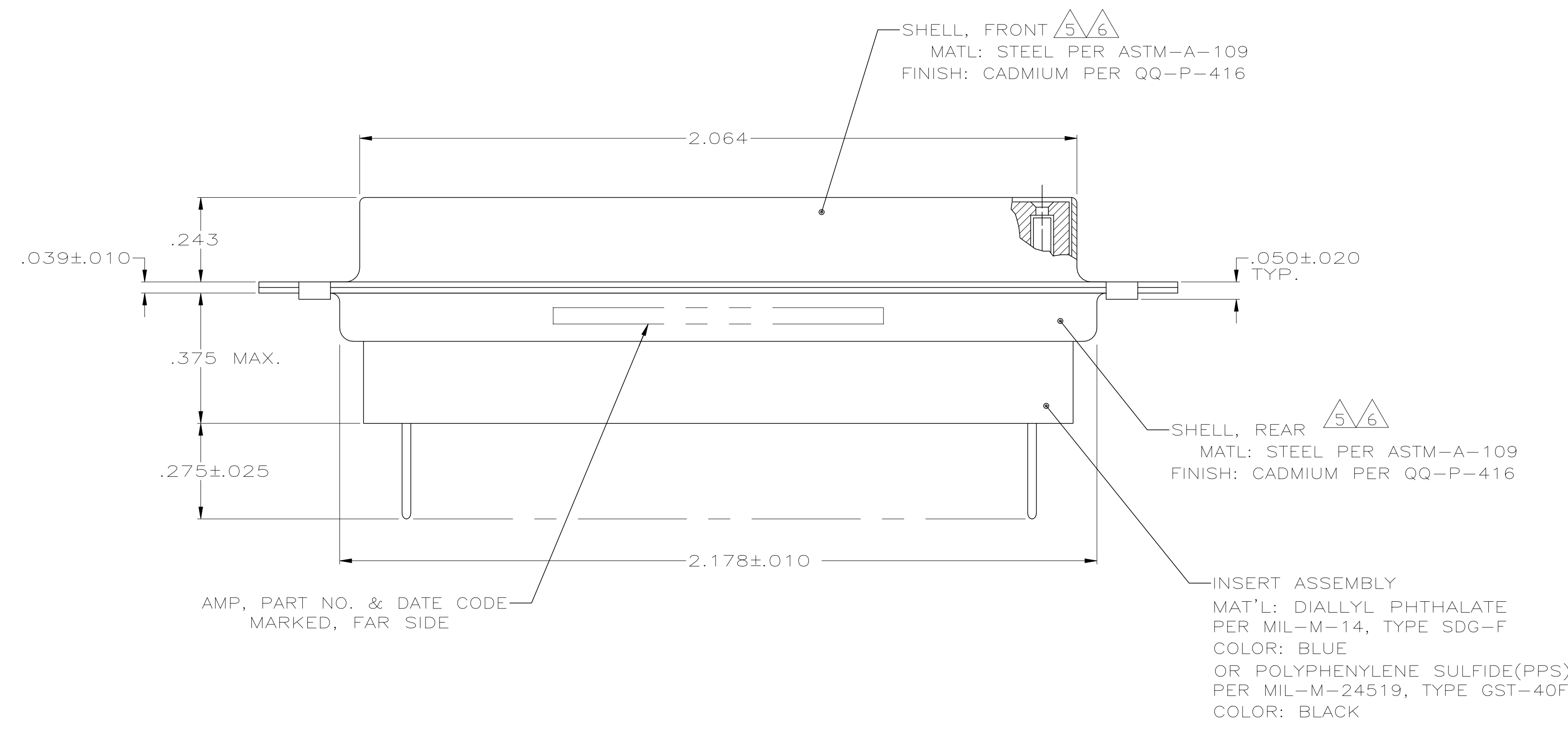
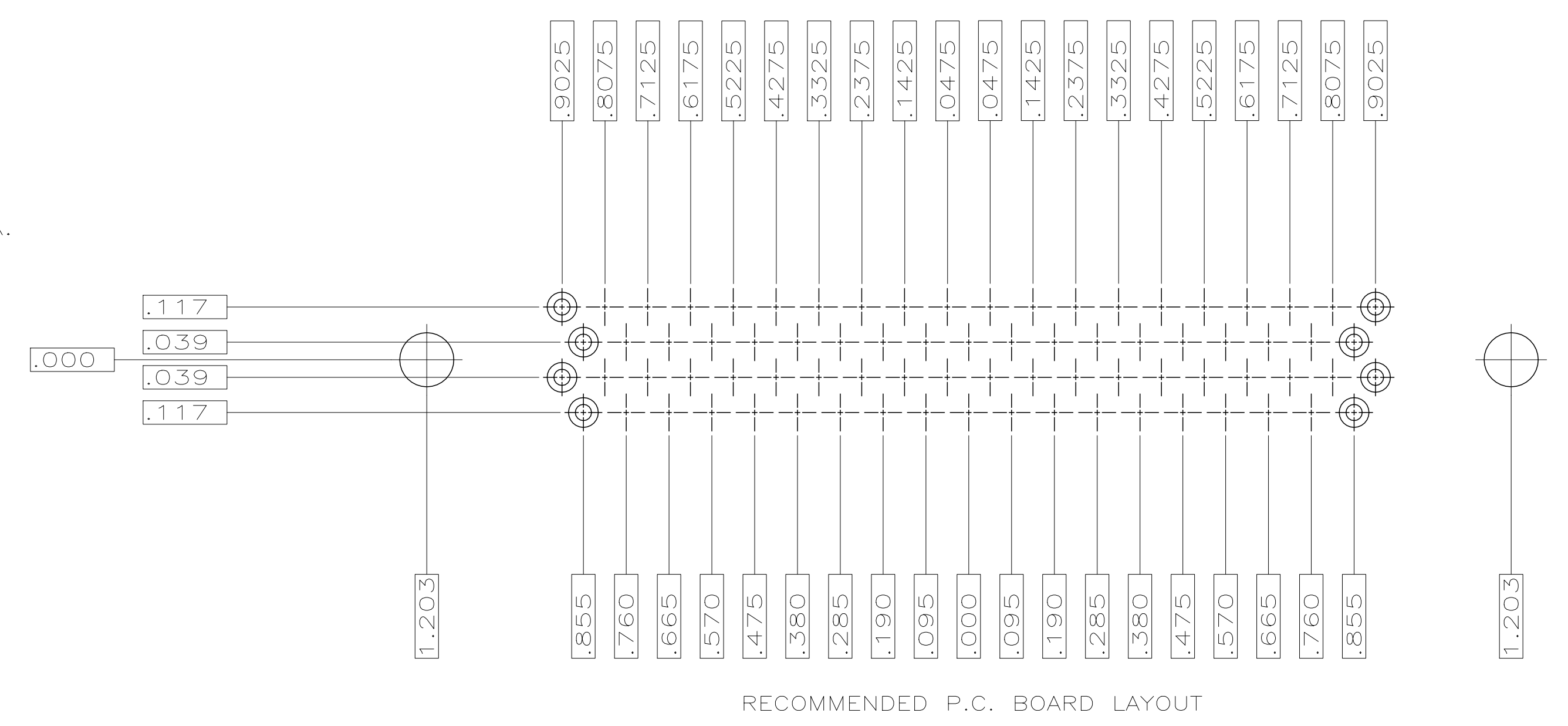
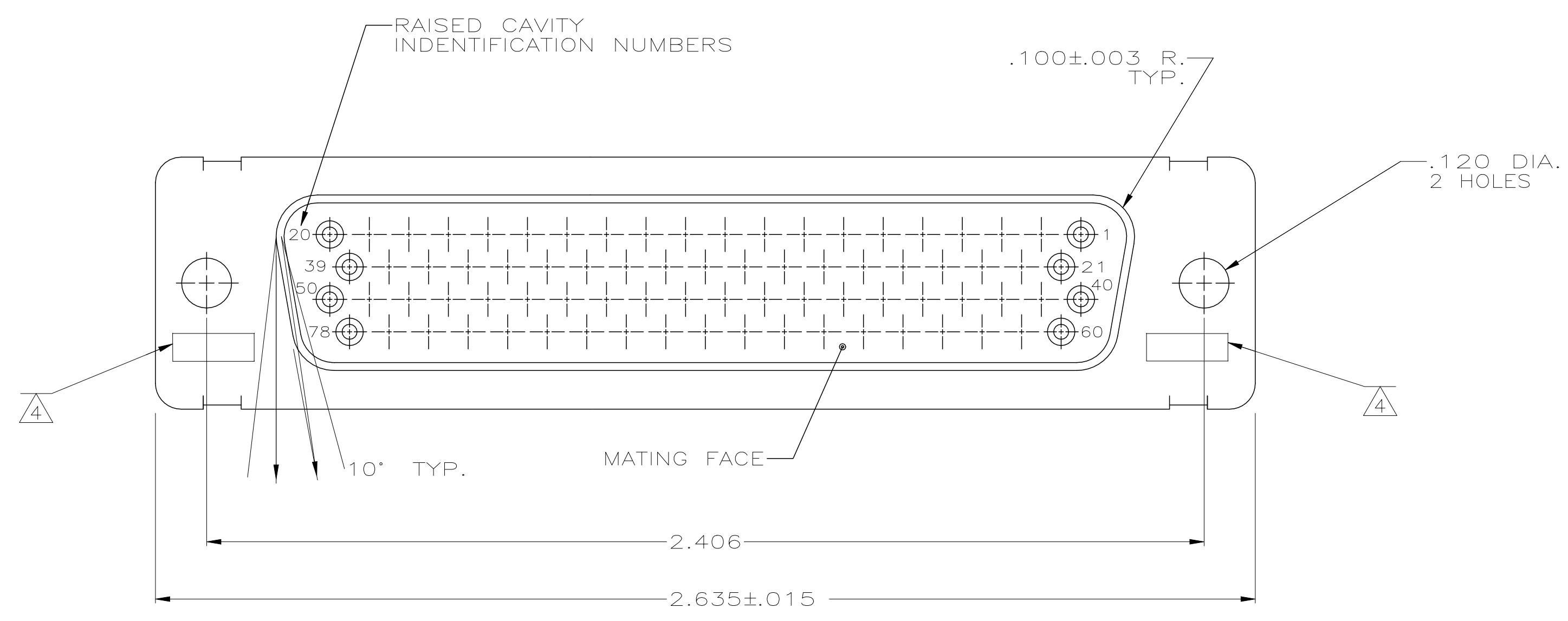


REVISIONS					
P	LTR	DESCRIPTION	DATE	DWN	APVD
J	REV PER ECO	21-007560	28JUL2021	LN	MD



- .040 DIA HOLE IS RECOMMENED FOR P.C. BOARD.
 - CONNECTOR MATES WITH ANY AMP 78 POSN PLUG.
 - REPLACEMENT SOCKET AMP# 207684-4.
- 4 UL/CSA DESIGNATION STAMPED IN THIS AREA, OPTIONAL.
- 5 FINISH: CADMIUM PER QQ-P-614.
- 6 FINISH: ZINC PLATE PER ASTM-B-633 .000200-.000400 THK WITH SUPPLEMENTARY CHROMATE (Cr3+).

6	5-208876-1
5	208876-1
REMARKS	PART NO

THIS DRAWING IS A CONTROLLED DOCUMENT.

DIMENSIONS: INCHES	TOLERANCES UNLESS OTHERWISE SPECIFIED:	0 PLC ± -	1 PLC ± -	2 PLC ± -	3 PLC ± .005	4 PLC ± -	ANGLES ± -
--------------------	--	-----------	-----------	-----------	--------------	-----------	------------

MATERIAL: SEE CALLOUTS

FINISH: SEE CALLOUTS

DNW	C.C.THOMAS	1-8-88
CHK	F.C.BALLEW III	1-25-88
APVD		

PRODUCT SPEC: -

APPLICATION SPEC: -

WEIGHT: 0.000000

CUSTOMER DRAWING

SCALE: 4:1

SHEET 1 OF 1

REV J

STE TE Connectivity

AMPLIMITE 78 POSN. RCPT. ASSY., WITH LOADED POSTED CONTACTS, SIZE 5, SERIES 90

SIZE: A1

CAGE CODE: 00779

DRAWING NO: C=208876