

注記:  
NOTES:

- ① 材質: TABLE 1参照  
MATERIAL: SEE TABLE 1.
- ② 偶数極に適用。  
APPLY FOR EVEN CIRCUIT.
- ③ 製品仕様書、コネクタ取扱説明書、適合嵌合相手、適合ターミナルはSHEET 2をご参照ください。  
PLEASE REFER TO SHEET 2 FOR PRODUCT SPECIFICATION, APPLICATION SPECIFICATION, MATE WITH AND APPLICABLE TERMINAL.
- ④ 発注番号  
ORDER NUMBER

214092 20\*0

極数  
CIRCUIT SIZE

① TABLE 1

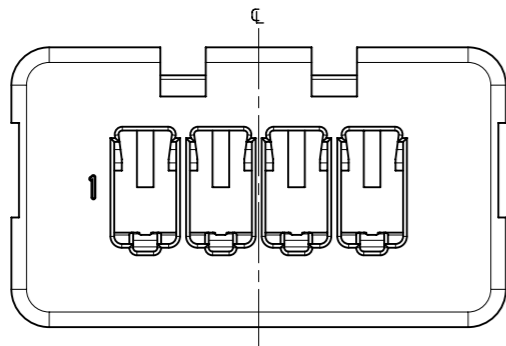
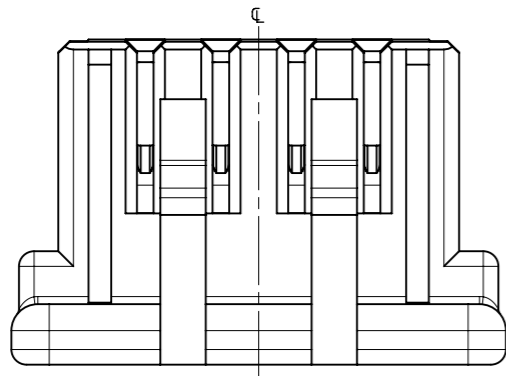
|                   |     |       |                        |                    |
|-------------------|-----|-------|------------------------|--------------------|
| ポリ袋<br>POLYBAG    | 7.0 | 10.54 | 214092 2080            | 8                  |
|                   | 6.0 | 9.54  | 214092 2070            | 7                  |
|                   | 5.0 | 8.54  | 214092 2060            | 6                  |
|                   | 4.0 | 7.54  | 214092 2050            | 5                  |
|                   | 3.0 | 6.54  | 214092 2040            | 4                  |
|                   | 2.0 | 5.54  | 214092 2030            | 3                  |
|                   | 1.0 | 4.54  | 214092 2020            | 2                  |
| 梱包形態<br>PACKAGING | B   | A     | ④ 発注番号<br>ORDER NUMBER | 極数<br>CIRCUIT SIZE |

|   |       |                            |         |                          |                 |          |
|---|-------|----------------------------|---------|--------------------------|-----------------|----------|
| THIS DRAWING CONTAINS INFORMATION THAT IS PROPRIETARY TO MOLEX ELECTRONIC TECHNOLOGIES, LLC AND SHOULD NOT BE USED WITHOUT WRITTEN PERMISSION |       | CURRENT REV DESC:          |         | <b>molex</b>             |                 |          |
| DIMENSION UNITS   | SCALE |                            |         |                          |                 |          |
| mm  | NTS   |                            |         | PRODUCT CUSTOMER DRAWING |                 |          |
| GENERAL TOLERANCES<br>(UNLESS SPECIFIED)  |       |                            |         | DOCUMENT NUMBER          |                 |          |
| ANGULAR TOL ± 3.0°  |       |                            |         | 2140920000-SD            |                 |          |
| 4 PLACES ± 0.2  |       | EC NO: 688260              |         | DOC TYPE                 |                 |          |
| 3 PLACES ± 0.2  |       | DRWN: AISHIKAWA 2021/07/16 |         | PSD                      |                 |          |
| 2 PLACES ± 0.2  |       | CHK'D: AIDA 2021/12/13     |         | DOC PART                 |                 |          |
| 1 PLACE ± 0.2   |       | APPR: SAKIYAMA 2021/12/13  |         | 000                      |                 |          |
| 0 PLACES ± 0.2  |       | INITIAL REVISION:          |         | REVISION                 |                 |          |
|   |       | DRWN: AISHIKAWA 2021/07/16 |         | A                        |                 |          |
|   |       | APPR: SAKIYAMA 2021/12/13  |         |                          |                 |          |
| DRAFT WHERE APPLICABLE<br>MUST REMAIN<br>WITHIN DIMENSIONS  |       | THIRD ANGLE PROJECTION     | DRAWING | SERIES                   | MATERIAL NUMBER | CUSTOMER |
|   |       |                            | A3-SIZE | 214092                   | SEE SHEET1      | GENERAL  |
|   |       |                            |         | SHEET NUMBER             | 1 OF 2          |          |

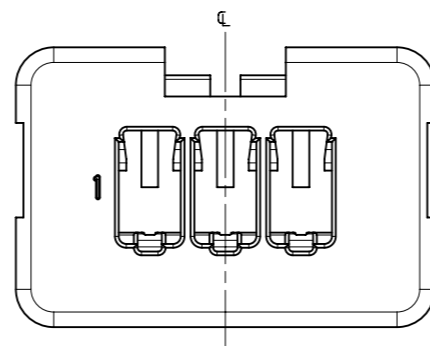
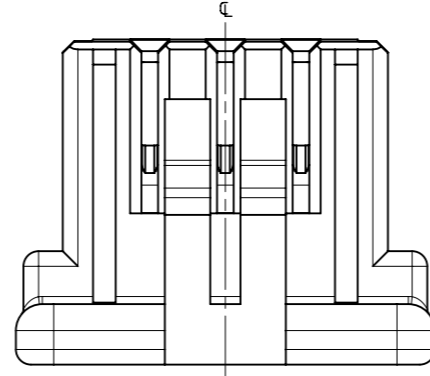
| 部品<br>PART       | 材質<br>MATERIAL  |
|------------------|---|
| ハウジング<br>HOUSING | ポリアミド(PA),ガラス充填,UL94 V-0,色: 黒<br>POLYAMIDE (PA),GLASS FILLED,UL94 V-0,COLOR:BLACK |
| DOCUMENT STATUS  | P1  |
| RELEASE DATE     | 2021/12/13 10:05:04   |

# 極数別ロック形状

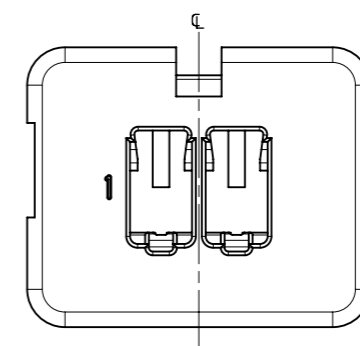
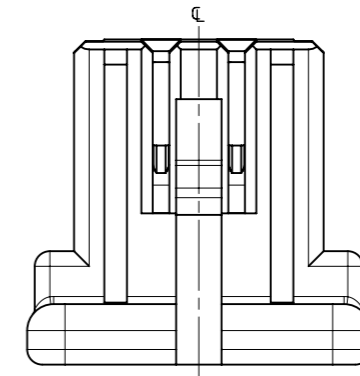
LOCK SHAPE AT EACH CIRCUIT



4 ~ 8極形状(2ロック)  
VIEW OF 4~8 CIRCUIT(2 LOCKS)



3極形状(2ロック)  
VIEW OF 3 CIRCUIT(2 LOCKS)



2極形状(1ロック)  
VIEW OF 2 CIRCUIT(1 LOCK)

## △ 適用製品及び各種仕様書

APPLICABLE PRODUCTS AND VARIOUS SPECIFICATIONS

|  |                          |                        |                         |
|--|--------------------------|------------------------|-------------------------|
| 梱包仕様書<br>PACKAGING SPECIFICATION       | 2140929200-SPK 200       |                        |                         |
| 適合ターミナル<br>APPLICABLE TERMINAL         | 製品番号<br>PART NUMBER      | めっきタイプ<br>PLATING TYPE | 電線サイズ<br>WIRE SIZE(AWG) |
|  | 2140935000<br>2140935100 |                        | TIN                     |
| 適合嵌合相手<br>MATE WITH                    | 電線対基板 WIRE TO BOARD      |                        |                         |
|  | TIN PLATING              |                        |                         |
| シリーズ番号<br>SERIES NUMBER                | VERTICAL                 | RIGHT ANGLE            |                         |
|  | 2-8 CIRCUIT              |                        |                         |
| 製品仕様書<br>PRODUCT SPECIFICATION         | 214094                   | 214097                 |                         |
| コネクタ取扱説明書<br>APPLICATION SPECIFICATION | 2166940000-AS 000        |                        |                         |

製品嵌合図は各嵌合相手図面を参照のこと  
MATING VIEW : REFER TO EACH "MATE WITH" PART DRAWING.

|   |         |  |            |        |                 |          |              |          |          |          |
|---|---------|--|------------|--------|-----------------|----------|--------------|----------|----------|----------|
| THIS DRAWING CONTAINS INFORMATION THAT IS PROPRIETARY TO MOLEX ELECTRONIC TECHNOLOGIES, LLC AND SHOULD NOT BE USED WITHOUT WRITTEN PERMISSION |         |  |            |        |                 |          |              |          |          |          |
| DIMENSION UNITS   | SCALE   | CURRENT REV DESC:  |            |        |                 |          |              |          |          |          |
| mm  | NTS     | <p>ONEBLADE1.0 WTB<br/>SINGLE ROW RECEPTACLE HOUSING</p> <p>PRODUCT CUSTOMER DRAWING</p> |            |        |                 |          |              |          |          |          |
| GENERAL TOLERANCES (UNLESS SPECIFIED)   |         |  |            |        |                 |          |              |          |          |          |
| ANGULAR TOL   | ± 3.0 ° |  |            |        |                 |          |              |          |          |          |
| 4 PLACES  | ± 0.2   |  |            |        |                 |          |              |          |          |          |
| 3 PLACES  | ± 0.2   |  |            |        |                 |          |              |          |          |          |
| 2 PLACES  | ± 0.2   |  |            |        |                 |          |              |          |          |          |
| 1 PLACE   | ± 0.2   | EC NO: 688260  | 2021/07/16 |        | DOCUMENT NUMBER |          |              | DOC TYPE | DOC PART | REVISION |
| 0 PLACES  | ± 0.2   | DRWN: AISHIKAWA  | 2021/12/13 |        | 2140920000-SD   |          |              | PSD      | 000      | A        |
| DRAFT WHERE APPLICABLE MUST REMAIN WITHIN DIMENSIONS  |         | THIRD ANGLE PROJECTION   | DRAWING    | SERIES | MATERIAL NUMBER | CUSTOMER | SHEET NUMBER |          |          |          |
|   |         |  | A3-SIZE    | 214092 | SEE SHEET1      | GENERAL  | 2 OF 2       |          |          |          |