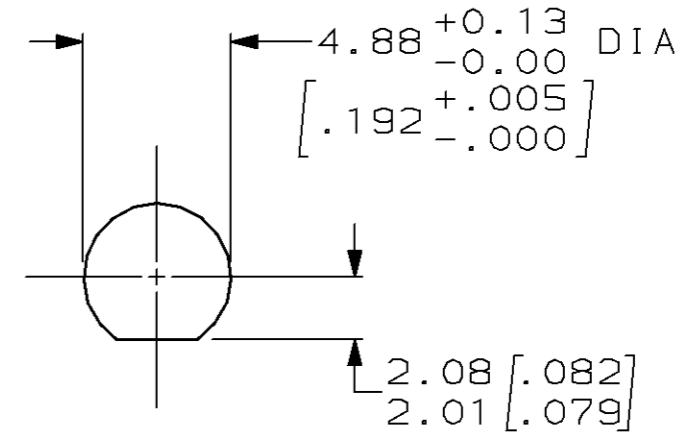
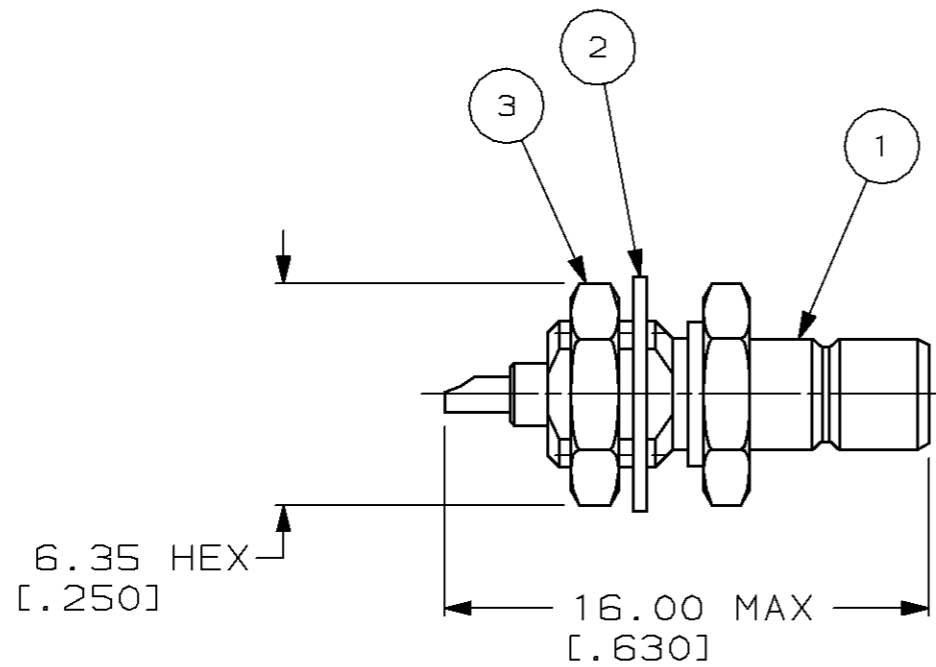


THIS DRAWING IS UNPUBLISHED. RELEASED FOR PUBLICATION, 19 .
 © COPYRIGHT 19 BY AMP INCORPORATED. ALL INTERNATIONAL RIGHTS RESERVED.

LOC	DIST	P	F	REVISIONS				
				ZONE	LTR	DESCRIPTION	DATE	APPD
AJ	16				B	REDRAWN ON CAD & REV PER ECN AJ-5848	3-23-92	-
					C	REV PER 0220-0269-95	25/APR/95	BMW
					D	REV PER 0220-0747-95	4-08-96	JC



SUGGESTED PANEL CUT-OUT

OBSOLETE	41 4969-2	41 5001-2	228220-2	228216-2
	41 4969-2	41 5001-2	228220-1	228216-1
	③ JAM NUT QTY=1	② LOCKWASHER QTY=1	① BULKHEAD ASSEMBLY QTY=1	PART NUMBER

DO NOT SCALE PRINT. UNLESS SPECIFIED DIMENSIONS IN mm [INCHES] TOLERANCES ON: 2 PLC DEC ± - 3 PLC DEC ± - ANGLES ± -	DR 3-23-92 J GALLUCCI BG	AMP AMP Incorporated Harrisburg, PA 17105-3608
	CHK 01/04/93 G.MICHAEL	
	APPD 01/04/93 G.MICHAEL	
	APPD 01/04/93 J.DAVIS	
MATERIAL -	PRODUCT SPEC -	NAME CONNECTOR, COAXIAL, R.F. SERIES SMB FRONT MOUNT BULKHEAD RECEPTACLE
FINISH -	APPLICATION SPEC -	SIZE B CAGE CODE 00779 DRAWING NO 228216
	WEIGHT -	SCALE 4:1 SHEET 1 OF 1