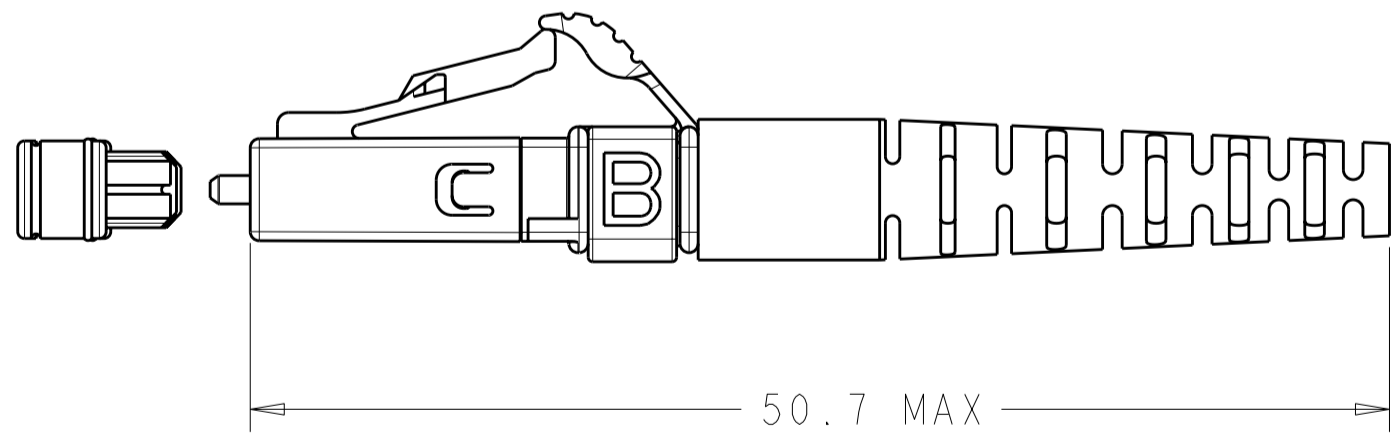
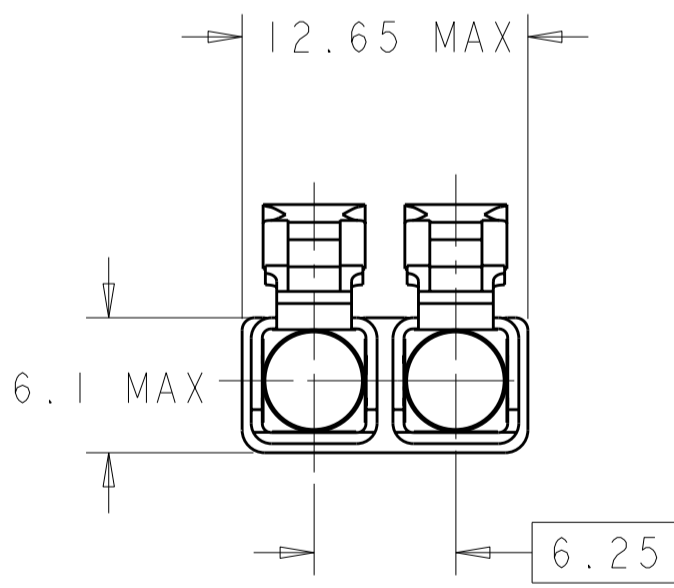
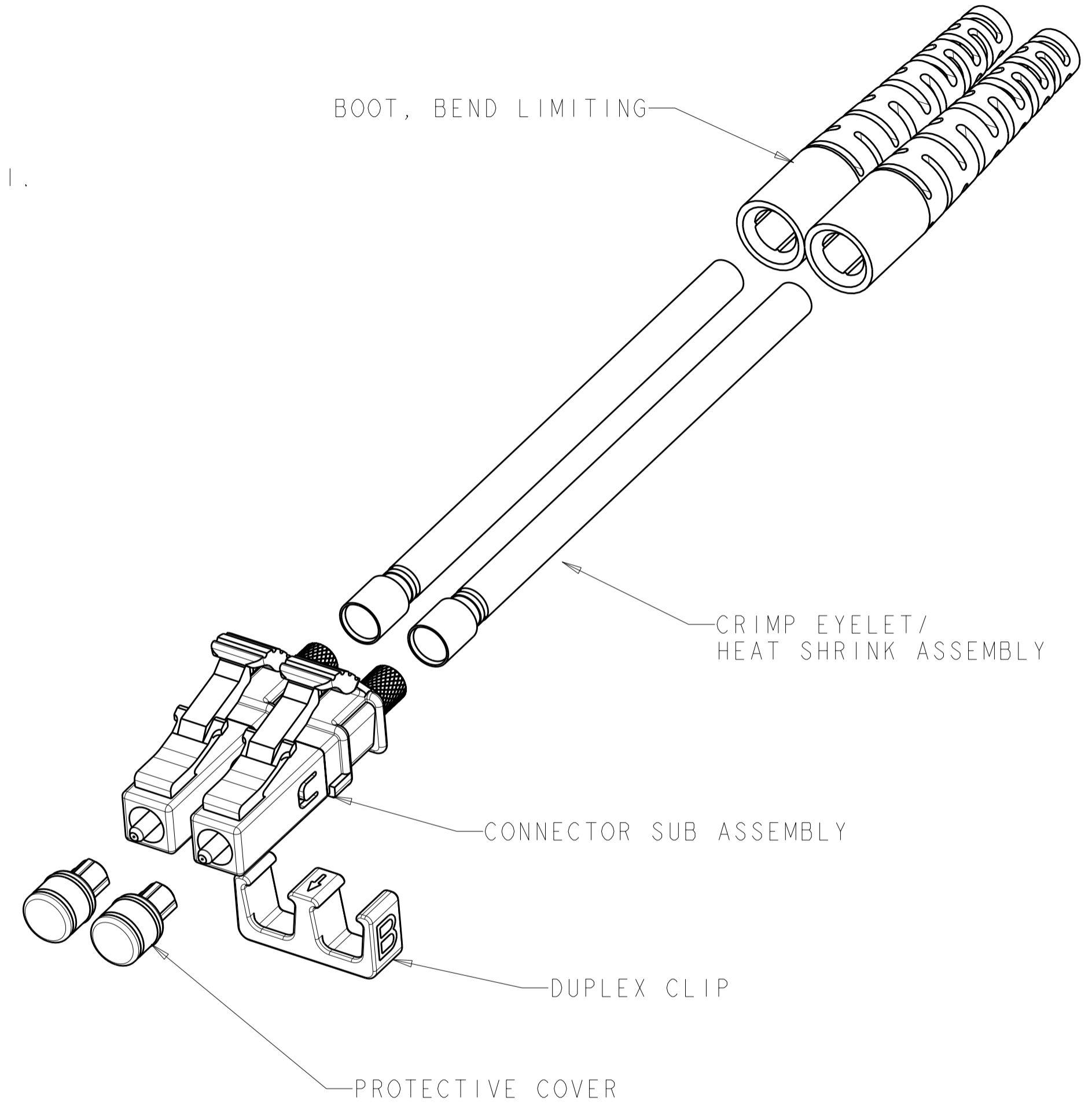
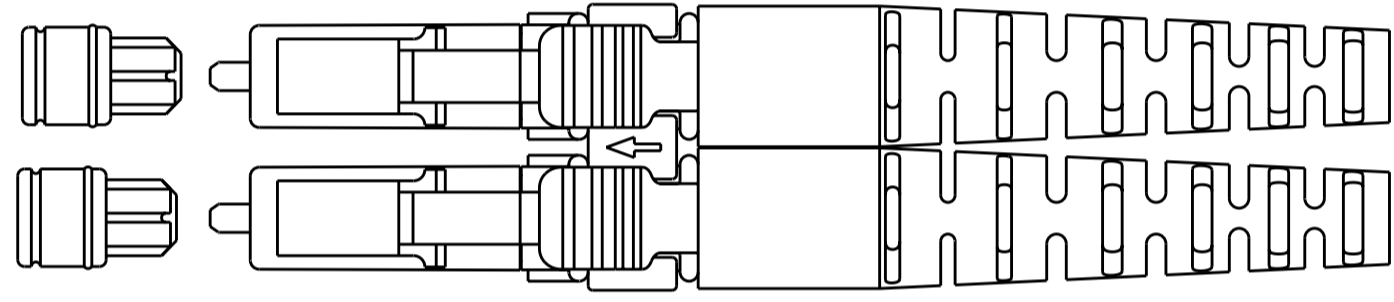


THIS DRAWING IS UNPUBLISHED. RELEASED FOR PUBLICATION 20
 © COPYRIGHT 20 BY TYCO ELECTRONICS CORPORATION. ALL RIGHTS RESERVED.

LOC	DIST	REVISIONS			
P	LTR	DESCRIPTION	DATE	DWN	APVD
CE	00	A	RELEASE TO ACTIVE STATUS	09JUN2006	ESM DR
		AI	PRINT STANDARDIZATION	23JUL2008	BB CB

① MATERIAL: PROTECTIVE COVER: TPE, COLOR:BLACK, UL 94 HB. *
 FERRULE SUB ASSEMBLY: ZIRCONIA/METAL.
 COMPRESSION SPRING: STAINLESS STEEL
 FRONT HOUSING: PEI, COLOR:BEIGE, UL 94 V-0. *
 INNER TUBING: PTFE, COLOR:CLEAR, UL VW-1.
 REAR BODY: PEI/METAL, COLOR:BEIGE, UL 94 V-0. *
 DUPLEX CLIP: PEI, COLOR:BEIGE, UL 94 V-0. *
 BOOT: PP, COLOR:BEIGE, UL 94 V-0. *
 CRIMP EYELET/HEAT SHRINK ASSY: ALUM. ALLOY, HEAT SHRINK: POLYOLEFIN, UL VW-1.
 *RATED AT QUALIFYING THICKNESS.

② BULK PACKAGED
 3. INSTRUCTION SHEET: 408-8675.



②	YELLOW / WHITE	6588707-4
	YELLOW / WHITE	6588707-3
②	WHITE	6588707-2
	WHITE	6588707-1
	HEAT SHRINK COLOR	PART NUMBER

DIMENSIONS:		TOLERANCES UNLESS OTHERWISE SPECIFIED:		DWN		Tyco Electronics	
mm		0 PLC	±	E. HOPKINS	01 JUN 2005	Tyco Electronics Harrisburg, PA 17105-3608	
		1 PLC	±	CHK	01 JUN 2005	NAME	
		2 PLC	±	D. ROHDE	01 JUN 2005	KIT, CONNECTOR, LC, DUPLEX, MM, 1.6-20. mm JACKET	
		3 PLC	±	APVD	01 JUN 2005	SIZE	CAGE CODE
		4 PLC	±	S. BUCHTER		A2	00779
		ANGLES	±			DRAWING NO	6588707
		FINISH				RESTRICTED TO	
MATERIAL	①					SCALE	3:1
						SHEET	1
						OF	1
						REV	AI