

THIS DRAWING IS UNPUBLISHED.

RELEASED FOR PUBLICATION

REVISIONS

© COPYRIGHT - By -

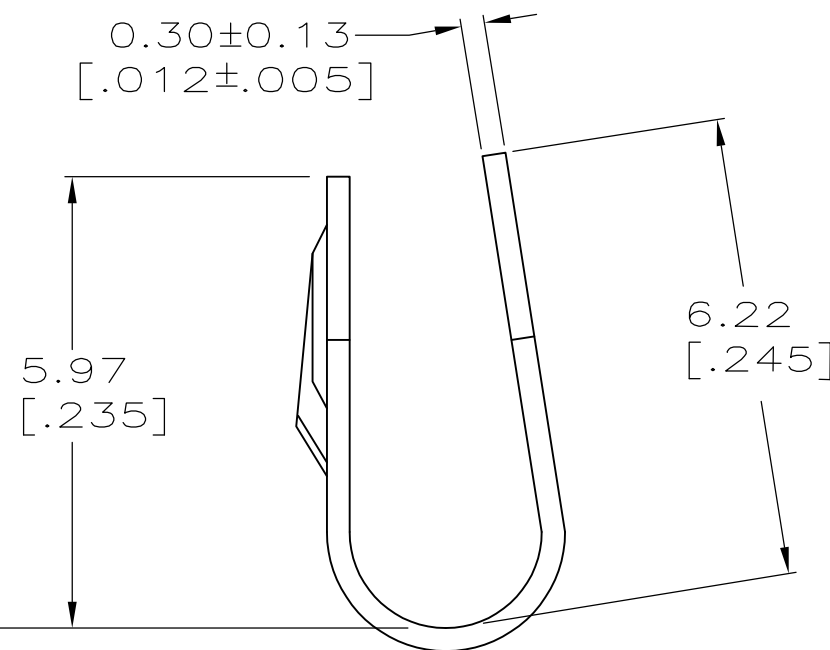
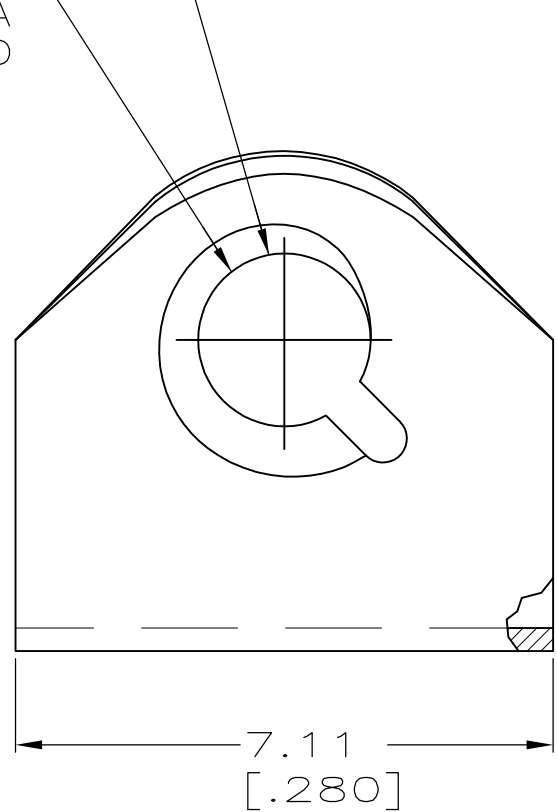
ALL RIGHTS RESERVED.

P	LTR	DESCRIPTION	DATE	DWN	APVD
	C	REVISED PER ECO-16-013469	13OCT2016	AP	DG

① STAINLESS STEEL PER ASTM A666.

MUST ACCEPT 4-40 UNC-2A THREAD

#4-40 UNC



745564-1  
PART NUMBER

THIS DRAWING IS A CONTROLLED DOCUMENT.		DWN B. MOYER 07/26/90	<b>STE</b> TE Connectivity		
DIMENSIONS: INCHES		CHK R. STONE 8-2-90			
TOLERANCES UNLESS OTHERWISE SPECIFIED:		APVD B. TAYLOR 8-2-90	NAME SCREW RETAINER, HDE		
0 PLC ± -		PRODUCT SPEC J. ASSINI 8-3-90	APPLICATION SPEC		
1 PLC ± -		SIZE A3			
2 PLC ± 0.51 [.020]		CAGE CODE 00779			
3 PLC ± -		DRAWING NO C-745564			
4 PLC ± -		RESTRICTED TO			
ANGLES ± -		WEIGHT 0.000000			
MATERIAL ①		CUSTOMER DRAWING			
FINISH -		SCALE 10:1			
		SHEET 1 OF 1			
		REV C			