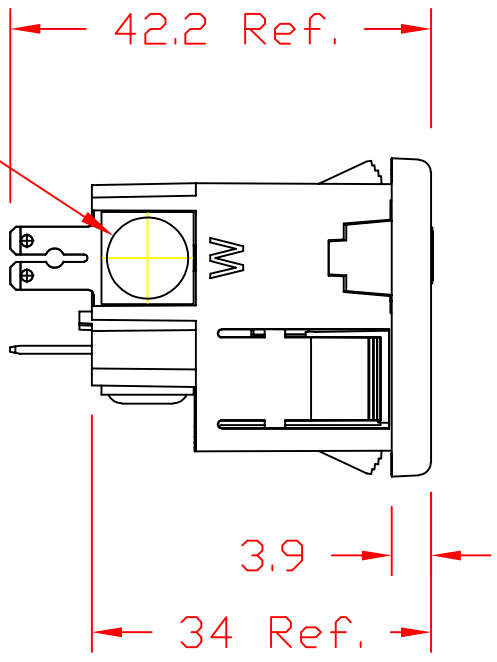


3X SCREWS 8-32 WITH SQUARE WASHER



MAX. PANEL THICKNESS: .81-2.00mm (.032"-.079")

THIS DOCUMENT AND ITS CONTENTS ARE THE PROPRIETARY CONFIDENTIAL PROPERTY OF INTERPOWER CORPORATION. NO USE OR COPIES MAY BE MADE WITHOUT WRITTEN PERMISSION FROM INTERPOWER CORPORATION.			
REV	CHANGE DESCRIPTION	DATE	INITIALS
B	Remove tolerance info and replace with "Ref"	6-3-22	JPC
A	Drawing Released	9-25-12	RLB

DIMENSIONS IN MILLIMETERS	
DRAFT BY: RLB	DATE: 9-25-12
DRAFTING APPROVAL:	DATE:
MATERIAL:	

TITLE	NEMA 5-15 Socket
PART NUMBER:	88211100
DO NOT SCALE	INTERPOWER CORPORATION
SHEET 1 OF 1	