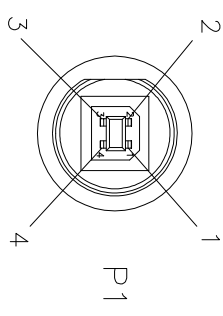
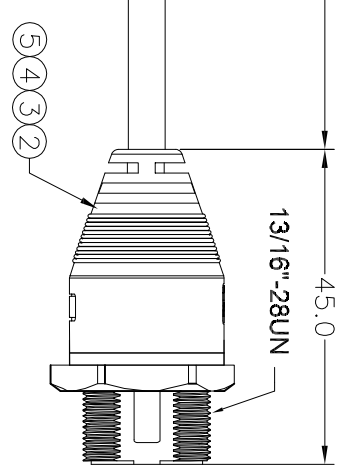
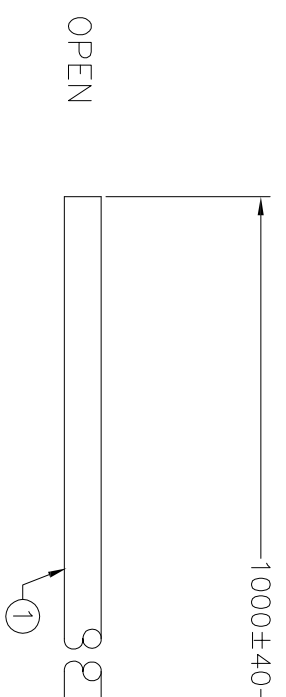
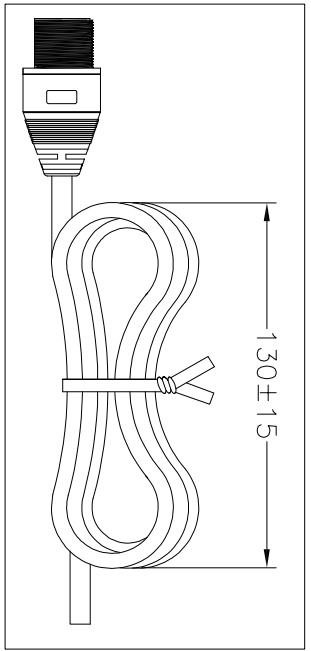


1	2	3	4	5	6	7	A
1	2	3	4	5	6	7	B
1	2	3	4	5	6	7	C
1	2	3	4	5	6	7	D
1	2	3	4	5	6	7	E
1	2	3	4	5	6	7	F
1	2	3	4	5	6	7	G
1	2	3	4	5	6	7	H



WIRE LIST

PAIR	COLOR	P1
	RED	1
	WHITE	2
	GREEN	3
	BLACK	4
OPEN	Drain+Braid	SHELL



ITEM	SPECIFICATION	Q'TY	UNIT
⑤	BLACK PVC 30P	12	9
④	HD PE	4	9
③	BRASS WITH NI PLATED,13/16"-28UN SHELLED	1	SET
②	USB B/M CONNERTOR SOLDER ABS 94V-0. BLACK	1	PCS
①	USB 2.0 28AWG*1P+24AWG*2C+AL.MY+D+B JACKET BALCK PVC OD=5.0mm (UV RESISTANT)	1	PCS

- TESTING CONDITIONS:
- VOLTAGE:300V DC/0.01S.
 - INSULATION RESISTANCE: 10 Mohms min.
 - CONDUCTIVE RESISTANCE: 5 Ohms max.
 - 100% OPEN AND SHORT ELECTRICAL TEST.

RoHS compliant
Unit: mm

Scale	Free	Free	Free	Free
TOLERANCE				
X.X	±0.50	④	Update to new drawing	16.03.2018
X.XX	±0.20	③	Update	16.09.2013
DIM	TOL	②	Update	07.07.2009
X.°	±2°	①	Drawn	31.05.2007
X.X°	±1°			
Angle	TOL	Id.	Modification	

Customer-No.	Date	Name	Customer-No.	Drawing-No.	Rev
	31.05.2007	Hellwig		ASSMANN WSW-No.	
	16.03.2018	Any		A-KAB-USBB-FS-1M	
				ASSMANN	
				ASS 2240 CA	rev04



Replace Sheet