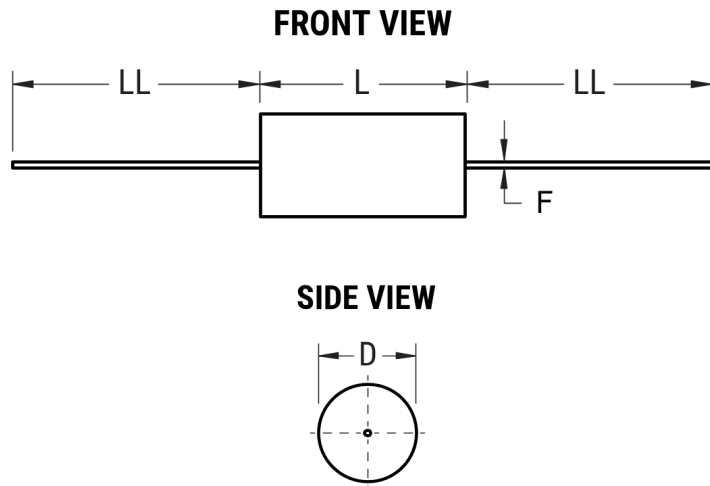


A50PF1470AA60M

Aliases (50PF1470AA60M)

A50, Film, Metallized Polyester, Automotive Grade, 4700 pF, 20%, 220 VAC, 630 VDC, 85°C



Click [here](#) for the 3D model.

Dimensions	
D	5mm MAX
L	11mm MAX
LL	40mm +/-5mm
F	0.6mm +/-0.05mm

Packaging Specifications	
Packaging	Bulk, Bag
Packaging Quantity	1500

General Information	
Series	A50
Dielectric	Metallized Polyester
Style	Axial
Features	Automotive Grade
RoHS	Yes
Lead	Wire Leads
Qualifications	AEC-Q200
AEC-Q200	Yes
Component Weight	0.4 g
Miscellaneous	Above 85C DC And AC Voltage Derating Is 1.25%/C. maxK0 = 25000.

Specifications	
Capacitance	4700 pF
Capacitance Tolerance	20%
Voltage AC	220 VAC
Voltage DC	630 VDC, 472.5 VDC (105C)
Temperature Range	-55/+105°C
Rated Temperature	85°C
Dissipation Factor	0.8% 1kHz, 1.2% 10kHz, 2.5% 100kHz
Insulation Resistance	30 GOhms
Max dV/dt	20 V/us
Inductance	7 nH