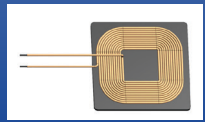


# 20W Wireless Charging Transmitter Coil



AWCCA-TX535315-101



53.0 x 53.0 x 4.5mm  
RoHS/RoHS II Compliant  
MSL = 1

## Features

- Ideal for 20W applications
- Dimensions: 52.0 x 35.0 x 1.76 mm
- High permeability shielding to protect sensitive electronics
- Very high-power density
- Low DCR
- Wide temperature range

## Applications

- Batteries and battery chargers
- Charging accessories and fast chargers
- Portable electronics
- Roamable electronics
- Drones and robotics
- IoT and industrial IoT
- Power tools
- AR / VR
- Wearables

## Maximum Ratings

Item	Value
Operating Temperature Range	T = -40°C ~ 85°C, RH 65±20%
Storage Temperature Range	T = -40°C~85°C, RH 65±20%

## Electrical Specifications

Part Number	Inductance	DC Resistance	Q
AWCCA-TX535315-101	10µH±10%	55mΩ Max	135 Typ
Test Condition	125KHz / 1V	20±15°C	125KHz/1V
Test Environment	Temperature: 20±15°C, RH: 65% ±20%. Equipment: HP4284A, HP42841A , Agilent 34420A or equivalent		

### Test Conditions

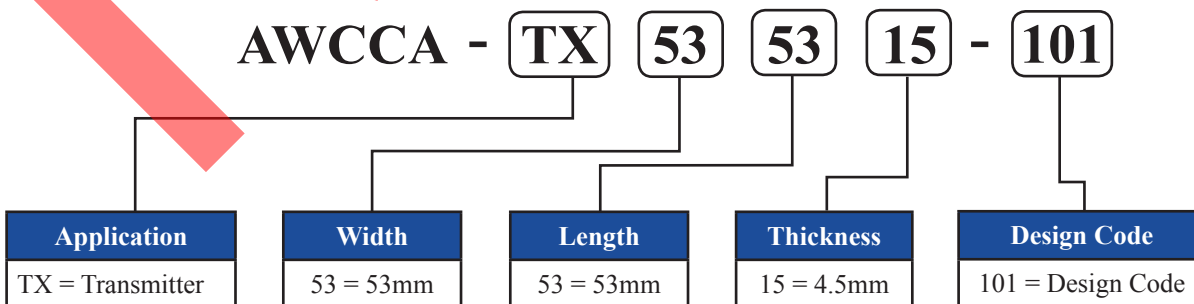
Ambient Temperature: 20±15°C, RH: 65% ±20%.

If any doubt on the results, measurements/tests should be made within the following limits:

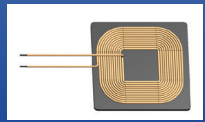
Ambient Temperature: 25±5°C, RH: 75%±10%

## Part Identification

AWCCA - TX 53 53 15 - 101



# 20W Wireless Charging Transmitter Coil



AWCCA-TX535315-101

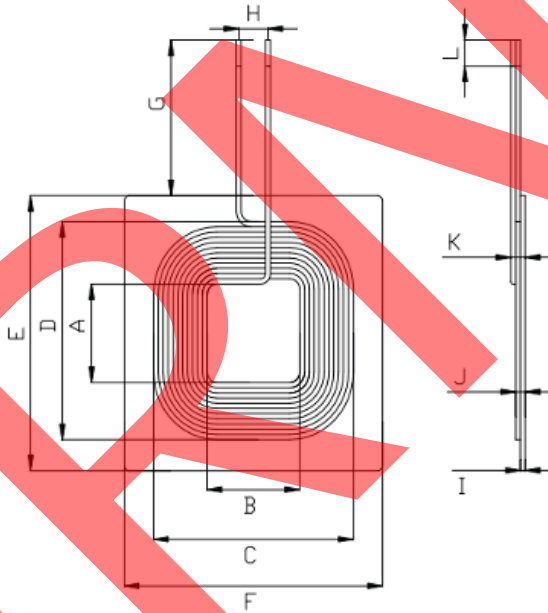


53.0 x 53.0 x 4.5mm  
RoHS/RoHS II Compliant  
MSL = 1

## Product Image



## Mechanical Dimensions (Unit: mm)



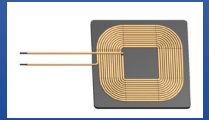
Dimensions of AWCCA-TX535315-101

Item	A	B	C	D	E	F	G	H	I	J	K
Spec	19.00	19.00	45.50	45.50	53.00	53.00	40.00	6.00	1.50	2.60	4.50
Tol	±0.50	±0.50	±1.50	±1.50	±1.50	±1.50	±2.00	±2.00	±0.20	±0.30	Max

Winding Details of AWCCA-TX535315-101

Number of Coils	Wire	Number of Turns	Inductance
1	USTC Wire - 40AWG (0.08mm)*105P	12 Turns, 1 Layer	10µH±10%
Magnetic Sheet		Format	
Soft Ferrite		1 layer / 53*53*1.5	

# 20W Wireless Charging Transmitter Coil



AWCCA-TX535315-101



53.0 x 53.0 x 4.5mm  
RoHS/RoHS II Compliant  
MSL = 1

## Soldering Information

### Wave Soldering Profile:

Not suitable for wave soldering

### Manual Soldering:

350°C Max, 3secs

## Packaging

- Qty per Tray: 150pcs
- Qty Trays per Carton: 4
- Qty per Carton: 600pcs
- Weight per Tray: 12Kg
- Dimension of Carton: 41.5 \* 30.0 \* 30.0cm

## Storage and Operational Condition

### Storage Conditions:

- Recommended storage conditions: -40°C~85°C, RH 65±20%
- Service life: 12 Month @40°C, RH 40 ~ 65%.
- The appearance and solder ability should be check, if product is not in expiry date.

### Operation Conditions:

- Use condition limit: T= -40°C ~ 85°C, RH 65±20%.