

# DD52R | Mechanical position indicators

direct drive, 5-digit counter, technopolymer

INCH

INOX  
STAINLESS  
STEEL

RoHS

PA

PA-T

+176 °F  
+32 °F

- 1
- 2
- 3
- 4
- 5
- 6
- 7
- 8
- 9
- 10
- 11
- 12
- 13
- 14
- 15
- 16
- 17
- 18

## BASE AND CASE

High-resistance polyamide based (PA) technopolymer.  
Black base.

Case in the following colours:

- **C2**: RAL 2004 orange, glossy finish.
- **C3**: RAL 7035 grey, glossy finish.
- **C1**: RAL 7021 grey-black, glossy finish.

The ultrasonic welding between the base and the case prevents separation and avoids dust penetration.

## WINDOW

Transparent polyamide based (PA-T) technopolymer, moulded over the case and with a perfect seal. Resistant to solvents, oils, greases and other chemical agents (avoid contact with alcohol during cleaning operations).

## DISPLAY

It indicates the displacement of the mechanism controlled by the spindle from the start position (0).

Five-digit roller counter. The digits of red rolls show the decimal values. An additional graduated scale next to the last decimal digit offers further accuracy of reading.

The display can be in different positions (see "Table of the possible combinations").

- **AN**: inclined display, counter in upper position.
- **AR**: inclined display, counter in lower position.
- **FN**: front display, counter in upper position.
- **FR**: front display, counter in lower position.

## INTERNAL GASKET

O-ring front sealing in NBR synthetic rubber, between the case and the boss.

## REAR GASKET

Foam polyethylene, supplied.

## STANDARD EXECUTION

Black-oxide steel boss with DIA 0.75 (Ø 19.05 mm) standard reamed hole, fitting to shaft by means of a grub screw with hexagon socket and cup end, included in the supply.

- **DD52R**: black-oxide steel boss.
- **DD52R-SST**: INOX AISI 303 stainless steel boss.

## DIRECTION OF ROTATION

- **D**: clockwise. Increasing values with clockwise rotation of the boss.
- **S**: anti-clockwise. Increasing values with anti-clockwise rotation of the boss.

## WEIGHT

0.213 lbs

## FEATURES AND APPLICATIONS

Direct drive digital position indicators can be assembled on passing through spindles in any position to give direct reading of the positioning of a machine component. They are suitable also for motor driven applications (see "Table of the possible combinations").

## ERGONOMY AND DESIGN

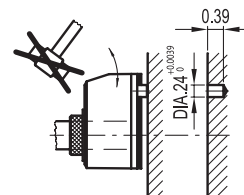
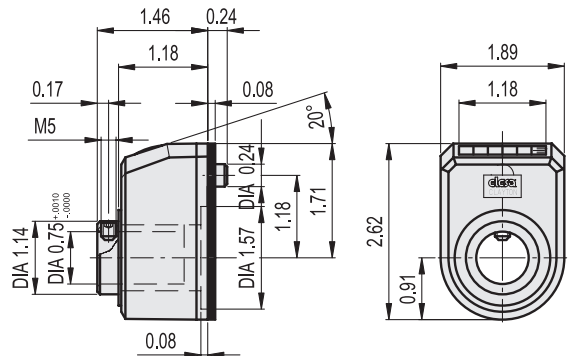
Compact roller counter, ergonomically designed digits for rapid reading. The readability of the counter is increased by the magnifying window.

## ASSEMBLY INSTRUCTIONS











1. Drill a DIA 0.24 by 0.39 (Ø 6 mm by Ø 10 mm) hole in the body of the machine with a 1.18 (30 mm) centre distance from the spindle to fit the rear referring pin.
2. Set the spindle to the start or referring position.
3. Fit the indicator with the zeroed roller counter onto the spindle and make sure that the referring pin fit the hole.
4. Clamp the boss to the spindle by tightening the grub screw with hexagon socket and cup end.



ELESA Original design



Example of description for ordering

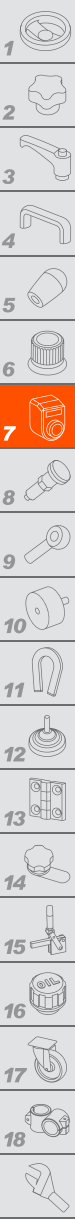
<b>DD52R</b>	-	<b>AN</b>	-	<b>00001</b>	-	<b>D</b>	-	<b>C2</b>	-	<b>SST</b>
<b>Series</b>		<b>Display position</b>		<b>Reading of the counter after one revolution</b>		<b>Increasing numbering</b>		<b>Colour</b>		<b>Stainless steel boss</b>
 AN		 AR		The internal mechanism counts also the figures between brackets (even if they do not appear on the display).		 D clockwise		 C2 RAL 2004		 To add only for the version with stainless steel boss
 FN		 FR				 S anti-clockwise		 C3 RAL 7035		 C1 RAL 7021

0 0 0 0 1	0 0 0 0 1	0 0 0 0 1	0 0 0 0 1	Pitch	Speed (rpm) *
				threads per inch	inches per threads
00001	0000.1	000.01	00.001	10	0.1
00004	0000.4	000.04	00.004	2.5	0.4
00005	0000.5	000.05	00.005	2	0.5
00009(6)	0000.9(6)	000.09(6)	00.009(6)	-	0.96
00010	0001.0	000.10	00.010	1.0	1.0
00012(5)	0001.2(5)	000.12(5)	00.012(5)	8	1.25
00015	0001.5	000.15	00.015	-	1.5
00015(8)	0001.5(8)	000.15(8)	00.015(8)	-	1.58
00015(75)	0001.5(75)	000.15(75)	00.015(75)	-	1.575
00016(07)	0001.6(07)	000.16(07)	00.016(07)	-	1.607
00017(5)	0001.7(5)	000.17(5)	00.017(5)	-	1.75
00019(6875)	0001.9(6875)	000.19(6875)	00.019(6875)	-	1.96875
00020	0002.0	000.20	00.020	5	2.0
00025	0002.5	000.25	00.025	4	2.5
00025(4)	0002.5(4)	000.25(4)	00.025(4)	-	2.54
00030	0003.0	000.30	00.030	-	3.0
00031(5)	0003.1(5)	000.31(5)	00.031(5)	-	3.15
00031(75)	0003.1(75)	000.31(75)	00.031(75)	-	3.175
00035	0003.5	000.35	00.035	-	3.5
00038(095)	0003.8(095)	000.38(095)	00.038(095)	-	3.8095
00039(375)	0003.9(375)	000.39(375)	00.039(375)	-	3.9375
00040	0004.0	000.40	00.040	2.5	4.0
00042(9)	0004.2(9)	000.42(9)	00.042(9)	-	4.29
00050	0005.0	000.50	00.050	2	5.0
00050(8)	0005.0(8)	000.50(8)	00.050(8)	-	5.08
00052(94)	0005.2(94)	000.52(94)	00.052(94)	-	5.294
00056(47)	0005.6(47)	000.56(47)	00.056(47)	-	5.647
00060	0006.0	000.60	00.060	-	6.0
00062(5)	0006.2(5)	000.62(5)	00.062(5)	-	6.25
00063(5)	0006.3(5)	000.63(5)	00.063(5)	-	6.35
00066	0006.6	000.66	00.066	-	6.6
00070	0007.0	000.70	00.070	-	7.0
00075	0007.5	000.75	00.075	-	7.5
00076(923)	0007.6(923)	000.76(923)	00.076(923)	-	7.6923
00078(75)	0007.8(75)	00078(75)	00.078(75)	-	7.875
00080	0008.0	000.80	00.080	1.25	8.0
00090	0009.0	000.90	00.090	-	9.0
00100	0010.0	001.00	00.100	10	10.0
00105	0010.5	001.05	00.105	-	10.5
00118(125)	0011.8(125)	001.18(125)	00.118(125)	-	11.8125
00119(05)	0011.9(05)	001.19(05)	00.119(05)	-	11.905
00120	0012.0	001.20	00.120	-	12.0
00130	0013.0	001.30	00.130	-	13.0
00150	0015.0	001.50	00.150	-	15.0
00160	0016.0	001.60	00.160	-	16.0
00200	0020.0	002.00	00.200	5	20.0

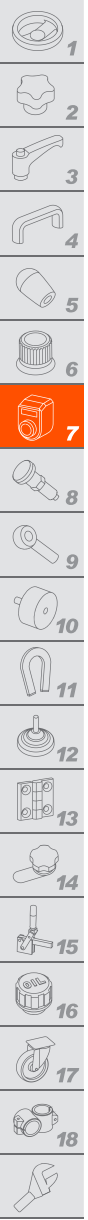
\* The maximum rotation speed (rpm) of the spindle reported in the table corresponds to a maximum rotation of 2500 units of the last roll on the right of the counter.

Rotational speed tests have been performed in our laboratory under standard operating conditions.

Small misalignments (not compromising the correct reading) of counter digits can occur due to high tolerances between gear teeth, designed to prevent damage from sudden acceleration or stop.



Position indicators



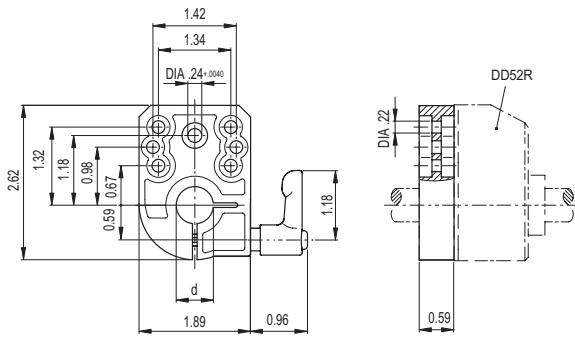
**SPECIAL EXECUTIONS ON REQUEST**

- Special readings after one revolution.
- Case in different colours.
- Completely sealed digital position indicators with IP 67 protection class, see table EN 60529 table (on page A-19) obtained by means of a brass bushing with double seal ring inside the rear cavity of the base.

**ACCESSORIES ON REQUEST (TO BE ORDERED SEPARATELY)**

- **MDX-52:** polyamide based (PA) technopolymer knob.
- **BSA-N52:** zinc die-cast bases for spindle locking, epoxy resin coating, black colour, matte finish (see table). Type GN 302 adjustable handle. BSA52R locking bases allow an easy and quick locking of the spindles after their positioning. They are equipped with a DIA 0.24 (Ø 6.1 mm) hole to fit the referring pin of the indicator. They can be assembled with the handle either on the right or on the left and can be fitted to the machine by means of two M5 cylindrical-head screws (not included in the supply).

- **RB52:** black-oxide steel reduction sleeves.
- **RB52-SST:** AISI 304 stainless steel reduction sleeves.

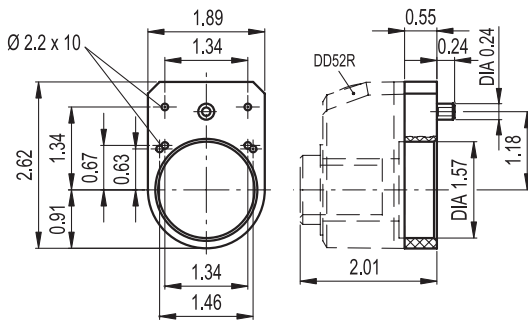


**INCH**

Code	Description	d	⚖️
CE987921	BSA-N52-1/2	0.500	0.43
CE987924	BSA-N52-5/8	0.625	0.41
CE987929	BSA-N52-3/4	0.750	0.39

- **PE.6-10:** red technopolymer pin (code CE.83960).

- **BS52R:** glass-fibre reinforced polyamide based (PA) technopolymer spacer base (code CE.83950), designed with two pre-drilled holes for self-tapping screws DIA 0.09 (Ø 2.2 mm) (not included in the supply).



Position indicators