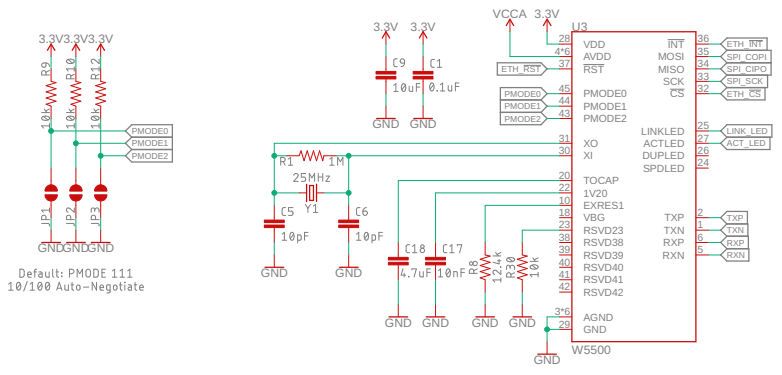
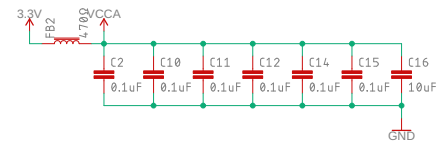
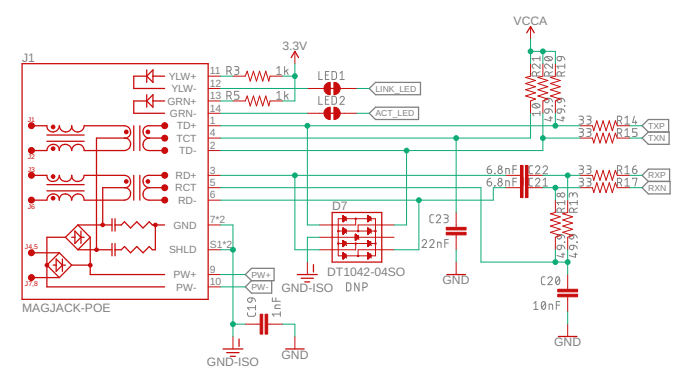


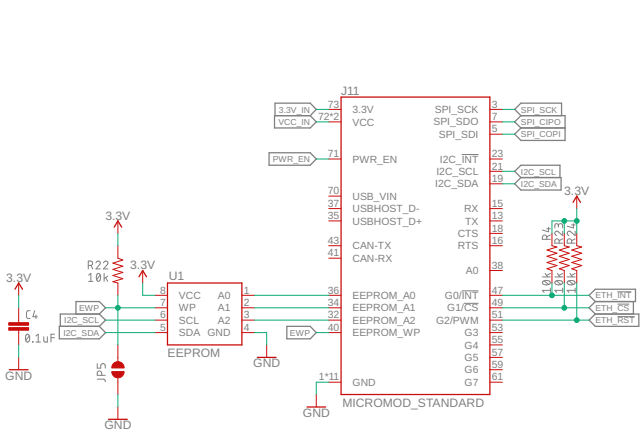
### W5500 Ethernet PHY/MAC



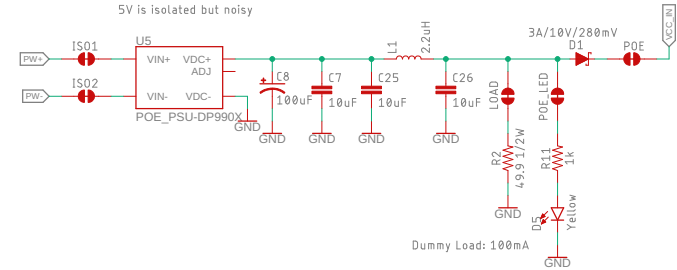
### Jack + Magnetics



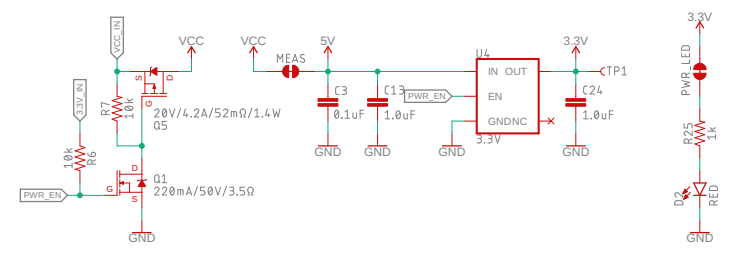
### MicroMod Function Connector



### Power Over Ethernet



### Power Enable



Released under the Creative Commons Attribution Share-Alike 4.0 License <a href="https://creativecommons.org/licenses/by-sa/4.0/">https://creativecommons.org/licenses/by-sa/4.0/</a>		Special Instructions
TITLE: MicroMod-Ethernet-Function-Board-W5500		
Design by: N. Seidle		REV: v11
Date: 3/2/2022 11:44 AM	Sheet: 1/1	