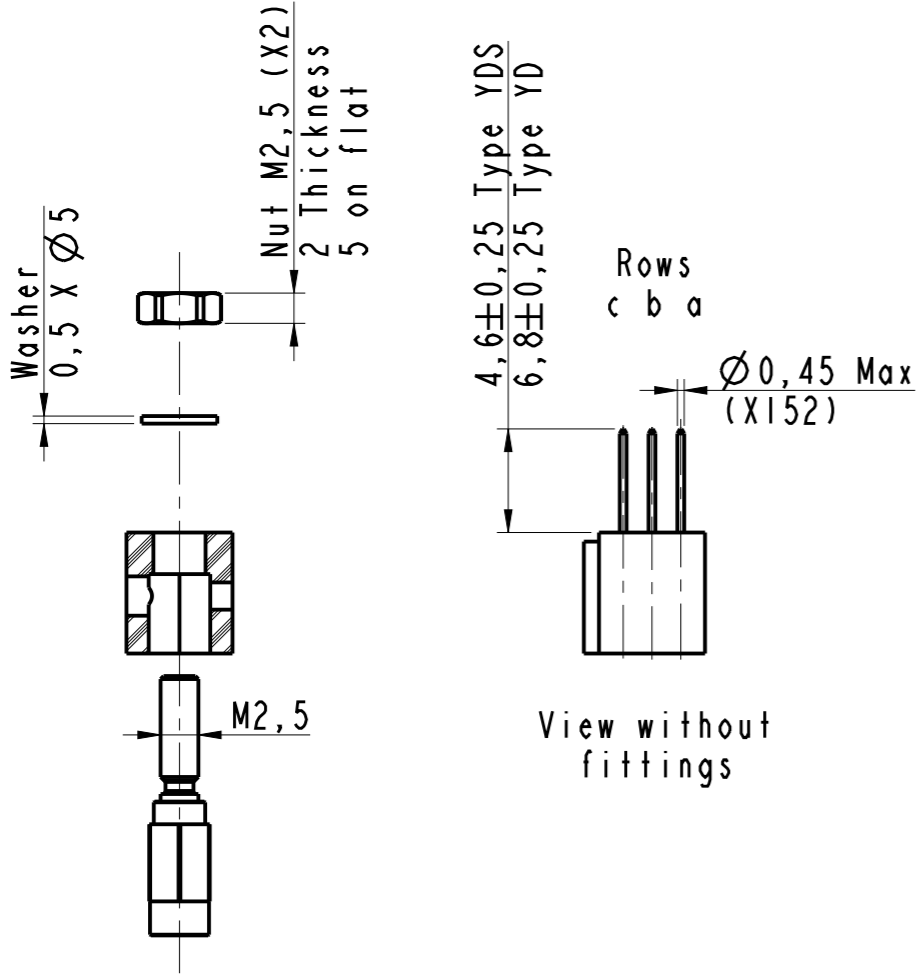
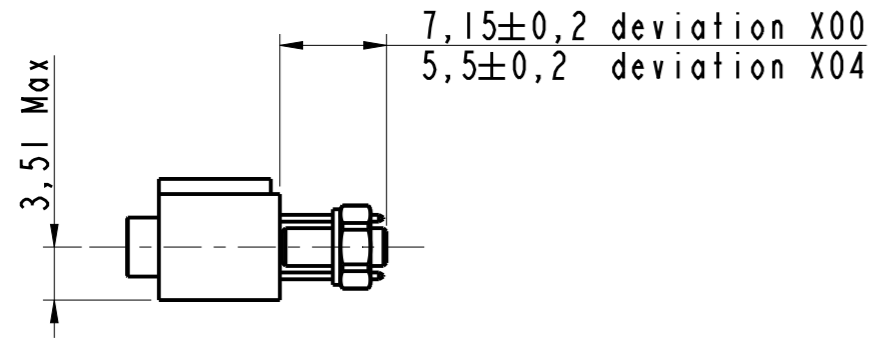
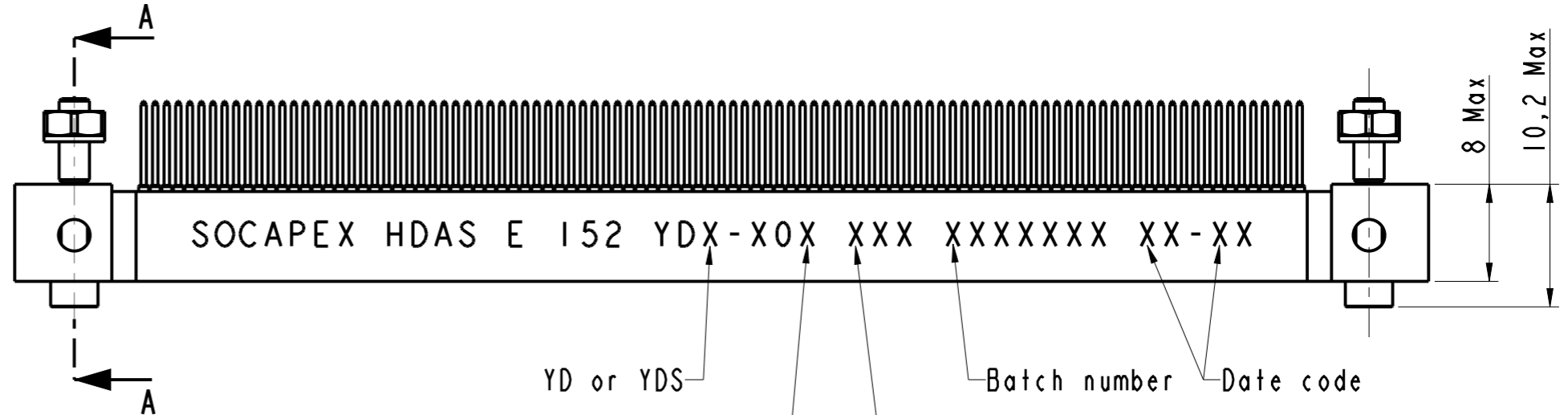
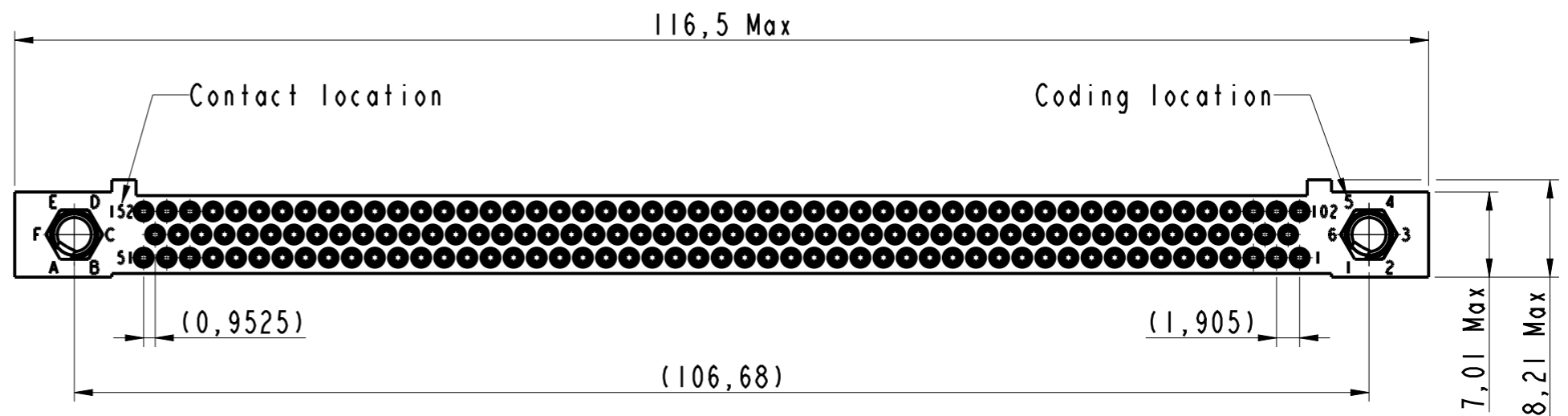


IN THE CONSTANT PURPOSE OF IMPROVING ITS PRODUCTS, Amphenol Socapex RESERVES THE RIGHT TO MODIFY ANY DIMENSION OR CHARACTERISTICS.
FM.NPD.0036.THYEZ.PUNE rev C



Section A-A



YD or YDS
X00 or X04
Batch number
Date code
LF: Pure Sn bright plating or
LFM: Pure Sn matte plating or
Nothing: SnPb plating

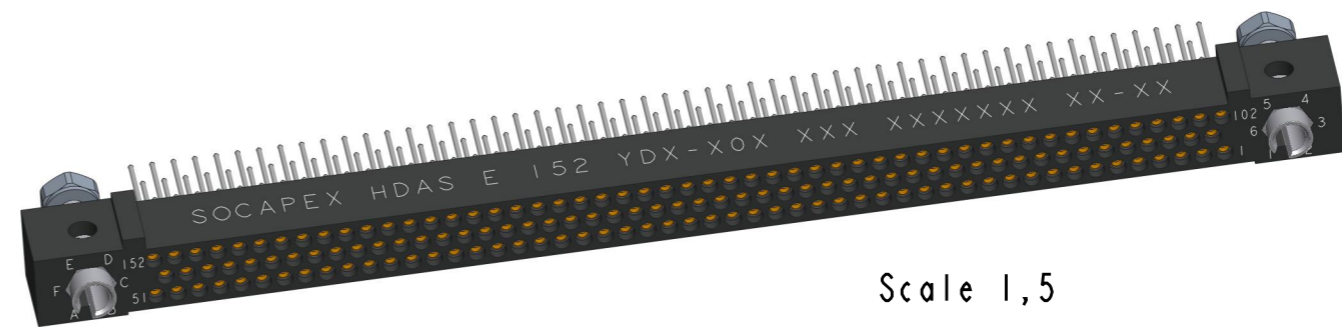
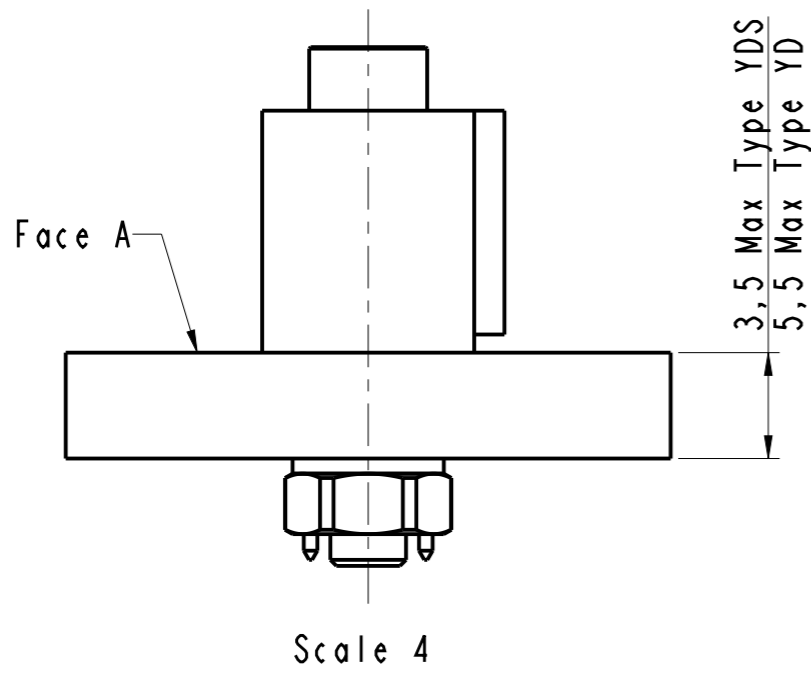
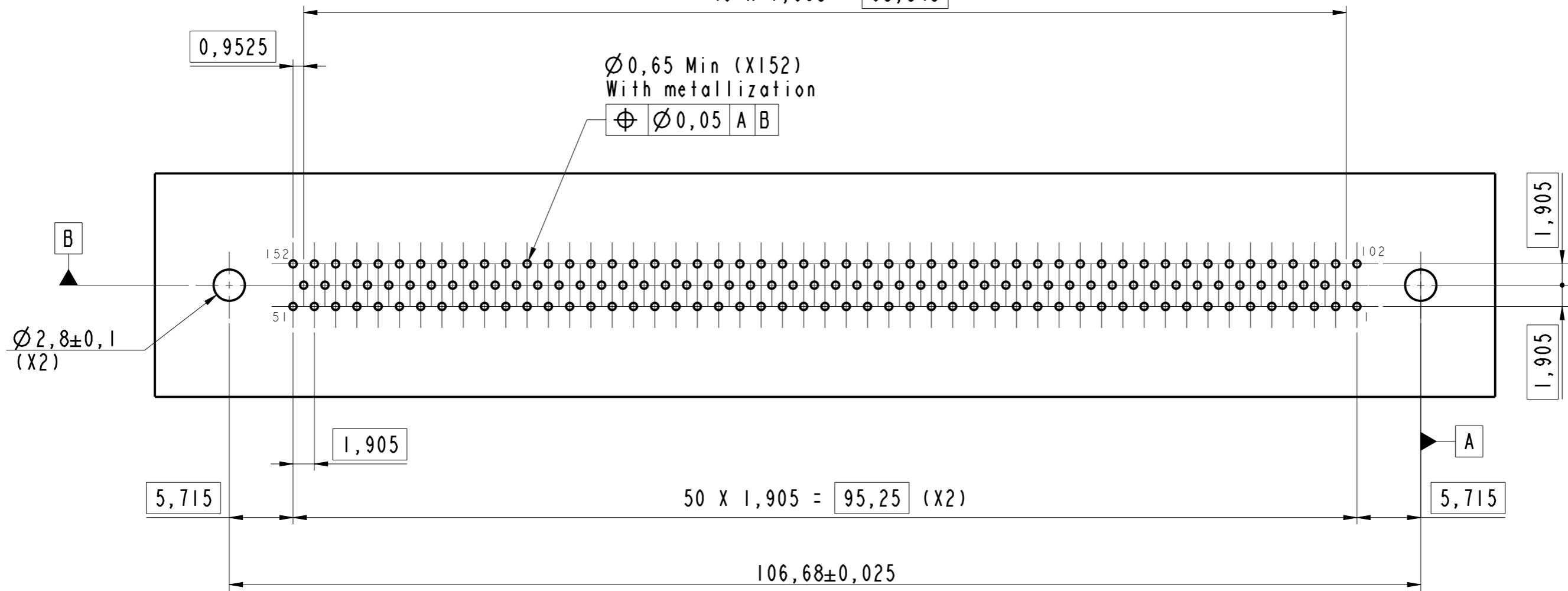
- Notes:
- Part: HDAS E 152 YDX-X0X XXX
 - External dimension of the receptacle insulator with 152 signal contacts type YDX
 - Connector delivered with fittings not assembled, coupling torque : 0,25 Nm
 - Standard 00X : Nickel plated over brass fittings.
Deviation 10X : Paivated stainless steel fittings.

HDAS E 152 YDX-X0X XXX

DRAWN BY : P.Pawar	UPDATED BY : S Satpute	LAST APPROVED BY : T Carrier	
ALL DIMENSIONS ARE IN MM	AMPHENOL SOCAPEX B.P. 29 74311 THYEZ CEDEX	ORIGINAL DRAWING DATE : 29/01/2012	CONFIGURATION DATA ARE AVAILABLE IN PDM
SCALE : 2		REV : F	PAGE : 1/2
		169-PLC-494-00	

PCB Layout Face A

$$49 \times 1,905 = 93,345$$



HDAS E 152 YDX-X0X XXX

DRAWN BY : P.Pawar		UPDATED BY : S Satpute		LAST APPROVED BY : T Carrier	
ALL DIMENSIONS ARE IN MM		AMPHENOL SOCAPEX		ORIGINAL DRAWING DATE : 29/01/2012	CONFIGURATION DATA ARE AVAILABLE IN PDM
SCALE : 2,5				REV : F	PAGE : 2/2
		B.P. 29 74311 THYEZ CEDEX		169-PLC-494-00	

IN THE CONSTANT PURPOSE OF IMPROVING ITS PRODUCTS, Amphenol Socapex reserves the right to modify any dimension or characteristics.
 FM.NPD.0036.THYEZ.PUNE rev C