

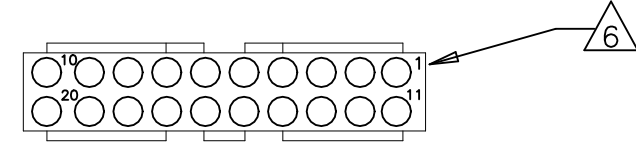
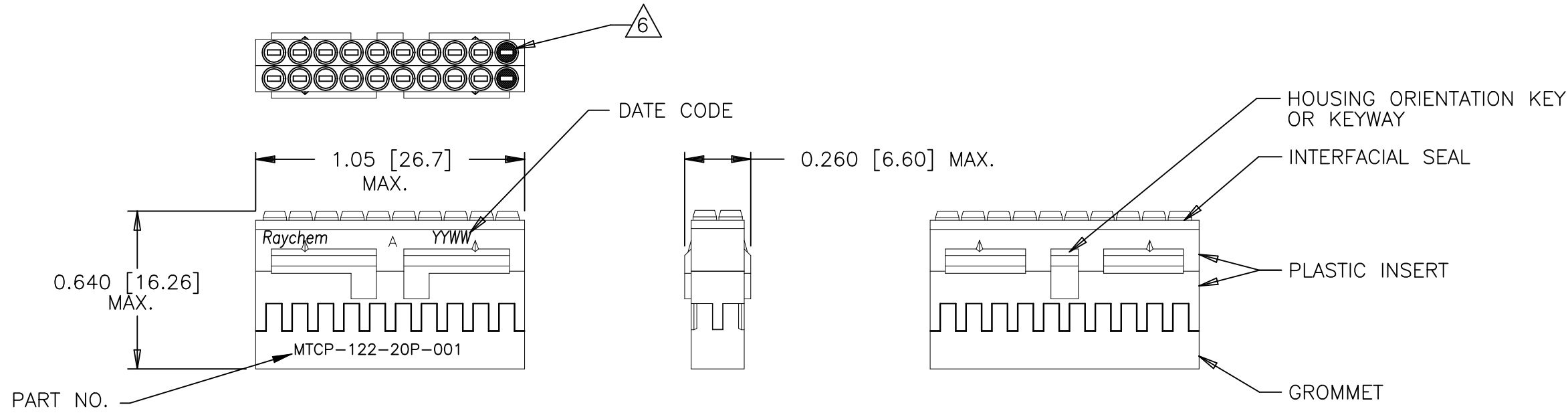
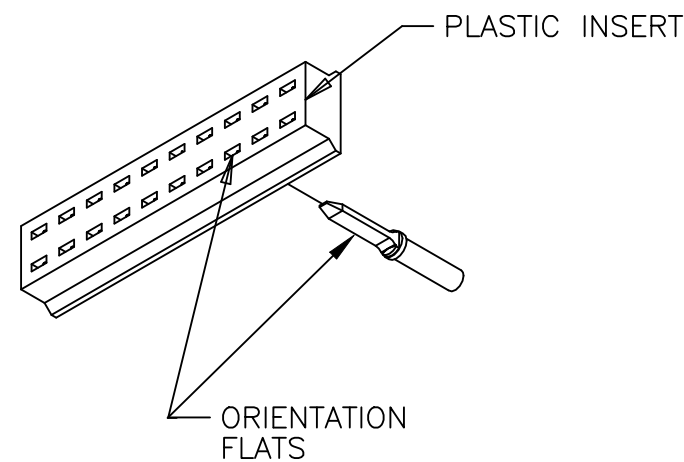
| REVISIONS | | | | | |
|-----------|-----|---------------------------|-----------|-----|------|
| P | LTR | DESCRIPTION | DATE | DWN | APVD |
| | C | REVISED PER ECN-22-142121 | 08APR2022 | LN | JM |

NOTES:

- THIS INSERT IS DESIGNED FOR USE IN TYCO/RAYCHEM CONNECTOR HOUSING MTC100-JH1-XXX. (SEE TYCO/RAYCHEM INFORMATION DRAWING D-659-0097 AND HOUSING SPECIFICATION CONTROL DRAWING FOR FURTHER DETAILS).
- PART DESCRIBED HEREON IS SUPPLIED AS SHOWN. REFER TO TYCO/RAYCHEM INFORMATION DRAWING D-659-0097 FOR CRIMP TOOLS OR ADDITIONAL CONTACTS, SEALING PLUGS OR TOOLS.
- GROMMET DESIGNED TO SEAL ON WIRES HAVING AN INSULATION DIAMETER OF 0.030 TO 0.065.
- PERFORMANCE:
THIS PRODUCT IS DESIGNED TO MEET THE APPLICABLE REQUIREMENTS OF RAYCHEM SPECIFICATION C-6115.
- MATERIALS:

| | |
|--|--|
| A) PLASTIC INSERT | HIGH GRADE POLYARYLENE THERMOPLASTIC |
| B) GROMMET | FLUOROSILICONE PER MIL-R-25988 |
| C) INTERFACIAL SEAL | FLUOROSILICONE PER MIL-R-25988 |
| D) RETENTION CLIPS (20) (INSIDE PLASTIC INSERT) | BERYLLIUM COPPER 172 PER QQ-C-533 OR 301 STAINLESS STEEL PER TEC-100-309 SPECIAL TEMPER |

△ NUMBER ONE (1) AND ELEVEN (11) CAVITIES ARE MARKED IN CONTRASTING COLOR. PART NUMBER, RAYCHEM, A AND DATE CODE ARE STAMPED APPROXIMATELY AS SHOWN.



| | | | | | |
|--|--|-------------------|-----------|--|----------------------------------|
| THIS DRAWING IS A CONTROLLED DOCUMENT. | | DWN ZS.ORBAN | 29SEP2003 | TE Connectivity | |
| DIMENSIONS: INCHES | | CHK - | - | | |
| TOLERANCES UNLESS OTHERWISE SPECIFIED: | | APVD M.HIGGY | 29SEP2003 | NAME 1-IN, INSERT PIN, 20 CAVITY, SIZE 22-20 REM. CONTACT SPECIAL MARKING-MTC100 SERIES | |
| | | PRODUCT SPEC - | | SIZE A3 | |
| MATERIAL - | | FINISH - | | CAGE CODE 00779 | DRAWING NO C-MTCP-122-20P-001 |
| MATERIAL - | | FINISH - | | WEIGHT 0.0049 lbs | RESTRICTED TO - |
| CUSTOMER DRAWING | | | | SCALE 1:1 | SHEET 1 OF 1 |
| | | | | REV C | |