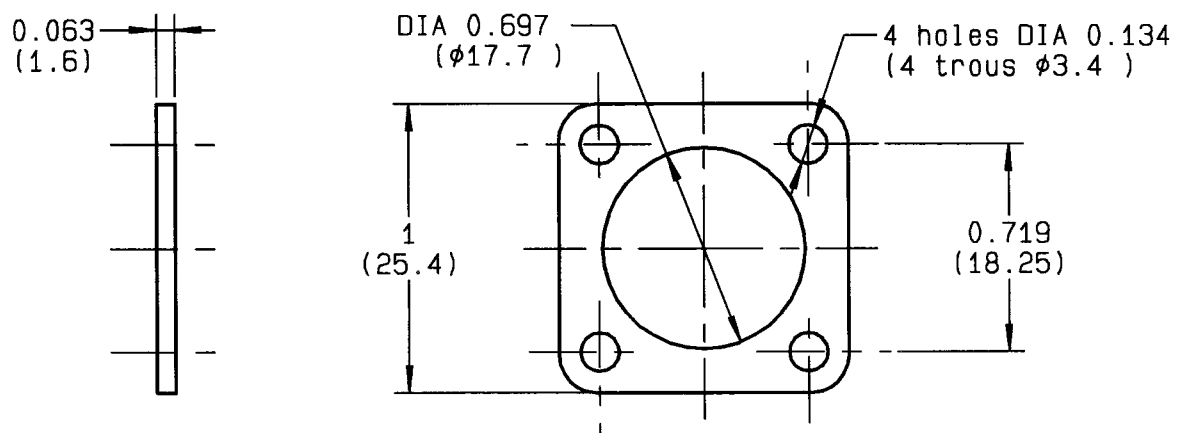


GASKET



CABLES : -

CHARACTERISTICS

NOMINAL IMPEDANCE	- Ω	STANDARDISATION	-
FREQUENCY RANGE	- GHz		-
TEMPERATURE RATING	-20/+100 °C		-
VSWR	- + - x F(GHz)Maxi		-
RF INSERTION LOSS	- √F(GHz) dB Maxi	CABLE RETENTION	0 lb min N
VOLTAGE RATING	- Vrms Max	CENTER CONTACT RETENTION	
DIELECTRIC WITHSTANDING VOLTAGE	- Vrms min	Axial force - mating end	0 lb min N
INSULATION RESISTANCE	- MΩ min	Axial force - opposite end	0 lb min N
HERMETIC SEAL	- cc/s - Atm.cm3/s	Torque (Min)	0 Inch.oz cm.N
LEAKAGE (pressurized only)	- psi - MPa	RECOMMENDED TORQUES	
WEIGHT	0 Oz - g	Mating	0 Inch.lb cm.N
		Panel nut	0 Inch.lb cm.N
		Clamp nut	0 Inch.lb cm.N

CONSTRUCTION

CONNECTOR PARTS	MATERIALS	FINISH
BODY	-	-
OUTER CONTACT	-	-
CENTER CONTACT	-	-
INSULATOR	-	-
GASKET	NEOPRENE RUBBER	-
-	-	-
-	-	-
-	-	-
-	-	-

ISSUE	REVISION No	DESCRIPTION	BY	DATE
-	-	-	-	-
-	-	-	-	-
-	-	-	-	-
-	-	-	-	-

Initiated on 25/09/74

The information given here is subject to change without notice. Design changes may be in order to improve the product.



Approval by BAFFERT