

PROPRIETARY INFORMATION: PROPRIETARY OF GLOBTEK, INC. ANY REPRODUCTION, DISCLOSURE OR USE OF THIS DRAWING, IN WHOLE OR IN PART, IS HEREBY PROHIBITED EXCEPT AS SPECIFIED IN WRITING BY GLOBTEK, INC.	REVISION			
	REV	DESCRIPTION	DATE	APPROVED
	A	INITIAL RELEASE, RFS. 9619, JS	10/28/06	HM



1. NOTES:

DIMENSIONS ARE IN MM UNLESS SPECIFIED OTHERWISE.

2. ELECTRICAL SPECIFICATIONS:

INPUT VOLTAGE: 100-240 VAC
INPUT CURRENT: < 0.6 A RMS MAX
INPUT FREQUENCY: 47 - 63 HZ
OUTPUT VOLTAGE / CURRENT: 5 VDC, NO LOAD TO FULL LOAD, NO MINIMUM LOAD
OUTPUT CURRENT : 1.2 A
OUTPUT POWER (RATED): 6 WATTS MAX
SWITCHING FREQUENCY
OUTPUT RIPPLE (PEAK TO PEAK): 100 mV
OUTPUT REGULATION (LINE/LOAD): ± 5 % FOR MAIN OUTPUT, MEASURED AT O/P CONNECTOR
LINE REGULATION: ± 1 % MAX AT FULL LOAD
TURN ON/ TURN OFF OVERSHOOT: 4% MAX 500uS MAX RECOVERY TIME FOR 25% STEP LOAD
TURN-ON DELAY: 3000 mSEC MAX
HOLD-UP TIME: 16 mSEC MIN AT NOMINAL INPUT AND FULL LOAD
INRUSH CURRENT: 30 A MAX AT COLD START 120 VAC, 60A MAX COLD START 230VAC
SWITCHING FREQUENCY: 66.5 KHz TYPICAL
OVER-VOLTAGE PROTECTION: VOLTAGE LIMITED LESS 130% OF NOMINAL VOLTAGE
OVER-CURRENT / SHORT CIRCUIT: HICCUP WITH AUTO RECOVERY TO 1.1 - 1.3 Io
OTHER PROTECTION: INPUT FUSING
SAFETY APPROVALS: UL60950-1, CUL TO 22.2# 60950-1, INNOVA GS TO EN60950-1, CCC TO GB4943-2001, GB9254-1998, GB17625.1-2003, CE CLASS II, PSE TO J60950, CB REPORT
DIELECTRIC WITHSTAND VOLTAGE: 3000VAC PRIMARY-SECONDARY
LEAKAGE CURRENT: ≤ 0.25 mA
LINE SURGE: EN 61000-4-5 LEVEL 4
EMI: COMPLIES WITH EN55022 CLASS B AND FCC PART 15 CLASS B WHEN TESTED WITH A RESISTIVE LOAD, BOTH CONDUCTED AND RADIATED
CE MARK: TESTED TO COMPLY WITH EN61000-3-2 EN61000-3-3 AND EN50082-1, INCLUDING EN61000-4-2, EN61000-4-3, EN61000-4-4, EN61000-4-5, EN61000-4-6, EN61000-4-11. UNIT IS ELIGIBLE FOR CE MARK.
EFFICIENCY: COMPLIES WITH ENERGY STAR TIER 2 (NORTH AMERICA), CECP TIER 2 (CHINA), MEPS TIER 2 (AUSTRALIA), CODE OF CONDUCT (EUROPE)
MTBF: GREATER THAN 50,000 HOURS AT 25°C AMBIENT TEMPERATURE
OPERATING TEMPERATURE: 0°C TO 40° C
STORAGE TEMPERATURE: -40°C TO 80° C
HUMIDITY: 0% TO 90% RELATIVE HUMIDITY

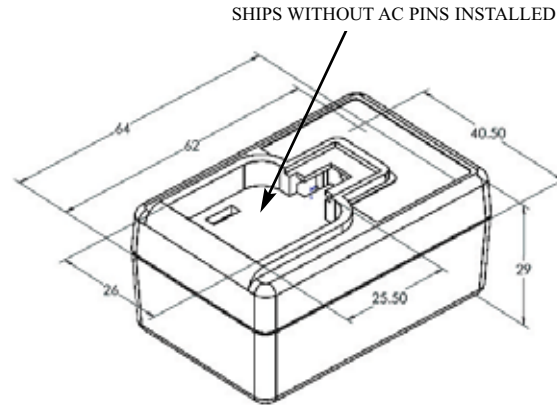
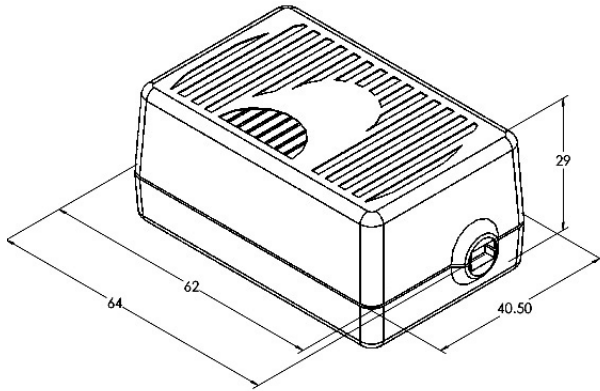
Foot Note: Globtek Inc. will not be liable for the safety and performance of these power supplies if unauthorized access and repair occurs. End user should consult applicable UL, CSA or EN standards for proper installation instructions	DASH NO.	PART NO	REV.	DESCRIPTION	NOTES	
	TABULATION BLOCK					
Limitation of Use: Globtek product are not authorized for use as mission critical components in life support, hazardous environment, nuclear or aircraft applications without prior written approval from the CEO of Globtek Inc.	INIT.BY: JS		DATE: 10/28/06	TOLERANCES: DECIMALS ANGULAR .xx +/- 0.1 +/- 1° .xxx +/- .005	GlobTek, Inc. 186 Veterans Dr. Northvale, NJ 07647 www.globtek.com Tel. 201-784-1000 Fax 201.784.0111	
	DRAWN: NF	DATE: 10/28/06	FSCN No.: G, N			SIZE A
Contents of this document are subject to change without prior notice	APRVD: HM	DATE: 10/28/06	CAGE CODE: 0GV V90	SCALE: NONE	MODEL NO: GT-41076-0605	REV. A
					PART NO: WR9QA1200KR9-N(R)	SHEET 1 OF 4

PROPRIETARY INFORMATION:

PROPRIETARY OF GLOBTEK, INC. ANY REPRODUCTION, DISCLOSURE OR USE OF THIS DRAWING, IN WHOLE OR IN PART, IS HEREBY PROHIBITED EXCEPT AS SPECIFIED IN WRITING BY GLOBTEK, INC.

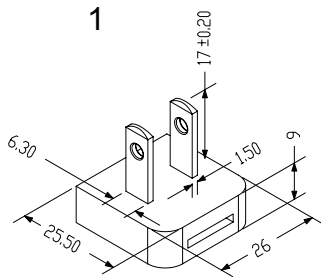
3. ENCLOSURE

UPPER HOUSING: HIGH IMPACT PLASTIC, 94V0 POLYCARBONATE, NON-VENTED, COLOR BLACK
 LOWER HOUSING: HIGH IMPACT PLASTIC 94V0 POLYCARBONATE, NON- VENTED, COLOR BLACK
 SIZE: 64 x 40.5 x 29 mm

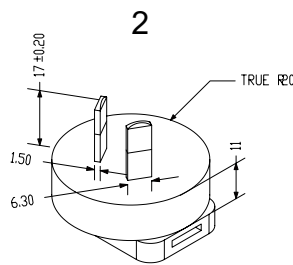


4. INPUT CONNECTORS:

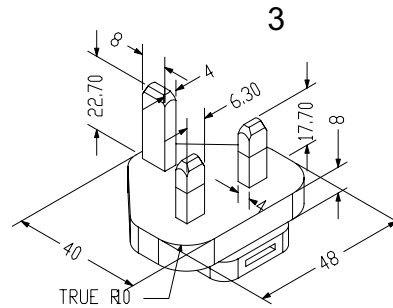
INPUT CONNECTORS OPTIONS Pins or Kits must be ordered separately		Input connector Kit options		
		Q-Kit	Q-Kit- INTL	Q-Kit-1K
1	CLASS II MODEL NEMA 1-15P AC POWER PLUG WITH 2 PRONGS, Q-NA	X		X
2	AUSTRALIAN CONFIGURATION: SAA 2 PINS CLASS II, Q-SAA	X	X	X
3	UK CONFIGURATION: UK 2 PINS CLASS II, Q-UK	X	X	X
4	EUROPEAN CONFIGURATION: EUROPLUG 2 PINS, CLASS II, Q-EU	X	X	X
5	KOREAN CONFIGURATION, Q-KR			X
6	ARGENTINA CONFIGURATION, Q-AR			X



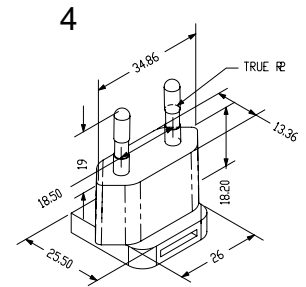
P/N: Q-NA
 NORTH AMERICA
 JAPAN
 CHINA



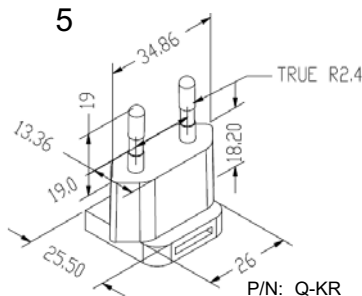
P/N: Q-SAA
 AUSTRALIA
 CHINA



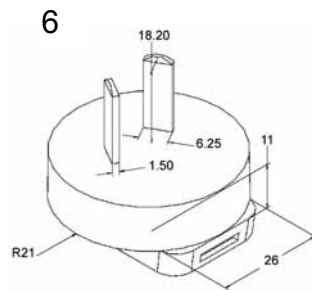
P/N: Q-UK
 UNITED KINGDOM
 HONG KONG
 SINGAPORE



P/N: Q-EU
 EUROPE
 SOUTH AMERICA



P/N: Q-KR
 KOREA



P/N: Q-AR
 ARGENTINA

GlobTek, Inc.
 www.globtek.com

186 Veterans Dr. Northvale, NJ 07647
 Tel. 201-784-1000 Fax 201.784.0111

DWG TITLE: WALL PLUG-IN SWITCHING POWER SUPPLY, 6WATTS, 5V@ 1.2A
 N.A., EURO, UK, SAA, UNIVERSAL INPUT, ITE, CLASS II

MODEL NO: GT-41076-0605

REV.
 A

PART NO: WR9QA1200KR9-N(R)

SHEET 2 OF 4

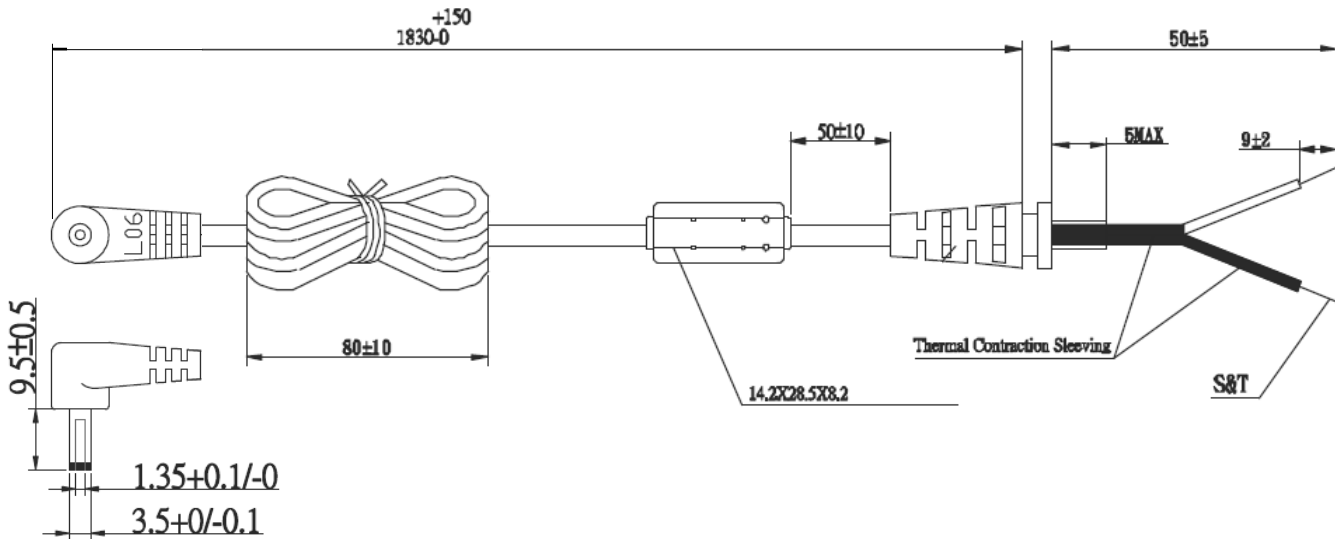
PROPRIETARY INFORMATION:
 PROPRIETARY OF GLOBTEK, INC. ANY REPRODUCTION, DISCLOSURE OR USE OF THIS DRAWING, IN WHOLE OR IN PART, IS HEREBY PROHIBITED EXCEPT AS SPECIFIED IN WRITING BY GLOBTEK, INC.

5. OUTPUT CORD :

1 CONDUCTOR+ SHIELD, 18 AWG STRANDED WIRE, ROUND UL 2464 CORD TYPE, COLOR BLACK, LENGTH OF CORD: 1830 +150,-0 mm.
 CORD IS MEASURED FROM THE HOUSING TO THE END OF OVERMOLD OF THE CONNECTOR. CABLE IS TO BE MARKED WITH WIRE GAUGE, AND ALL APPLICABLE RATING AND SAFETY APPROVALS.

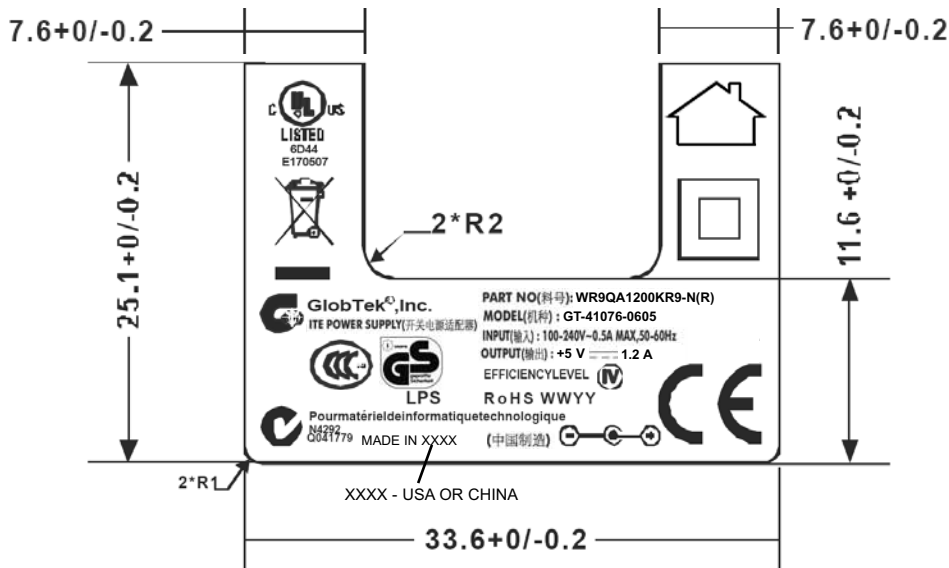
6. OUTPUT CONNECTOR:

RIGH ANGLE FEMALE BARREL 3.5 x 1.35 x 9.5 mm WITH CENTER POSITIVE




7. LABEL:

MATERIAL: .007 (0.18) THICK FLAT THERMAL TRANSFER, IMPRINTABLE, BLACK POLYESTER SHEET WITH WHITE OR GRAY NOMENCLATURE.
 MANUFACTURER: STEVEN LABEL, MATERIAL I.D. NO.3302-33, UL FILE NO. MH12821(N), UL MATERIAL DESIGNATION FILE NO. GHW332RL.
 OPTIONAL LABEL MATERIAL CAN BE SUBSTITUTED PROVIDING MATERIAL IS UL LISTED AND COMPLIES WITH APPLICABLE SAFETY REQUIREMENTS.



PS E JQA → AVAILABLE UPON REQUEST

		186 Veterans Dr. Northvale, NJ 07647 Tel. 201-784-1000 Fax 201.784.0111
DWG TITLE: WALL PLUG-IN SWITCHING POWER SUPPLY, 6WATTS, 5V@ 1.2A N.A., EURO, UK, SAA, UNIVERSAL INPUT, ITE, CLASS II		
MODEL NO: GT-41076-0605	REV. A	
PART NO: WR9QA1200KR9-N(R)	SHEET 3 OF 4	

ACTUAL POSITIONING OF SYMBOLS AND TEXT IS SUBJECT TO CHANGE AT TIME OF MANUFACTURE

PROPRIETARY INFORMATION:

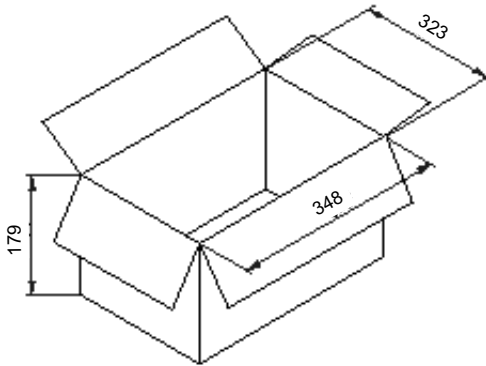
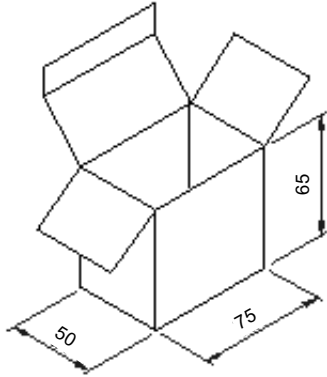
PROPRIETARY OF GLOBTEK, INC. ANY REPRODUCTION, DISCLOSURE OR USE OF THIS DRAWING, IN WHOLE OR IN PART, IS HEREBY PROHIBITED EXCEPT AS SPECIFIED IN WRITING BY GLOBTEK, INC.

8. PACKING:

CARTON INTERNAL SIZE: 348*323*179 mm

Q-TY: 60 PCS (20*3)

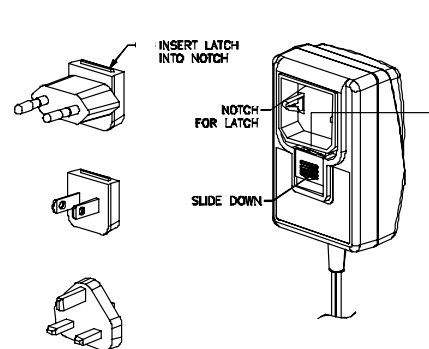
G.W.: 12.8 kgs



AC PLUG ASSEMBLY INSTRUCTION

PROTECTION FRAME(Color white or black)

Note: Please remove before insert the AC PLUG



GlobTek, Inc.
www.globtek.com

186 Veterans Dr. Northvale, NJ 07647
Tel. 201-784-1000 Fax 201.784.0111

DWG TITLE: WALL PLUG-IN SWITCHING POWER SUPPLY, 6WATTS, 5V@ 1.2A
N.A., EURO, UK, SAA, UNIVERSAL INPUT, ITE, CLASS II

MODEL NO: GT-41076-0605

REV.
A

PART NO: WR9QA1200KR9-N(R)

SHEET 4 OF 4