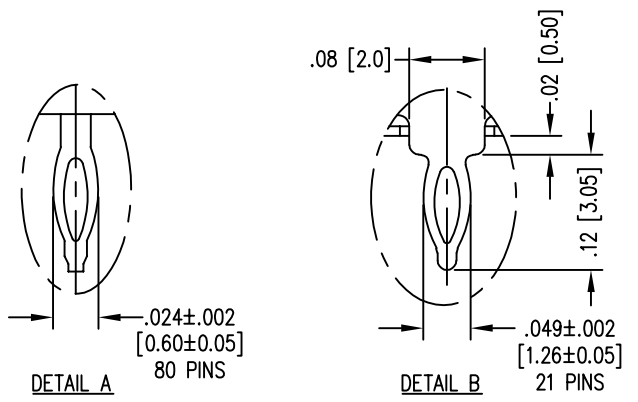
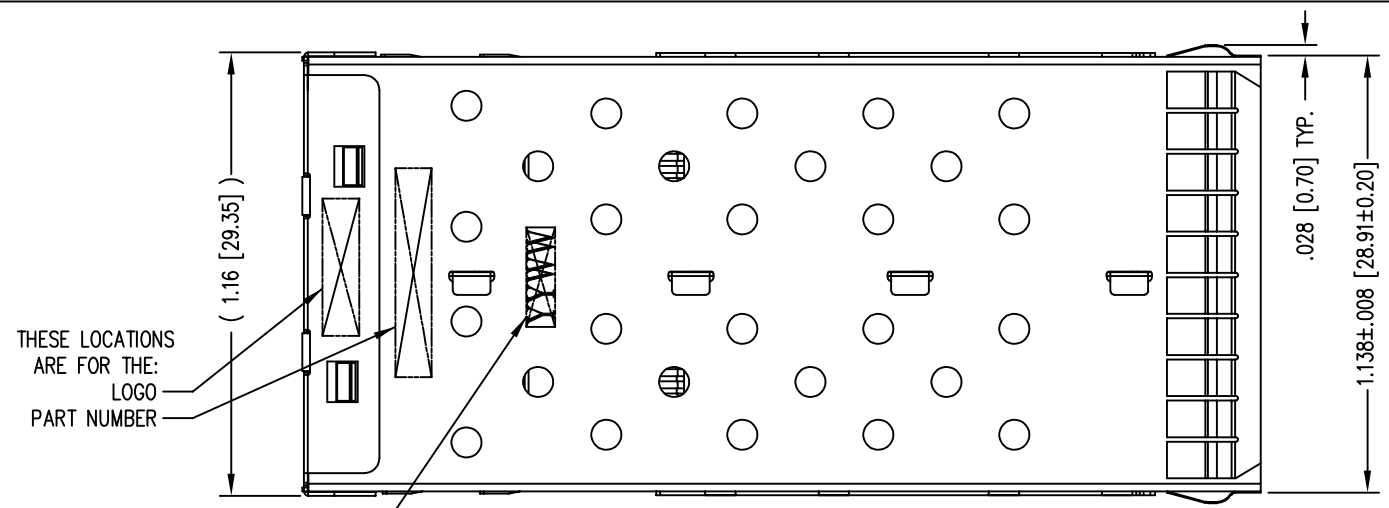
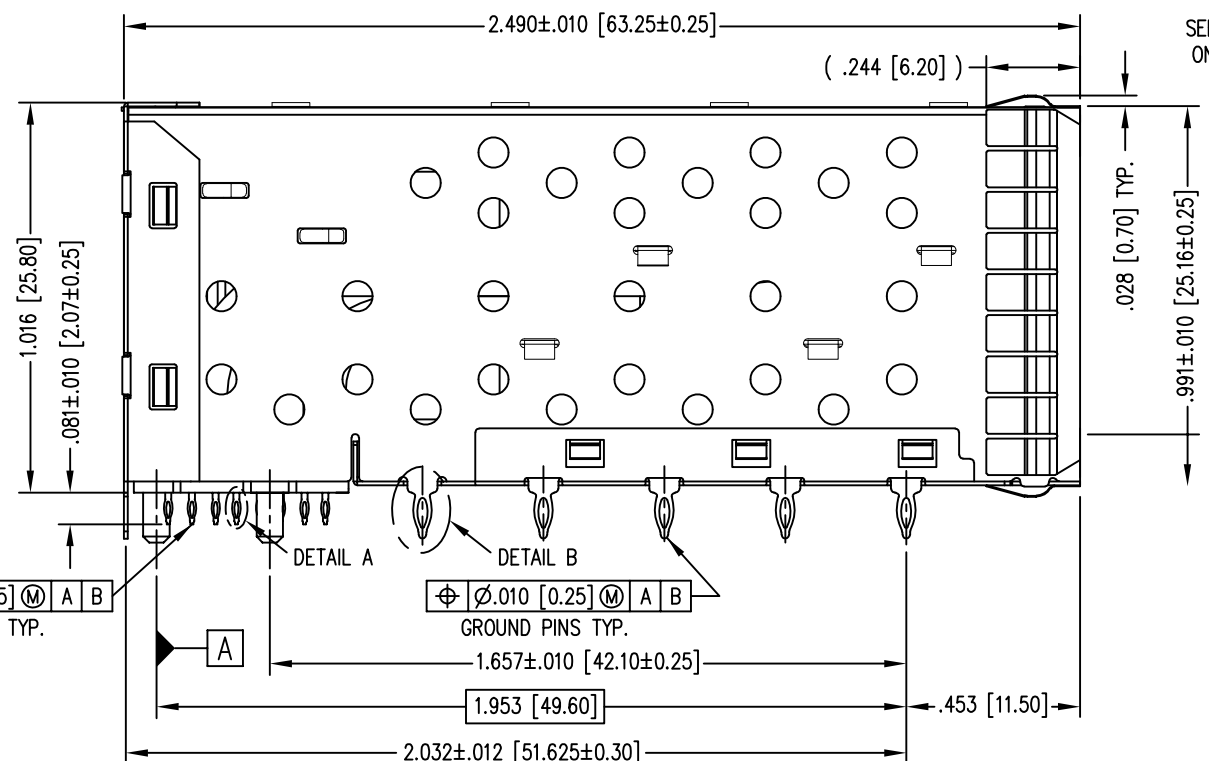


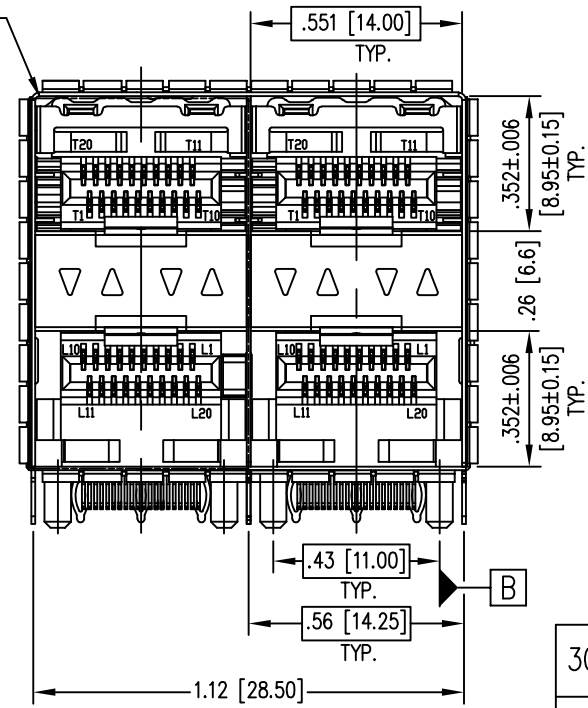
DATE	REV	ECN	APP'D. BY
8-11-17	A2	11061	TRM
8-16-17	A3	11066	TRM



DATE CODE IN THIS LOCATION  
DATE CODE IS YEAR/WEEK  
YEAR (2 DIGITS) & WEEK (2 DIGITS)  
EX: 1730



SEE DETAIL C ON SHEET 2



30 MICRO-INCHES [0.76um]	SS-79100-012	WITH LIGHT PIPE
30 MICRO-INCHES [0.76um]	SS-79100-011	WITHOUT LIGHT PIPE
CONTACT PLATING IN MATING AREA	PART NUMBER	

- NOTES:
- MATERIALS:  
CONTACT: PHOSPHOR BRONZE  
CONNECTOR HOUSING: LCP UL 94V-0 COLOR: BLACK  
MOLDED INSERT: HIGH TEMP PLASTIC UL 94V-0 COLOR: BLACK  
CAGE: COPPER ALLOY  
LIGHT PIPES: POLYCARBONATE UL 94V-0 COLOR: CLEAR  
LIGHT PIPE HOUSING: PBT UL 94V-0 COLOR: BLACK  
EMI SPRINGS: COPPER ALLOY
  - PLATING:  
PCB PINS: 0.0001 [2.54um] MINIMUM MATTE TIN  
OVER 0.00005 [1.27um] MINIMUM NICKEL  
CAGE: NICKEL
  - TEMPERATURE:  
OPERATIONAL: -40°C~+85°C  
STORAGE: -55°C~+105°C
  - FOR PRODUCT SPECIFICATIONS SEE PR043-01.
  - MATES WITH SFP MSA COMPLIANT TRANSCEIVERS.



THIRD ANGLE PROJECTION

DRAWING IS SUBJECT TO CHANGE WITHOUT NOTICE

UNLESS OTHERWISE SPECIFIED DIMENSIONS INCHES [METRIC] TOLERANCES ARE:

ANGLES ± 2°

1 PLC. DEC. ±.010" [±0.25]

2 PLC. DEC. ±.005" [±0.13]

3 PLC. DEC. ±.004" [±0.10]

DO NOT SCALE DRAWING

SHEET NO. 1 OF 4

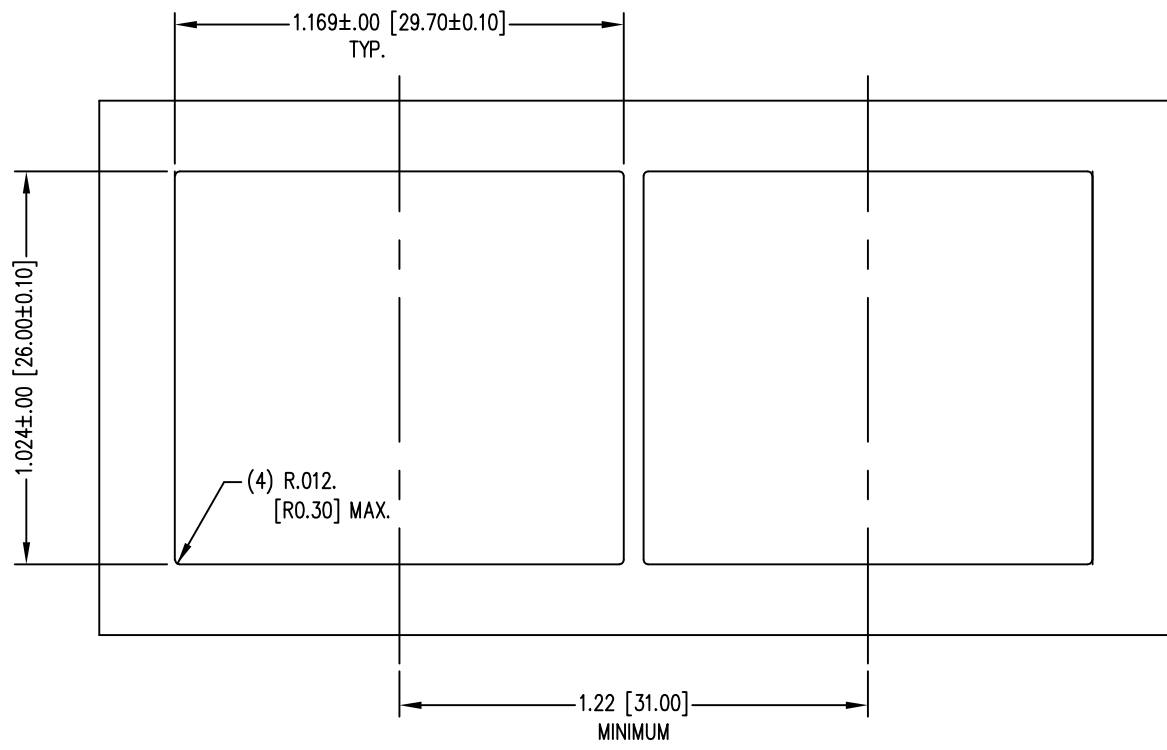
stewart CONNECTOR a bel group

1118 Susquehanna Trail South  
Glen Rock, PA 17327-9199  
(717) 235-7512  
<http://www.stewartconnector.com>

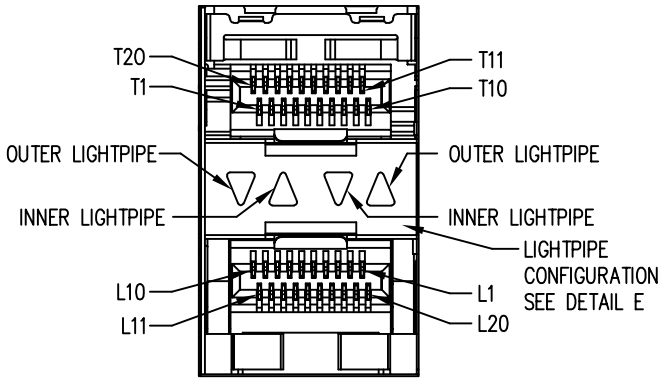
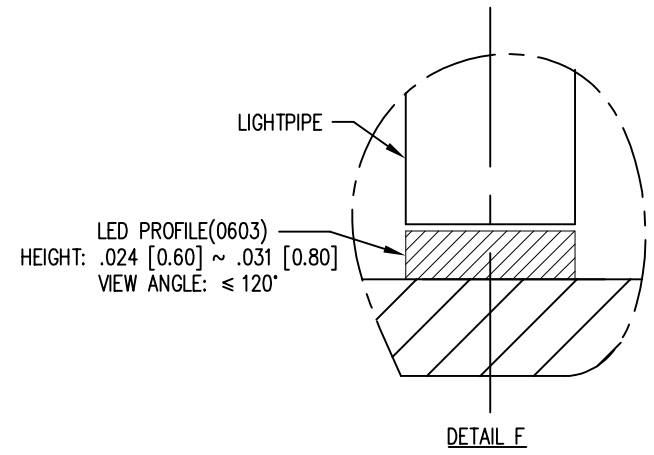
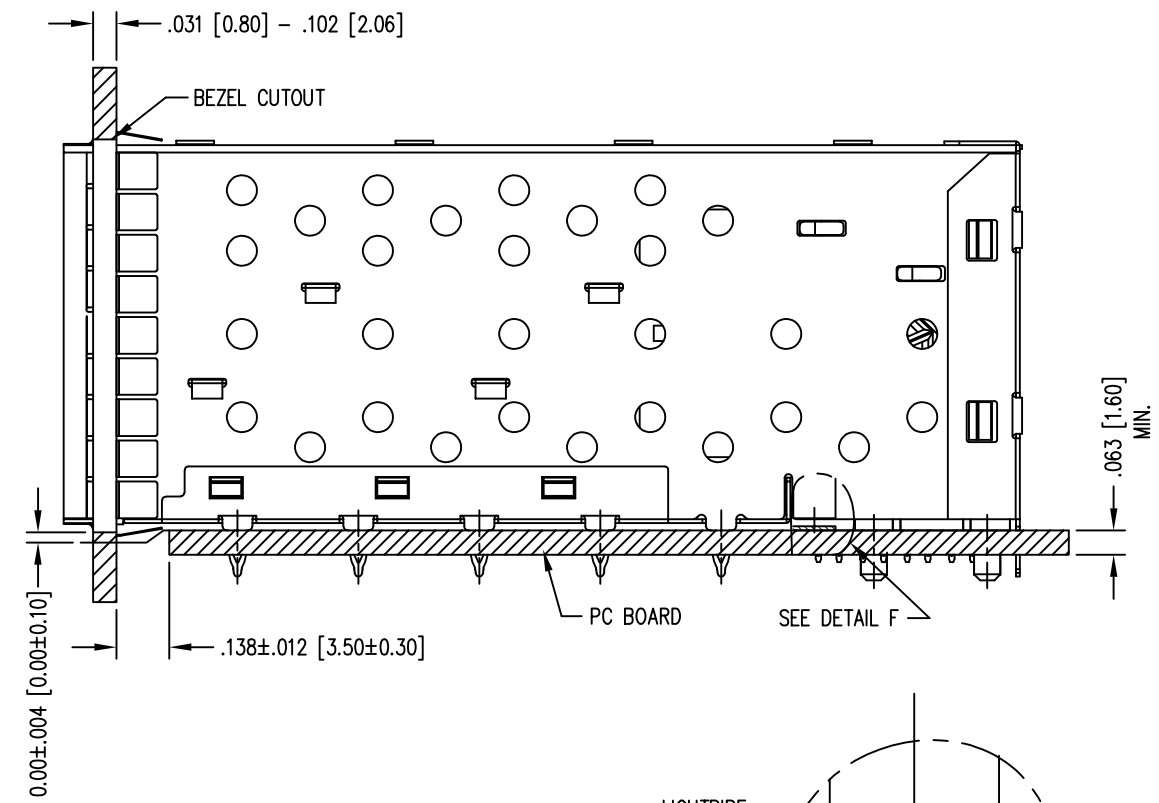
TITLE: SFP+ 2X2 CAGE WITH EMI CLIP, PRESS FIT  
SFP+ 2X2 CAGE W/LIGHT PIPES, PRESS FIT

THIS DRAWING AND THE SUBJECT MATTER SHOWN THEREON ARE CONFIDENTIAL AND THE PROPRIETARY PROPERTY OF STEWART CONNECTOR AND SHALL NOT BE REPRODUCED, COPIED, OR USED IN ANY MANNER WITHOUT PRIOR WRITTEN CONSENT OF STEWART CONNECTOR. ONE OR MORE U.S. PATENTS MAY APPLY TO THIS PRODUCT. FOR DETAILS, PLEASE VISIT: [HTTP://BELFUSE.COM/STEWART/STEWART\\_PATENTS/](http://BELFUSE.COM/STEWART/STEWART_PATENTS/)

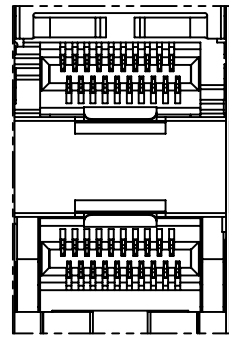
DRN BY: TRM	DATE: 6-14-17
APPD BY: DHG	DATE: 6-30-17
DWG NO. CT790011	REV. A3



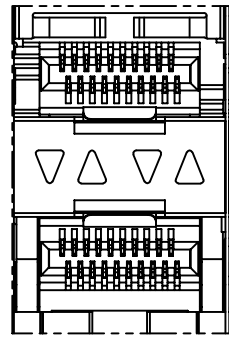
BEZEL CUT-OUT CENTER SPACING DETAIL  
BEZEL THICKNESS: .03 [0.8] - .10 [2.6]



DETAIL C



NO LIGHTPIPES  
SS-79100-011

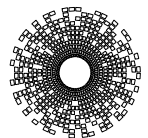


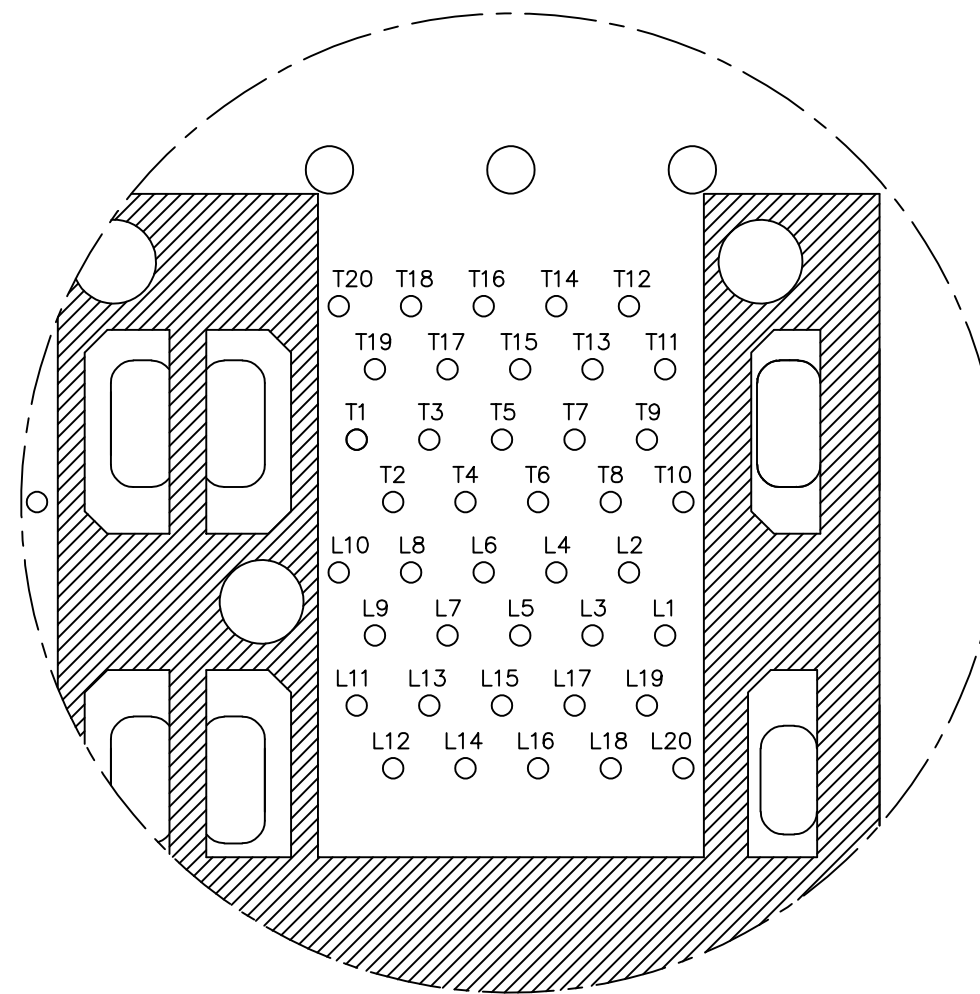
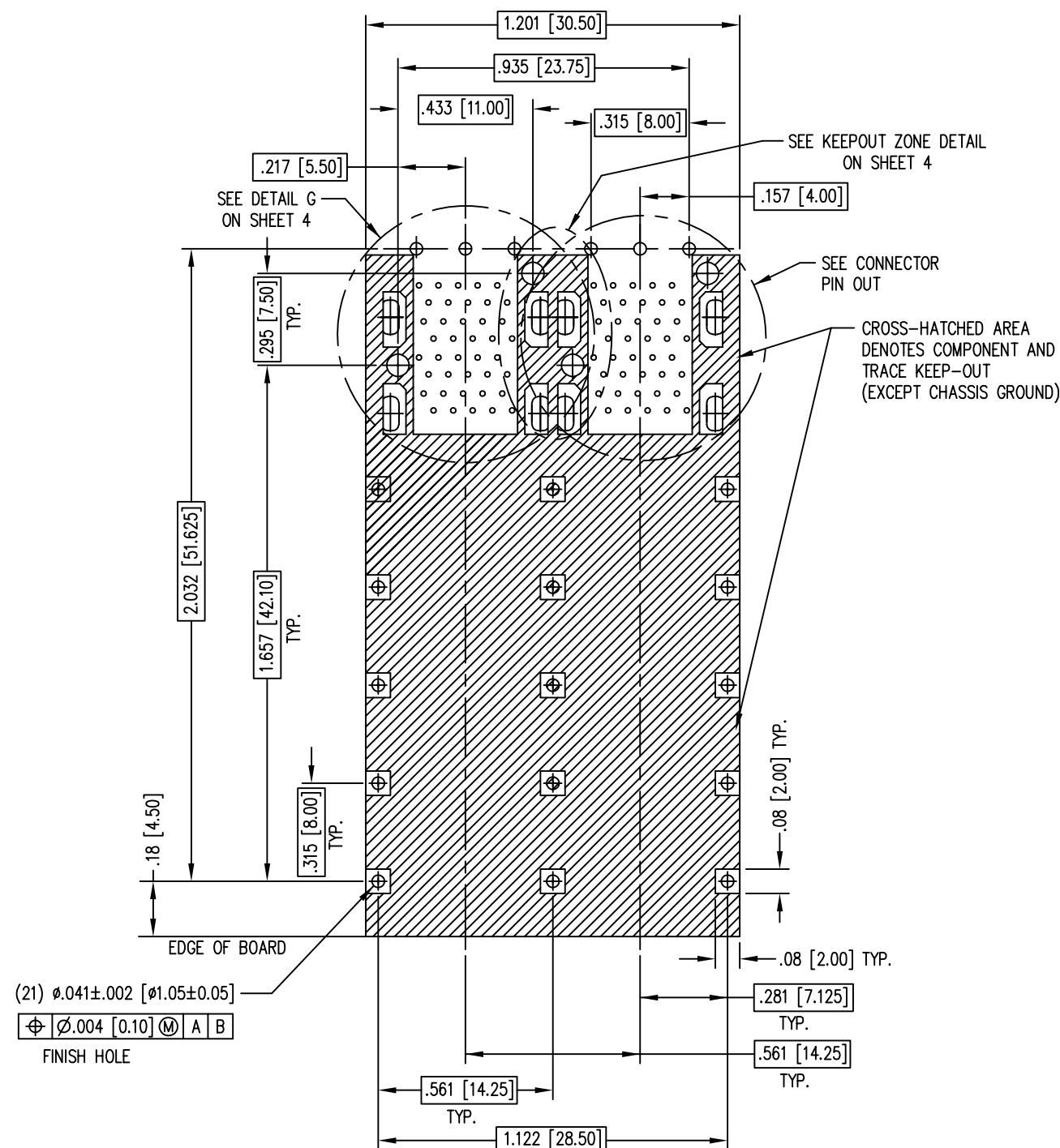
4 LIGHTPIPES  
SS-79100-012

DETAIL E



THIRD ANGLE PROJECTION  
DRAWING IS SUBJECT TO CHANGE WITHOUT NOTICE  
UNLESS OTHERWISE SPECIFIED DIMENSIONS INCHES [METRIC]  
TOLERANCES ARE:  
ANGLES ± 2°  
1 PLC. DEC. ±.010" [±0.25]  
2 PLC. DEC. ±.005" [±0.13]  
3 PLC. DEC. ±.004" [±0.10]  
DO NOT SCALE DRAWING  
SHEET NO. 2 OF 4

 <b>stewart</b> CONNECTOR a bel group	1118 Susquehanna Trail South Glen Rock, PA 17327-9199 (717) 235-7512 <a href="http://www.stewartconnector.com">http://www.stewartconnector.com</a>	
	TITLE: SFP+ 2X2 CAGE WITH EMI CLIP, PRESS FIT SFP+ 2X2 CAGE W/LIGHT PIPES, PRESS FIT	
THIS DRAWING AND THE SUBJECT MATTER SHOWN THEREON ARE CONFIDENTIAL AND THE PROPRIETARY PROPERTY OF STEWART CONNECTOR AND SHALL NOT BE REPRODUCED, COPIED, OR USED IN ANY MANNER WITHOUT PRIOR WRITTEN CONSENT OF STEWART CONNECTOR. ONE OR MORE U.S. PATENTS MAY APPLY TO THIS PRODUCT. FOR DETAILS, PLEASE VISIT: <a href="http://BELFUSE.COM/STEWART/STEWART_PATENTS/">HTTP://BELFUSE.COM/STEWART/STEWART_PATENTS/</a>	DRN BY: TRM	DATE: 6-14-17
	APPD BY: DHG	DATE: 6-30-17
	DWG NO. CT790011	REV. A3



CONNECTOR PIN-OUT  
COMPONENT SIDE OF BOARD

RECOMMENDED PCB LAYOUT - COMPONENT SIDE  
 RECOMMENDED PCB THICKNESS - .104 [2.63]  
 THE ENTIRE AREA OF THE CONNECTOR FOOTPRINT  
 TO BE CONSIDERED THE KEEP OUT AREA FOR COMPONENTS  
 (OTHER THAN LIGHTPIPE LEADS)  
 THIS AREA IS INDICATED BY THE DASHED LINE



THIRD ANGLE PROJECTION 	<b>stewart</b> CONNECTOR a bel group	1118 Susquehanna Trail South Glen Rock, PA 17327-9199 (717) 235-7512 <a href="http://www.stewartconnector.com">http://www.stewartconnector.com</a>	
		TITLE: SFP+ 2X2 CAGE WITH EMI CLIP, PRESS FIT SFP+ 2X2 CAGE W/LIGHT PIPES, PRESS FIT	
DRAWING IS SUBJECT TO CHANGE WITHOUT NOTICE UNLESS OTHERWISE SPECIFIED DIMENSIONS INCHES [METRIC] TOLERANCES ARE: ANGLES ± 2° 1 PLC. DEC. ±.010" [±0.25] 2 PLC. DEC. ±.005" [±0.13] 3 PLC. DEC. ±.004" [±0.10] DO NOT SCALE DRAWING		DRN BY: TRM APPD BY: DHG DWG NO. CT790011	DATE 6-14-17 DATE 6-30-17 REV. A3
SHEET NO. 3 OF 4		THIS DRAWING AND THE SUBJECT MATTER SHOWN THEREON ARE CONFIDENTIAL AND THE PROPRIETARY PROPERTY OF STEWART CONNECTOR AND SHALL NOT BE REPRODUCED, COPIED, OR USED IN ANY MANNER WITHOUT PRIOR WRITTEN CONSENT OF STEWART CONNECTOR. ONE OR MORE U.S. PATENTS MAY APPLY TO THIS PRODUCT. FOR DETAILS, PLEASE VISIT: <a href="http://BELFUSE.COM/STEWART/STEWART_PATENTS/">HTTP://BELFUSE.COM/STEWART/STEWART_PATENTS/</a>	

