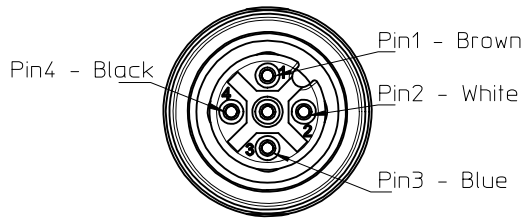
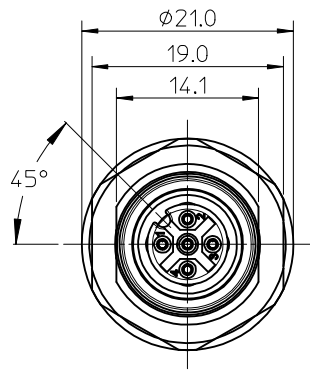
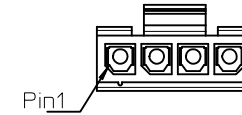


FRONT SIDE VIEW
FEMALE 4 POLE

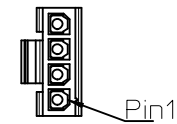
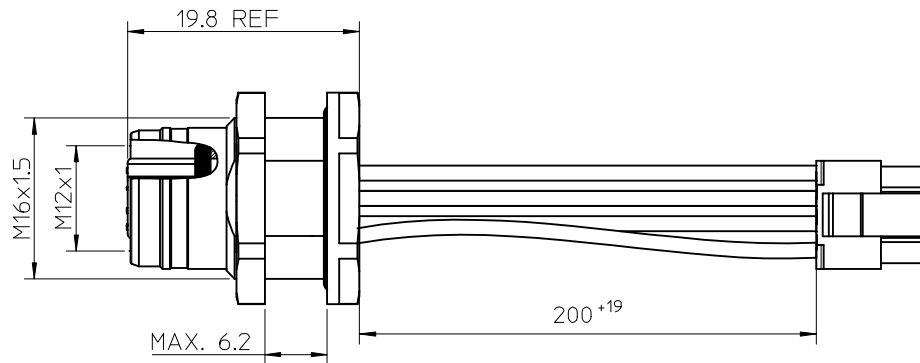


FROM FRONT SIDE VIEW
CONNECTOR 436450400

Pin1 - Brown
Pin2 - white
Pin3 - Blue
Pin4 - Black



FRONT SIDE VIEW



FRONT SIDE VIEW

Notes:

- 1) Material: See Table
- 2) Finish: See Table
- 3) Environmental:
Protection Receptacle: IP67
NEMA Rating Receptacle: NEMA 6

9	1	Crimp Terminals	Phosphor Bronze	TIN
8	1	Micro-Fit Connector	Polyster	BLACK
7	1	GASKET	VITON	RED
6	N/A	POTTING MATERIAL	EPOXY	NONE
5	1	LOCKNUT	BRASS	NI PLATED
4	4	INSERT	PA	BLACK
3	1	REC.SHELL MALE	BRASS	NI PLATED
2	1	PIN CONTACT	BRASS	CuZn Ni/Au
1	1	O-Ring 16x1.5M	EPDM	BLACK
ITEM	QTY.	DESCRIPTION	MATERIAL	FINISH

ENG No	BG20736
DESIGN UNITS	METRIC
THIRD ANGLE PROJECTION	

ORIGINAL RELEASE EC NO: IPG2013-1804 DRWING: MDYSZEWSKA 2013/04/09 CHK'D: JMARSZALEK 2013/05/27 APPR: MIWASIECZKO 2013/05/27	QUALITY SYMBOLS	GENERAL TOLERANCES (UNLESS SPECIFIED)	DIMENSION STYLE	SCALE	DESIGN UNITS
		4 PLACES ± --- ± ---	MM ONLY	---	METRIC
		3 PLACES ± --- ± ---	DRAWN BY DATE		
		2 PLACES ± --- ± ---	CHECKED BY DATE		
		1 PLACE ± --- ± ---	APPROVED BY DATE		
	0 PLACE ± --- ± ---	MATERIAL NO.			
		ANGULAR ± --- °			
		DRAFT WHERE APPLICABLE MUST REMAIN WITHIN DIMENSIONS			

TITLE	REC U12 4P AC FE M16 BM WIR SHD BRA AU MICROFIT
molex	
MATERIAL NO.	1200848070
DOCUMENT NO.	SD-120084-037
SHEET NO.	1 OF 1
THIS DRAWING CONTAINS INFORMATION THAT IS PROPRIETARY TO MOLEX INCORPORATED AND SHOULD NOT BE USED WITHOUT WRITTEN PERMISSION	