

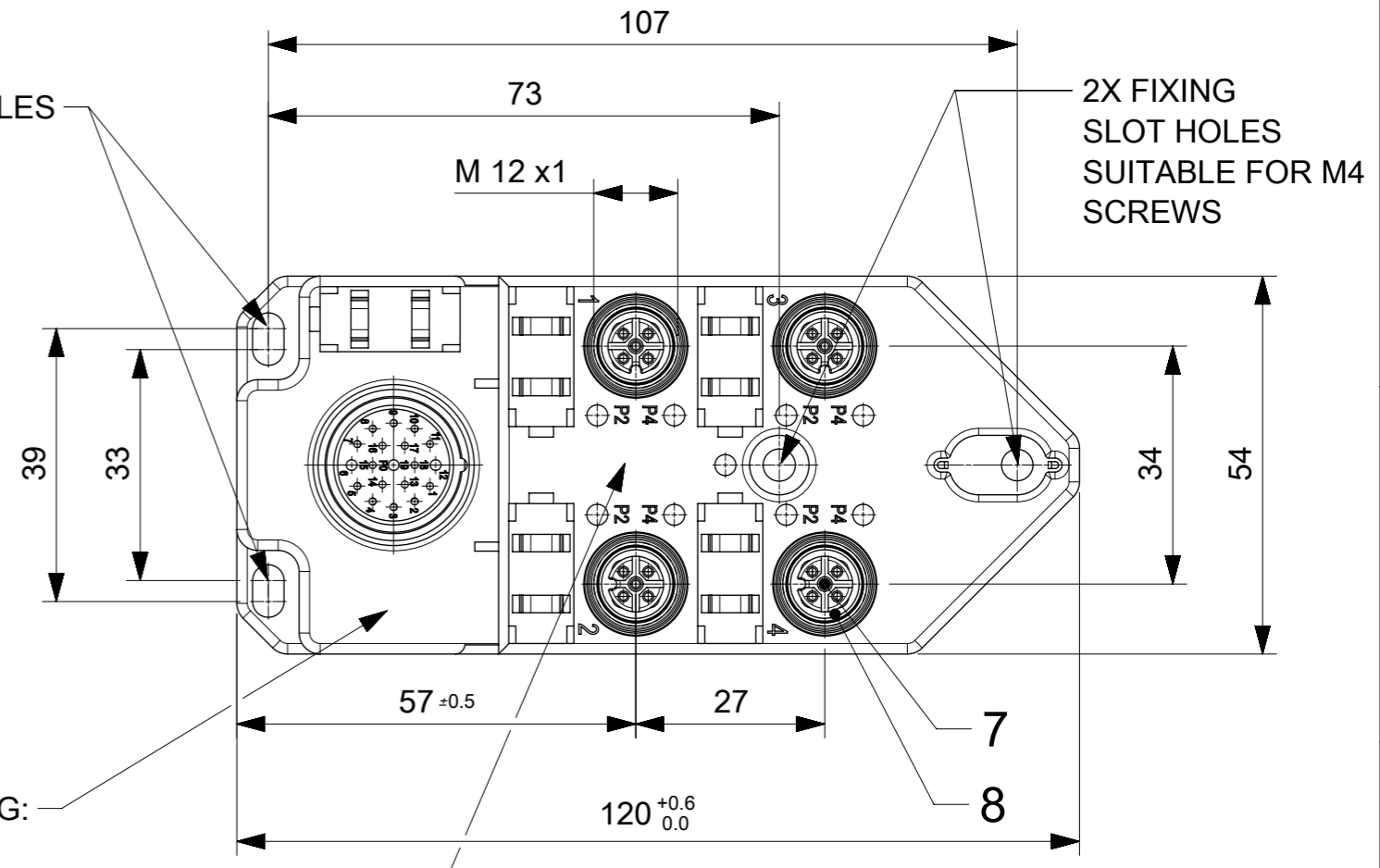
TABLE 1

MOLEX P/N	ENG. NO.	LED
1202510070	BKB4030-FBC	NO
1202510071	BKB403P-FBC	YES
1202510072	BKB403N-FBC	YES

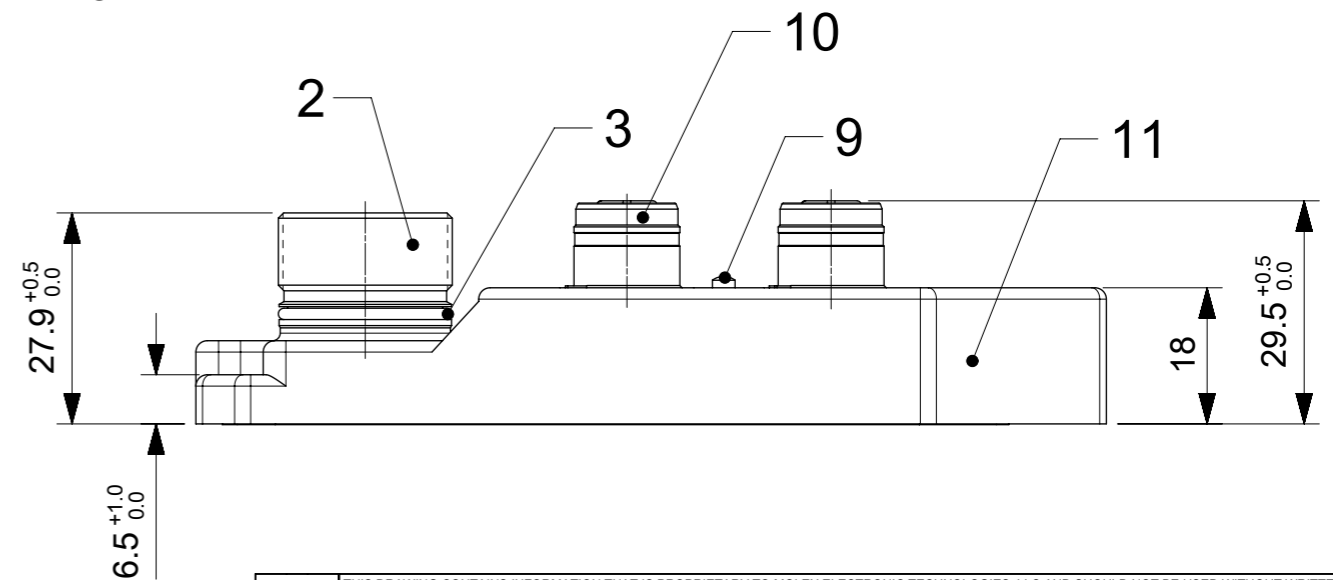
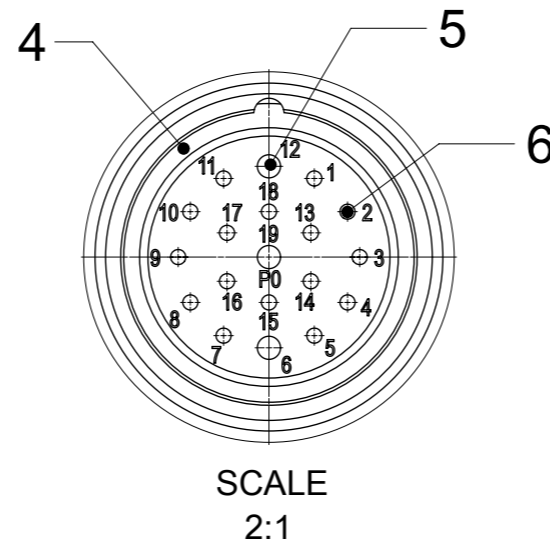
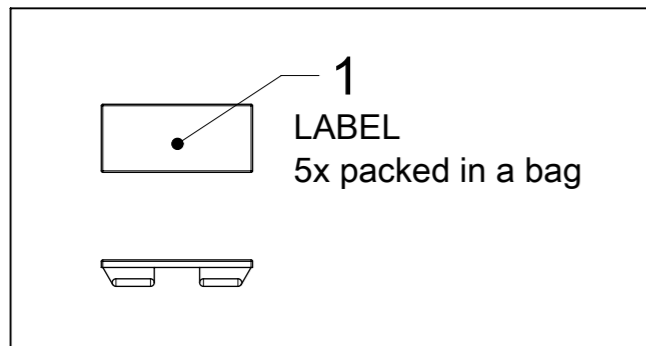
TABLE 2 BILL OF MATERIAL

ITEM	DESCRIPTION	MATERIAL	FINISH
1	LABEL	ABS	WHITE
2	SHELL	BRASS	NICKEL PLATED
3	O-RING	NBR	BLACK
4	O-RING	NBR	BLACK
5	CONTACT	BRASS	GOLD OVER NICKEL
6	CONTACT	BRASS	GOLD OVER NICKEL
7	CONTACT	BRONZE	GOLD OVER NICKEL
8	O-RING	FPM	RED
9	LED	NO LED = PA	BLACK
		WITH LED = PA	TRANSPARENT
10	SHELL	BRASS	NICKEL PLATED
11	HOUSING	PBT	BLACK

2X FIXING SLOT HOLES
SUITABLE FOR M4
SCREWS



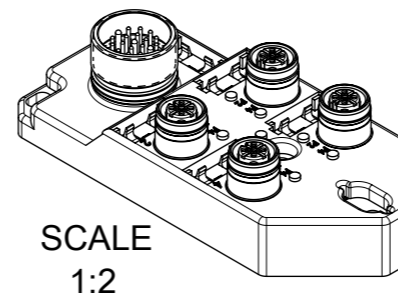
LASER PRINTING:
PN: 120251XXXX
ENG.: BKB403X-FBC
PO: XXXXXXXXXX



GENERAL CHARACTERISTICS:

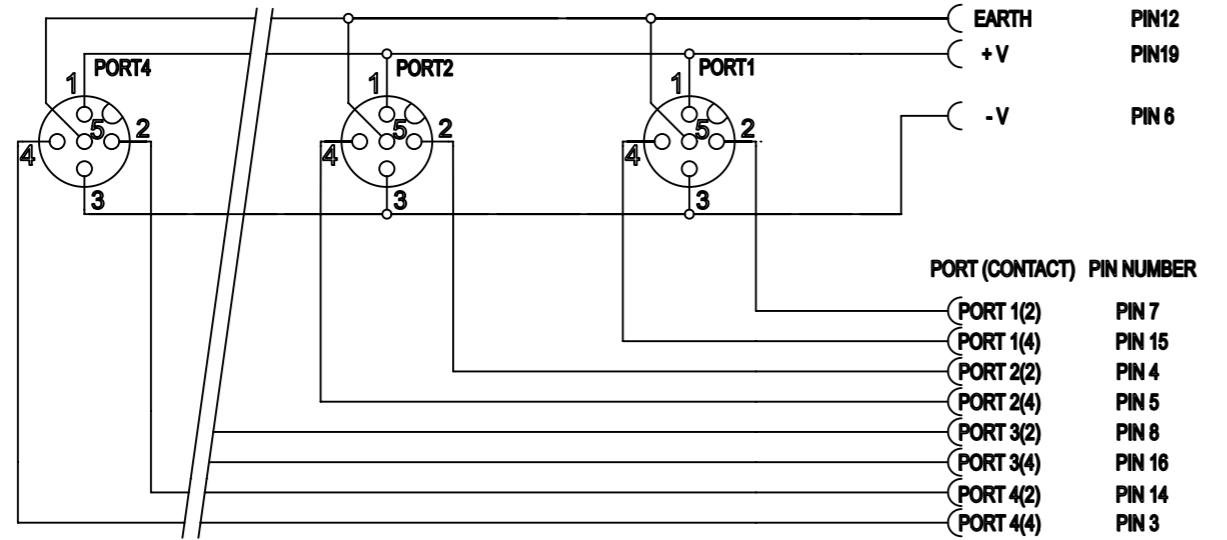
ELECTRICAL AND MECHANICAL DATA ACC. TO IEC 61076-2-101

NOMINAL VOLTAGE: 10-30 V DC
 AMPERE RATING: 4 A PER PORT / 12 A MAX
 AMPERE RATING WITH UL REGISTRATION: 3 A PER PORT / 9 A MAX
 IP DEGREE OF PROTECTION: IP 67
 TEMPERATURE RANGE: -25°C to + 85°C

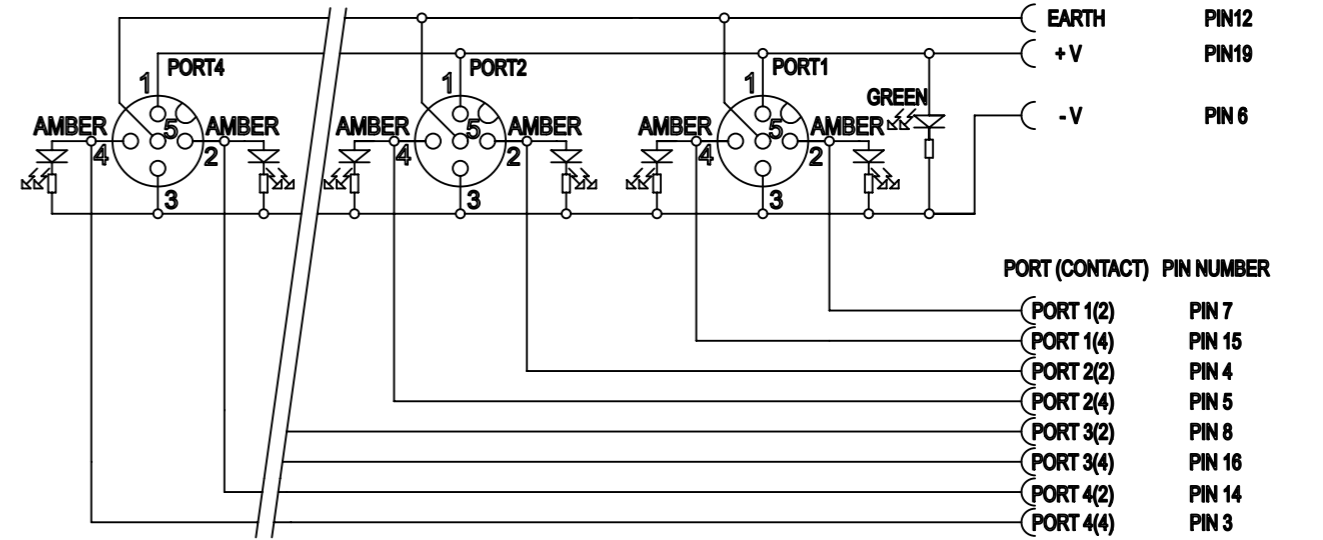


SYMBOLS		THIS DRAWING CONTAINS INFORMATION THAT IS PROPRIETARY TO MOLEX ELECTRONIC TECHNOLOGIES, LLC AND SHOULD NOT BE USED WITHOUT WRITTEN PERMISSION	
DIMENSION UNITS	SCALE	CURRENT REV DESC:	
mm	1:1	EC NO: 630686	
GENERAL TOLERANCES (UNLESS SPECIFIED)		DRWN: SSM	2018/12/07
ANGULAR TOL ± 1.0°		CHK'D: RSILLER	2020/01/17
▽ = 0	4 PLACES ±	APPR: RSILLER	2020/01/17
▽ = 0	3 PLACES ±	INITIAL REVISION:	
▽ = 0	2 PLACES ± 0.05	DRWN: SSM	2018/12/07
▽ = 0	1 PLACE ± 0.3	APPR: RSILLER	2020/01/17
▽ = 0	0 PLACES ± 0.5	THIRD ANGLE PROJECTION	
□ = 0	DRAFT WHERE APPLICABLE MUST REMAIN WITHIN DIMENSIONS	DRAWING	SERIES
▽ = 0		A3-SIZE	120251
		MATERIAL NUMBER	CUSTOMER
		1202510070	GENERAL MARKET
		DOCUMENT NUMBER	DOC TYPE DOC PART REVISION
		1202510070	PSD 000 A
		SHEET NUMBER	
		1 OF 2	

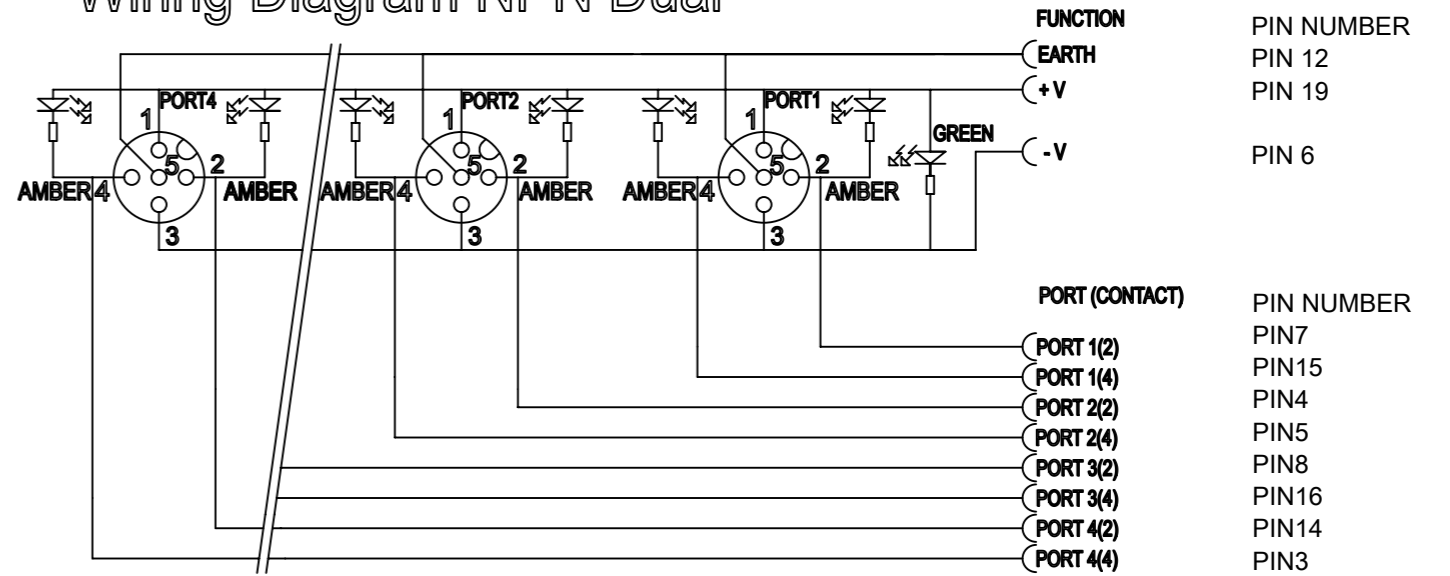
Wiring Diagram NON LED



Wiring Diagram PNP



Wiring Diagram NPN Dual



SYMBOLS	THIS DRAWING CONTAINS INFORMATION THAT IS PROPRIETARY TO MOLEX ELECTRONIC TECHNOLOGIES, LLC AND SHOULD NOT BE USED WITHOUT WRITTEN PERMISSION		molex
	DIMENSION UNITS	SCALE	
▽ = 0	mm	5:1	PRODUCT CUSTOMER DRAWING
▽ = 0	GENERAL TOLERANCES (UNLESS SPECIFIED)		
▽ = 0	ANGULAR TOL ± 1.0°		DOC TYPE: PSD
▽ = 0	4 PLACES ±		DOC PART: 000
▽ = 0	3 PLACES ±		REVISION: A
▽ = 0	2 PLACES ± 0.05		MATERIAL NUMBER: SEE TABLE 1
▽ = 0	1 PLACE ± 0.3		
▽ = 0	0 PLACES ± 0.5		SHEET NUMBER: 2 OF 2
■ = 0	DRAFT WHERE APPLICABLE MUST REMAIN WITHIN DIMENSIONS	THIRD ANGLE PROJECTION	DRAWING: A3-SIZE
▽ = 0	SERIES: 120251		DATE: 2018/01/17