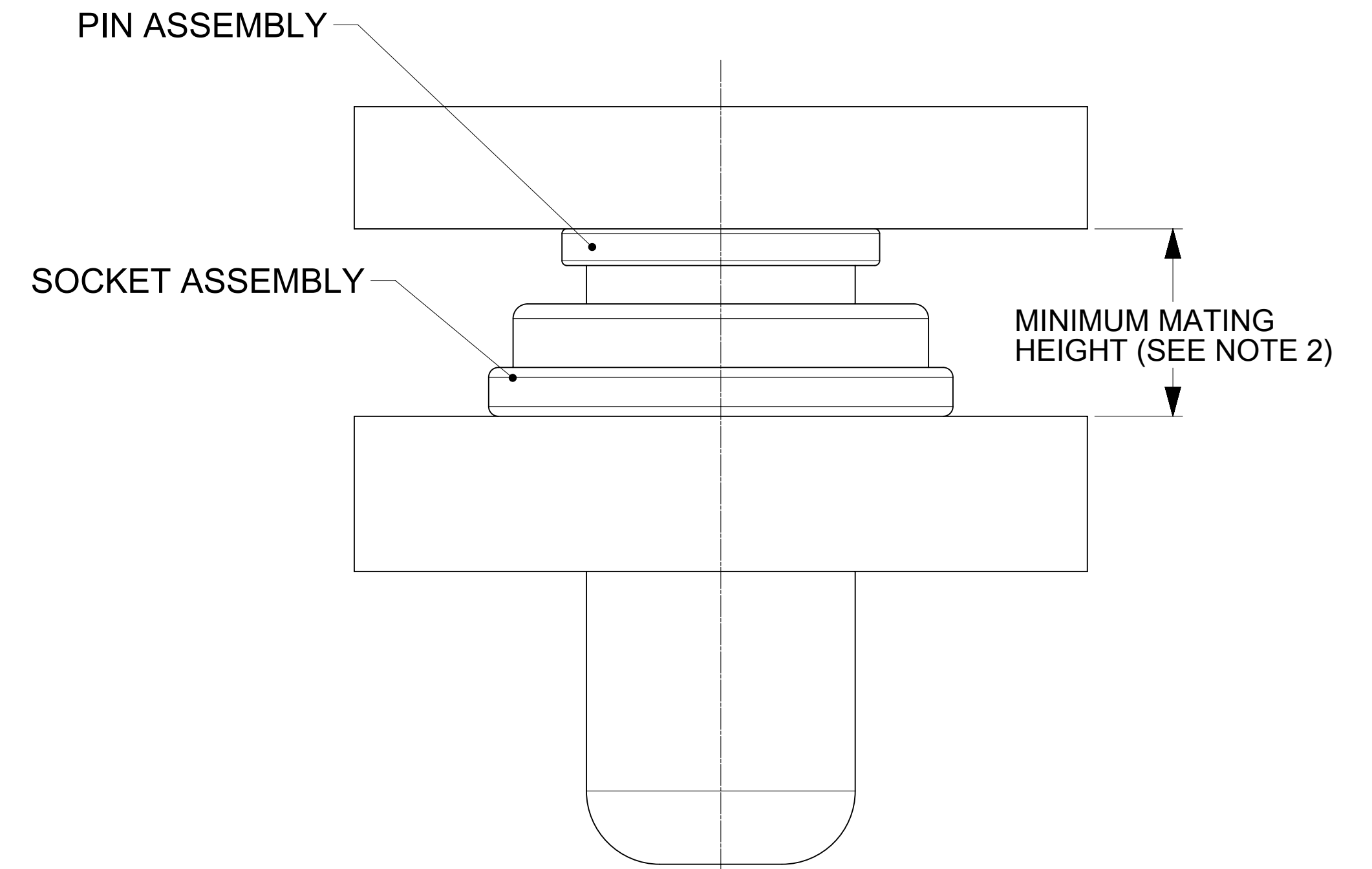
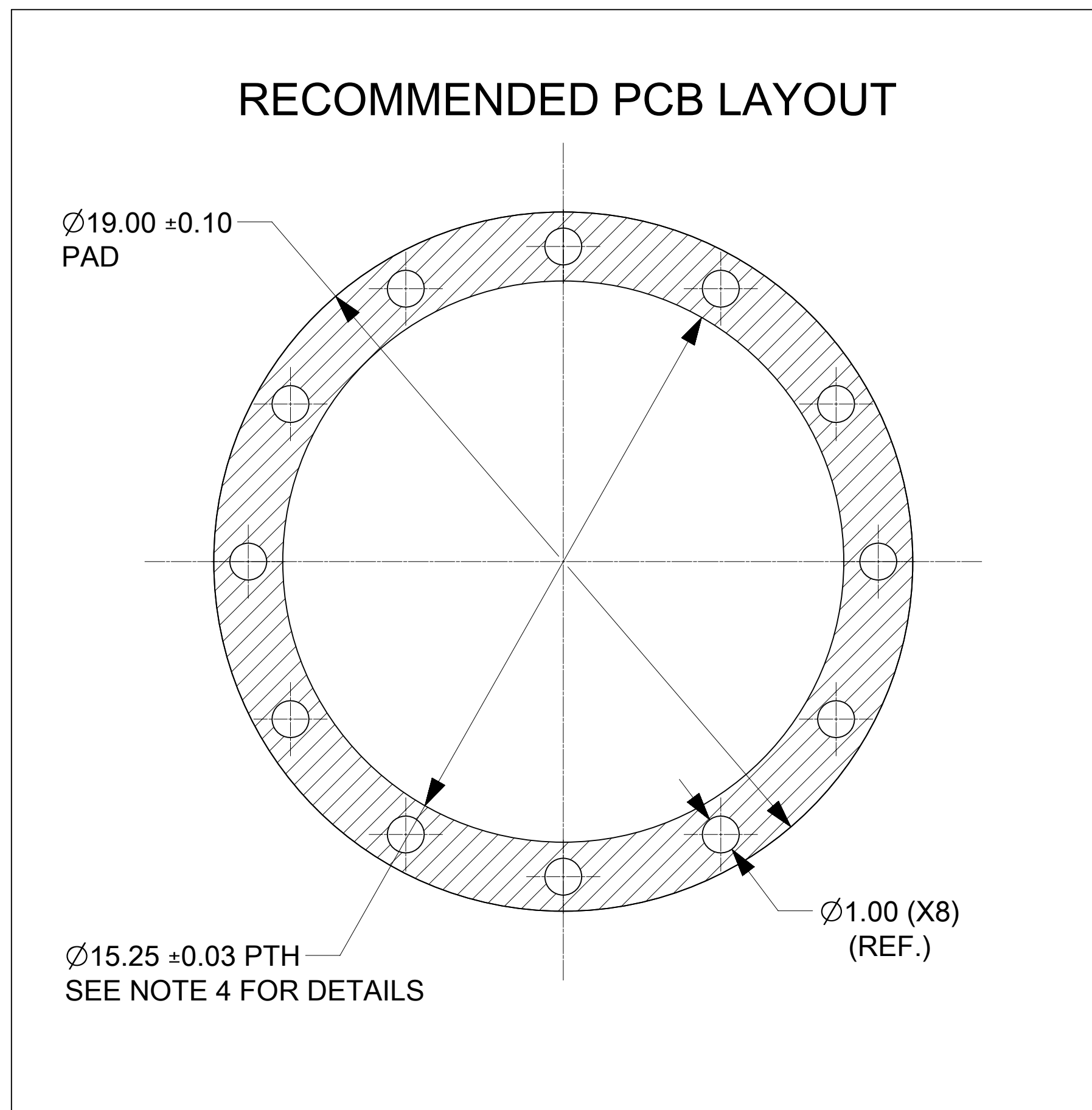
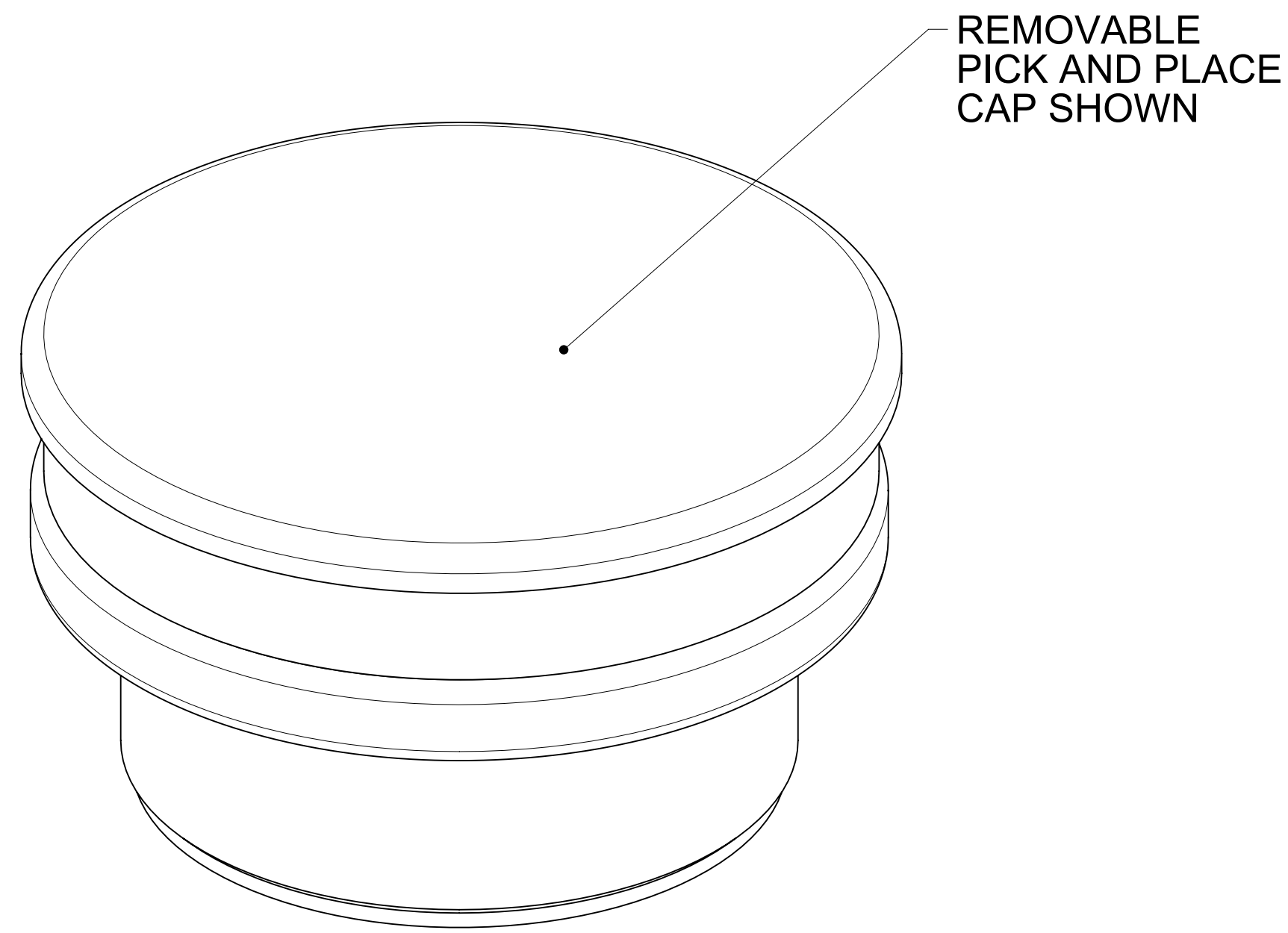


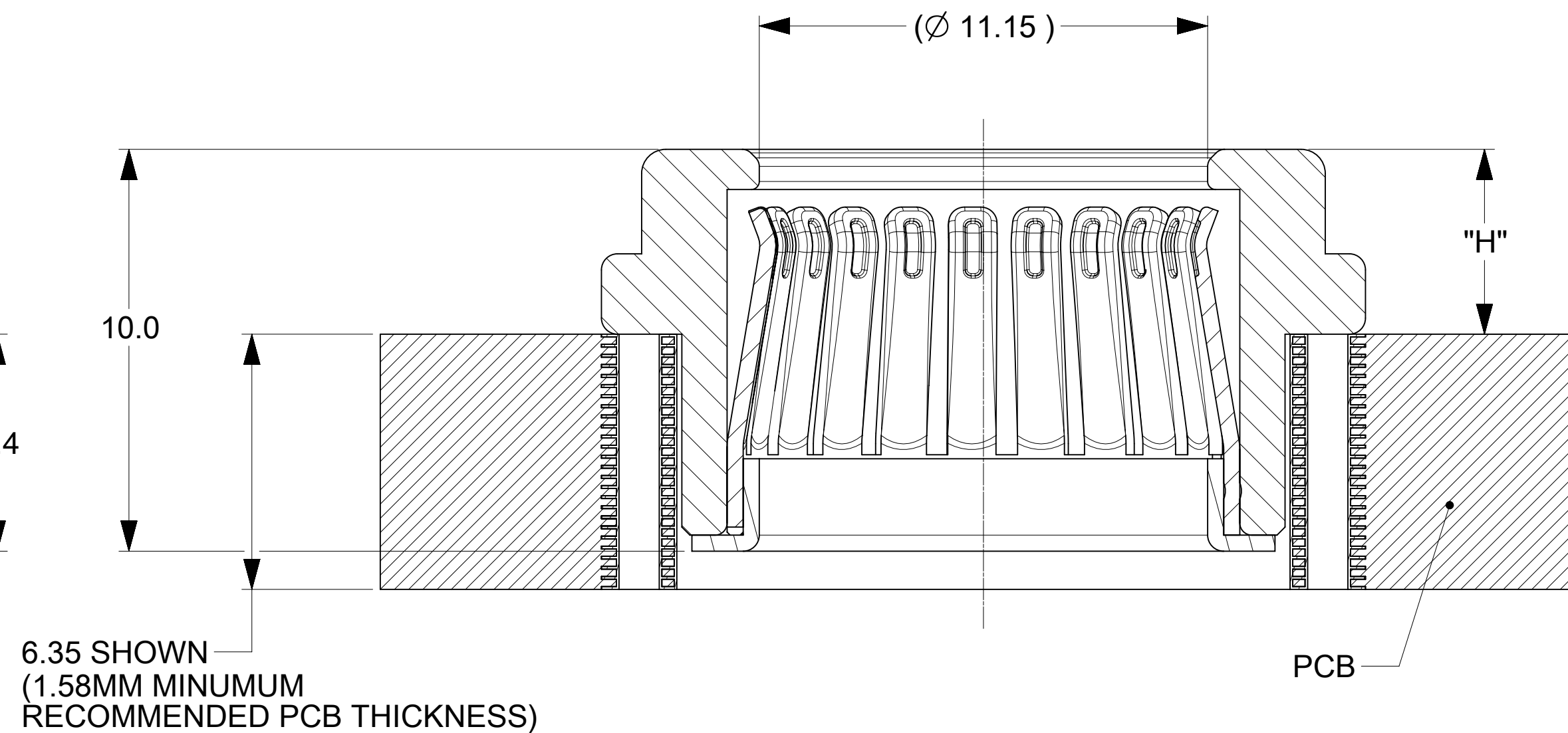
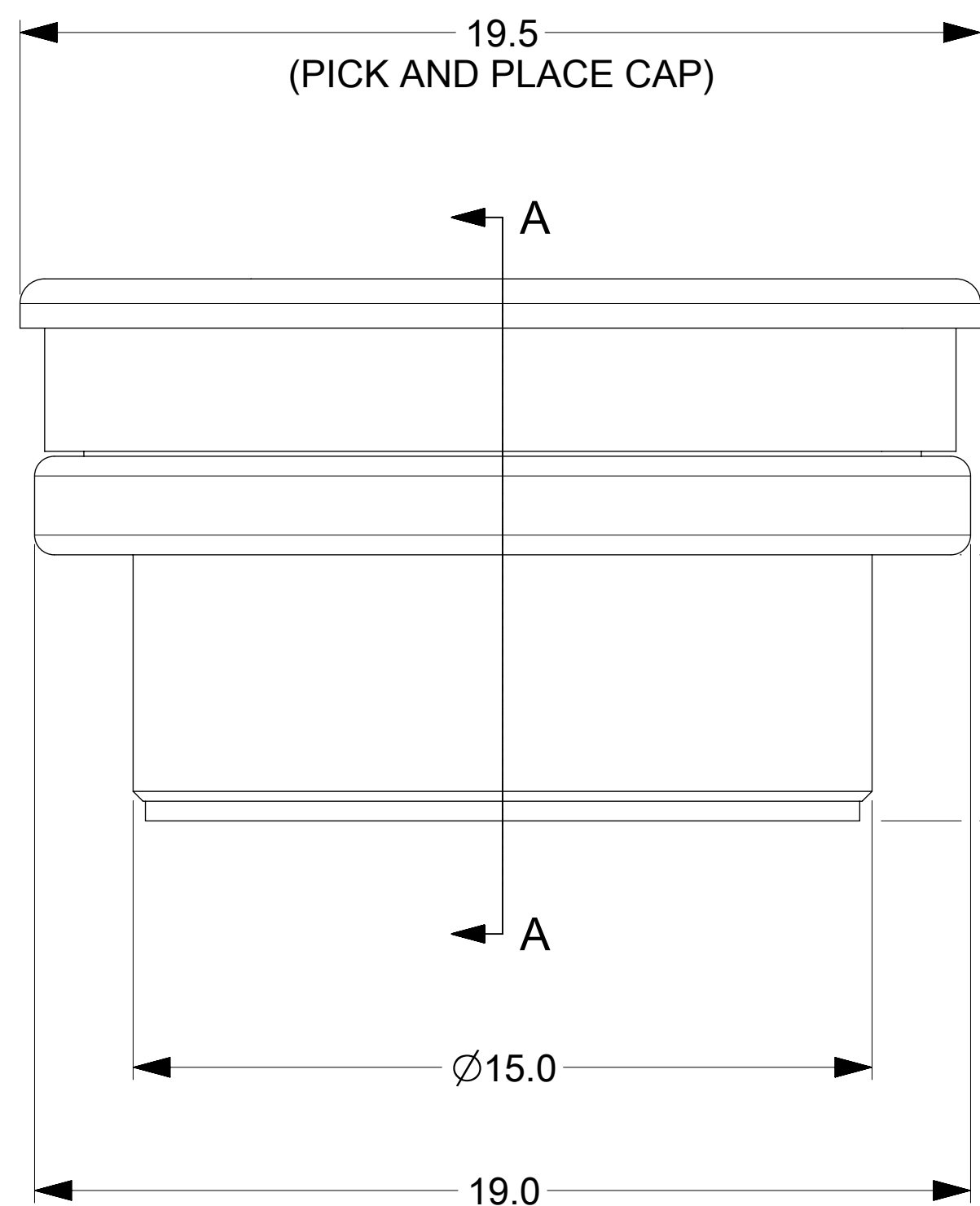
PART NUMBER	DIM "H"	NOTE
213953-0001	4.60 ± 0.15	



**MATING PROFILE**

**NOTES:**

1. MATERIALS:  
RETENTION CAP: STAINLESS STEEL  
PICK AND PLACE CAP: LCP UL94, V-0 COLOR BLACK  
BASE METAL: HIGH CONDUCTIVE COPPER ALLOY  
PLATING ON CONTACTS: 0.75 MICRON MIN GOLD OVER 1.27 MICRON MIN NICKEL  
PLATING ON BODY: 3.18 MICRON MIN SILVER OVER 1.27 MICRON MIN NICKEL
2. MATES WITH MOLEX 11MM MALE PIN:
  - i. 11.0MM SMT MALE PIN DRAWING 213901-0000-SD, MIN. MATING DISTANCE 7.32MM
  - ii. 11.0MM PRESS FIT MALE PIN DRAWING 213900-0000-SD, MIN. MATING DISTANCE 7.67MM
  - iii. 11.0MM SCREW MOUNT MALE PIN DRAWING 213902-0000-SD, MIN. MATING DISTANCE 10.67MM
3. PRODUCT SPECIFICATION: 2138800001-PS
4. APPLICATION SPECIFICATION: 2138800001-AS  
SEE APPLICATION SPEC FOR SOLDERING INFORMATION.
5. PACKAGING SPECIFICATION: 2139530001-PK(TAPE AND REEL)
6. SILVER COMPONENTS WILL BE SUPPLIED TARNISH FREE BUT MAY TARNISH OVER TIME.
7. PICK AND PLACE CAP TO BE REMOVED AFTER SOLDERING. CAP TO BE PULLED OUT FROM THE TOP.



**SECTION A-A  
(PICK AND PLACE CAP NOT SHOWN)**

THIS DRAWING CONTAINS INFORMATION THAT IS PROPRIETARY TO MOLEX ELECTRONIC TECHNOLOGIES, LLC AND SHOULD NOT BE USED WITHOUT WRITTEN PERMISSION															
DIMENSION UNITS		SCALE		CURRENT REV DESC: UPDATED THE TOLERANCE VALUE AND THE TITLE BLOCK				<b>molex</b>							
mm		NTS													
GENERAL TOLERANCES (UNLESS SPECIFIED)				EC NO: 747243 DRWN: SOURAJ 2023/02/20 CHK'D: SCS02 2023/04/25 APPR: HTHYAGARAJ 2023/04/26 INITIAL REVISION: DRWN: TOMLU 2020/02/11 APPR: BPISZCZOR 2020/10/16						11.0MM SENTRALITY TOP ENTRY SMT STANDARD SOCKET IN T&R					
ANGULAR TOL ± 0.5°										PRODUCT CUSTOMER DRAWING					
4 PLACES ±										DOCUMENT NUMBER		DOC TYPE		DOC PART	
3 PLACES ±										2139530000-SD		PSD		000 A2	
2 PLACES ± 0.15										MATERIAL NUMBER		CUSTOMER		SHEET NUMBER	
1 PLACE ± 0.25										SEE CHART		GENERAL MARKET		1 OF 1	
0 PLACES ±				DRAFT WHERE APPLICABLE MUST REMAIN WITHIN DIMENSIONS		THIRD ANGLE PROJECTION		DRAWING SERIES							
		D-SIZE		213953											