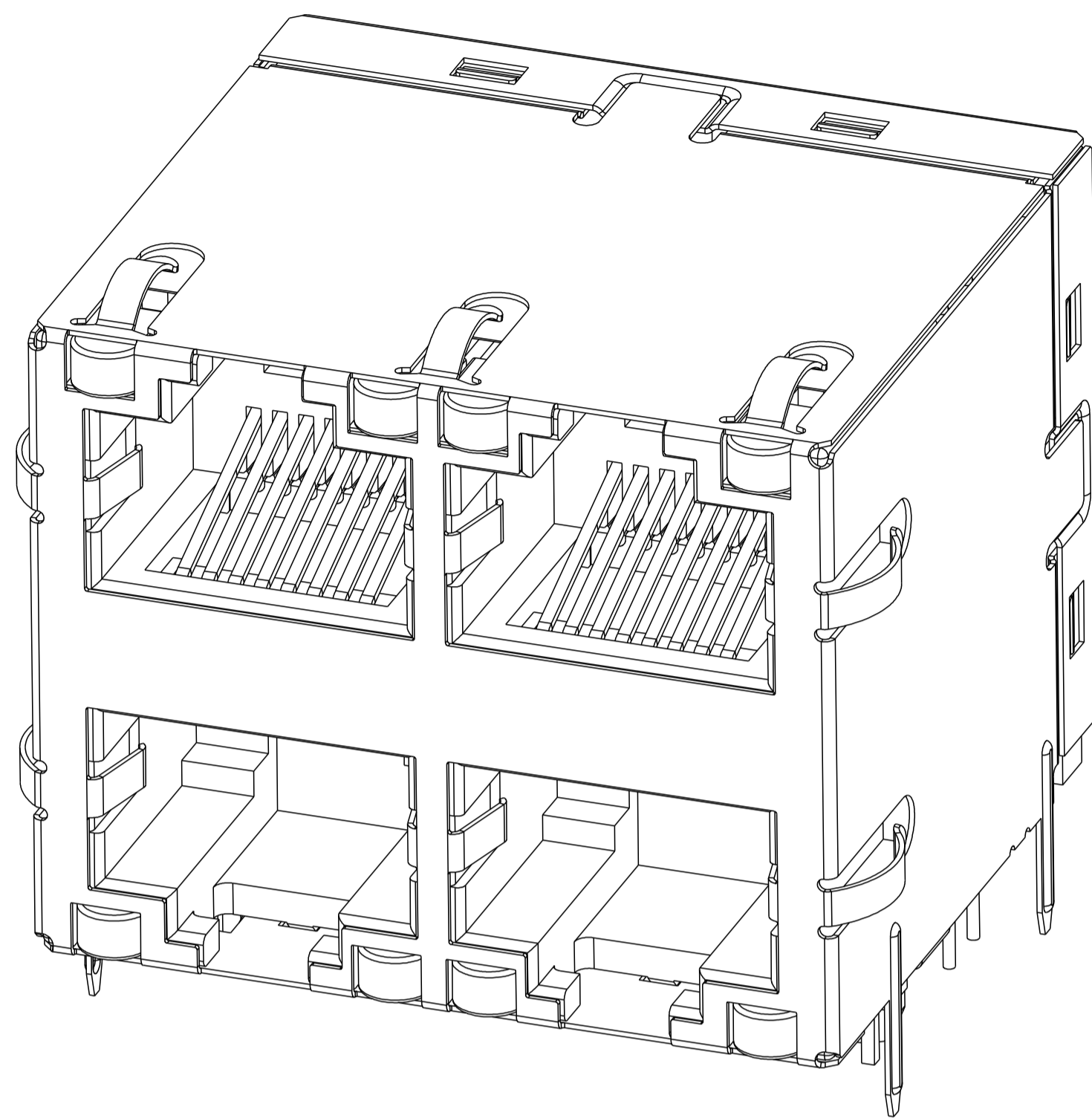


THIS DRAWING AND THE SUBJECT MATTER SHOWN THEREON ARE CONFIDENTIAL AND THE PROPERTY OF BEL/STEWART/TRP CONNECTOR AND SHALL NOT BE REPRODUCED, COPIED, OR USED IN ANY MANNER WITHOUT THE WRITTEN CONSENT OF TRP CONNECTOR.

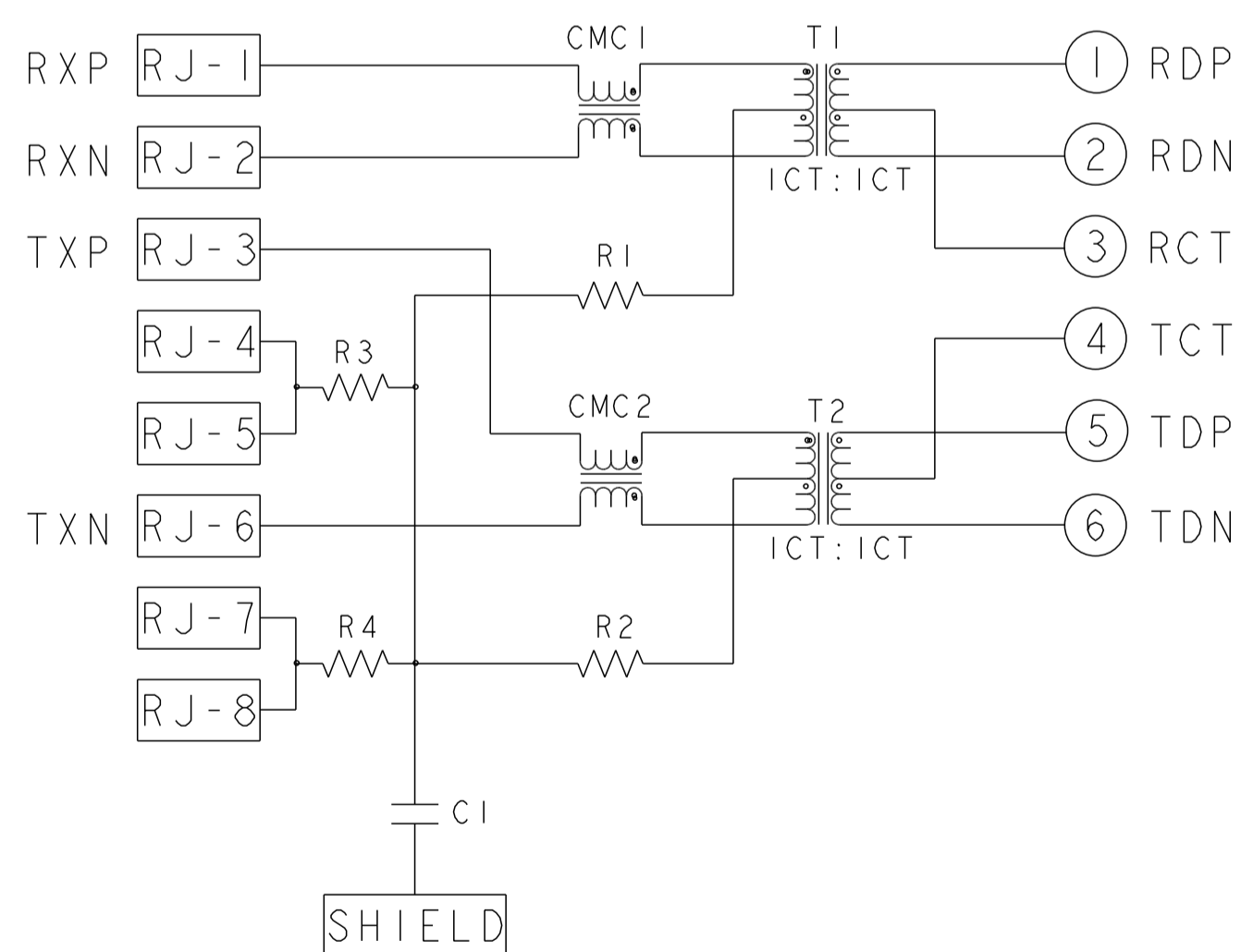
PRODUCT MAY BE PROTECTED BY ONE OR MORE OF THE FOLLOWING US PATENTS:
 5736910 5939955 6425781 6428361 6554638 6840817 7123117
 7429195 7717749 7808751 6217391 6149050 7924130

REVISIONS				
P	LTR	DESCRIPTION	DATE	DRW APVD
3		EC-1411035 COMPANY LOGO CHANGE	18DEC2014	GZ TY



S866ETP9 10/100 BASE-T CIRCUIT

TOP AND BOTTOM PORTS



C1 = 1000pF, 2kV, X7R DECOUPLING CAP
 R1-R4 = 75 Ohms, RESISTORS

- 1. MATERIALS:
 PLASTIC HOUSING: BLACK, THERMOPLASTIC FLAMMABILITY RATING UL 94V-0
 SHIELD: BRASS, PREPLATED WITH 0.76um MIN SEMI-BRIGHT NICKEL,
 POST DIPPED WITH 2.54um MIN SAC SOLDER ON SOLDER TAILS,
 CONTACTS: PHOSPHOR BRONZE, 1.27um MIN OVERALL NICKEL UNDERPLATE,
 WITH SELECT 1.27 um GOLD OR WITH SELECT 0.05um MIN GOLD OVER 0.76um MIN
 PALLADIUM-NICKEL AT MATING INTERFACE AND 2.54um MIN MATTE TIN ON
 SOLDER TAILS.
 LED: DIFFUSED EPOXY LENS, CARBON STEEL LEAD FRAME TAILS OF LED
 ARE PREPLATED WITH 2.03um MIN SILVER OVER 1.02um MIN NICKEL
 UNDERPLATE OVER 1.02um MIN COPPER UNDERPLATE. POST-PLATED WITH
 2.54um MIN MATTE TIN AND/OR SAC SOLDER DIP OR PURE TIN SOLDER DIP

- 2. MAGNETICS
 APPLICATION: 10/100 BASE-T, EXTENDED TEMPERATURE
 IMPEDANCE: 100 OHMS
 TURNS RATIO (CHIP:CABLE): TX = 1:1, RX = 1:1
 OPEN CIRCUIT INDUCTANCE (OCL): 350uH MIN @100kHz, 0.1VRMS,
 8mADC BIAS FROM -40°C TO +85°C, TX AND RX
 PERFORMANCE @ 25°C:
 INSERTION LOSS (IL): 1.1dB MAX FROM 0.5MHz TO 100MHz
 RETURN LOSS (RL): 18dB MIN FROM 0.5MHz TO 30MHz
 18-20LOG(f/30)dB MIN FROM 30.1MHz TO 60MHz
 12dB MIN FROM 60.1MHz TO 80MHz
 CROSSTALK ATTENUATION: 35dB MIN FROM 0.5MHz TO 40MHz
 33-20LOG(f/50)dB MIN FROM 40.1MHz TO 100MHz
 COMMON MODE REJECTION RATIO (CMRR): 30dB MIN FROM 0.5MHz TO 100MHz
 ISOLATION VOLTAGE: 2250VDC (MAX) FOR 60 SECONDS WITH A RISE TIME OF
 500V/SEC AND WITH ALL PORTS CONNECTED.

- 3. PART NUMBER, DATE CODE AND COUNTRY OF ORIGIN ARE
 LOCATED IN APPROXIMATE AREA SHOWN. DATE CODE: YYWW WHERE "YY" IS YEAR,
 "WW" IS WEEK, "D" IS DAY OF WEEK, WITH SUNDAY=1.

- 4. TRP LOGO AND AGENCY APPROVAL LOGO ARE
 LOCATED IN APPROXIMATE AREA SHOWN.

- 5. OPERATING TEMP: FROM -40°C TO +85°C.

- 6. RJ45 CAVITY CONFORMS TO FCC RULES AND REGULATION PART 68 SUBPART F.

- 7. INDICATED MAGNETIC CONNECTIONS ARE SYMMETRICAL AND
 SUPPORT AUTO-MDI/MDIX.

- 8. DATUM AND BASIC DIMENSION ESTABLISHED BY CUSTOMER.

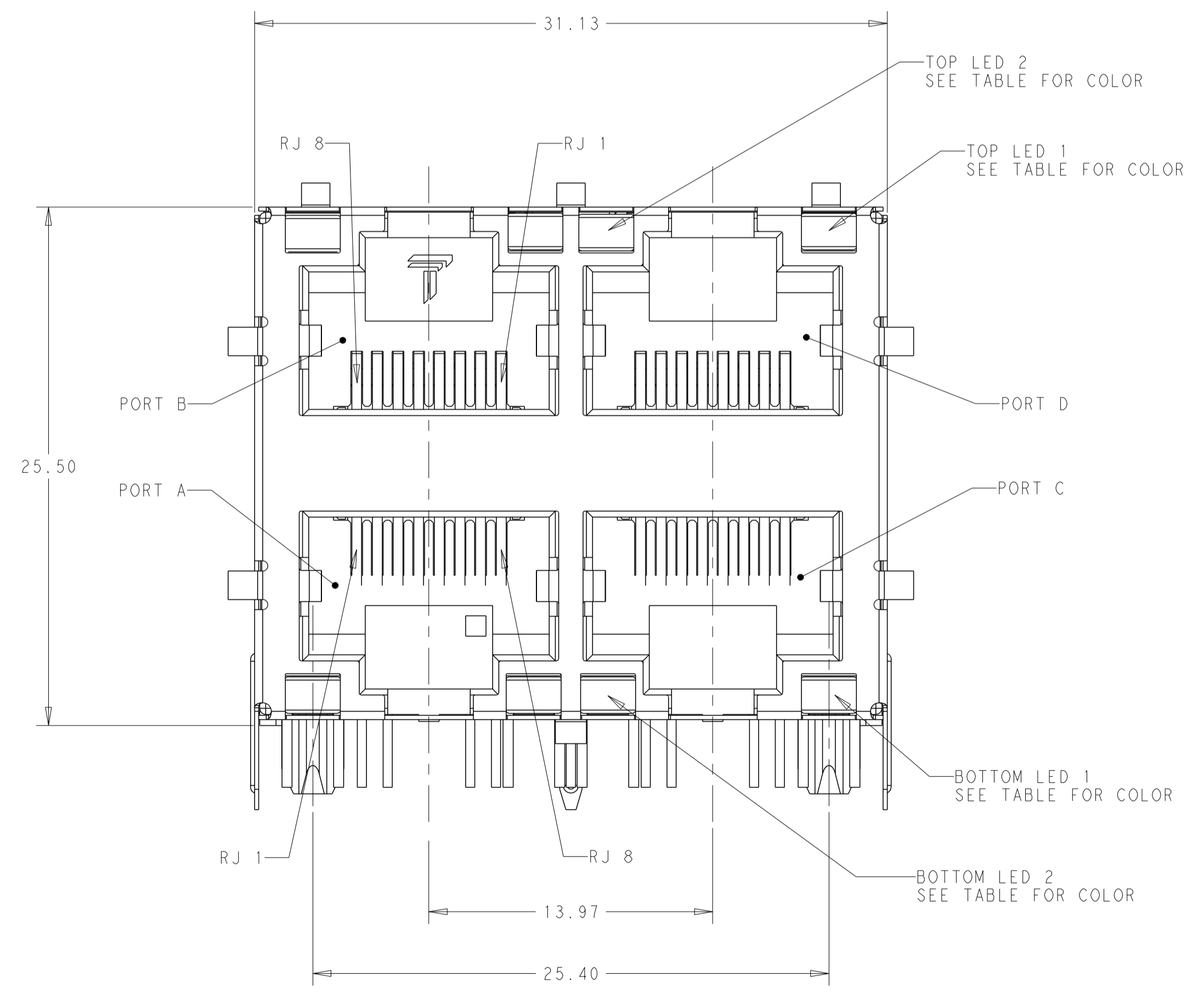
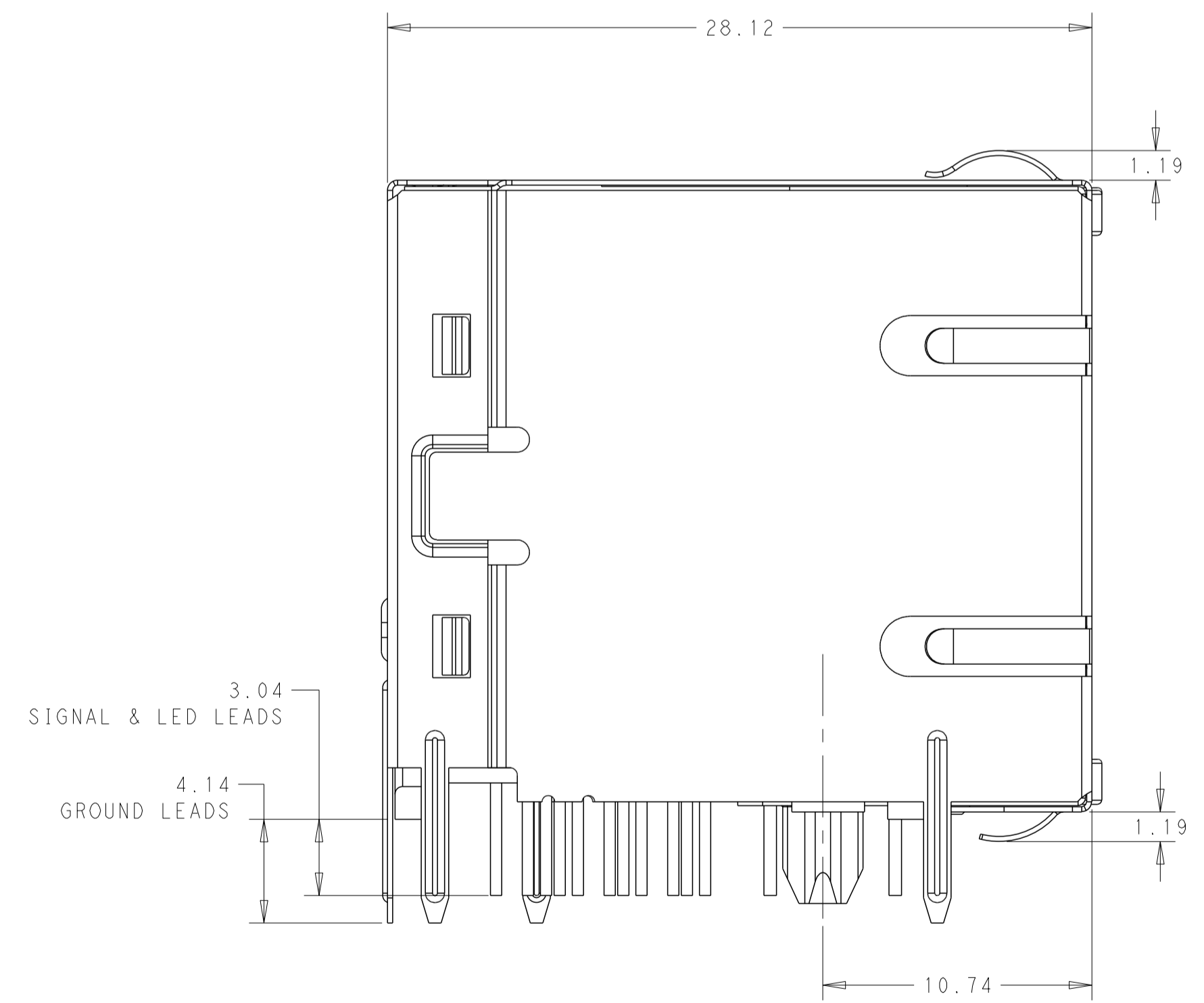
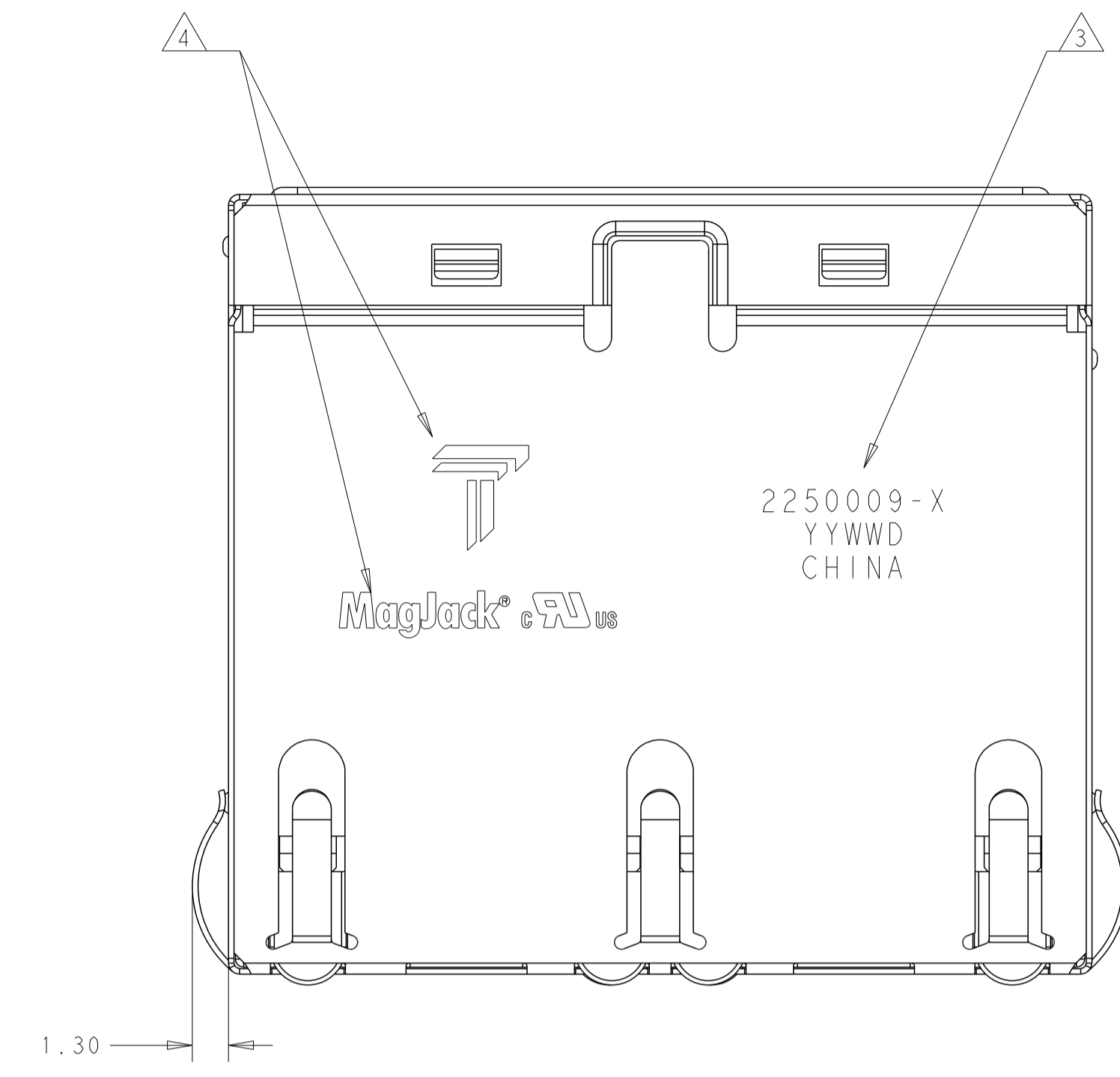
- 9. BASIC DIMENSION ESTABLISHED BY CUSTOMER, BUT MAY NOT BE
 GREATER THAN 5.08mm.

- 10. LEDS ARE DRIVEN WITH CONSTANT CURRENT AT APPROX 20mA
 LED COLOR: DOMINANT WAVELENGTH (λD): GREEN 568 nm TYP. @ IF=20mA
 FORWARD VOLTAGE (VF): GREEN 2.2V TYP. @ IF=20mA
 DOMINANT WAVELENGTH (λD): YELLOW 588 nm TYP. @ IF=20mA
 FORWARD VOLTAGE (VF): YELLOW 2.1V TYP. @ IF=20mA

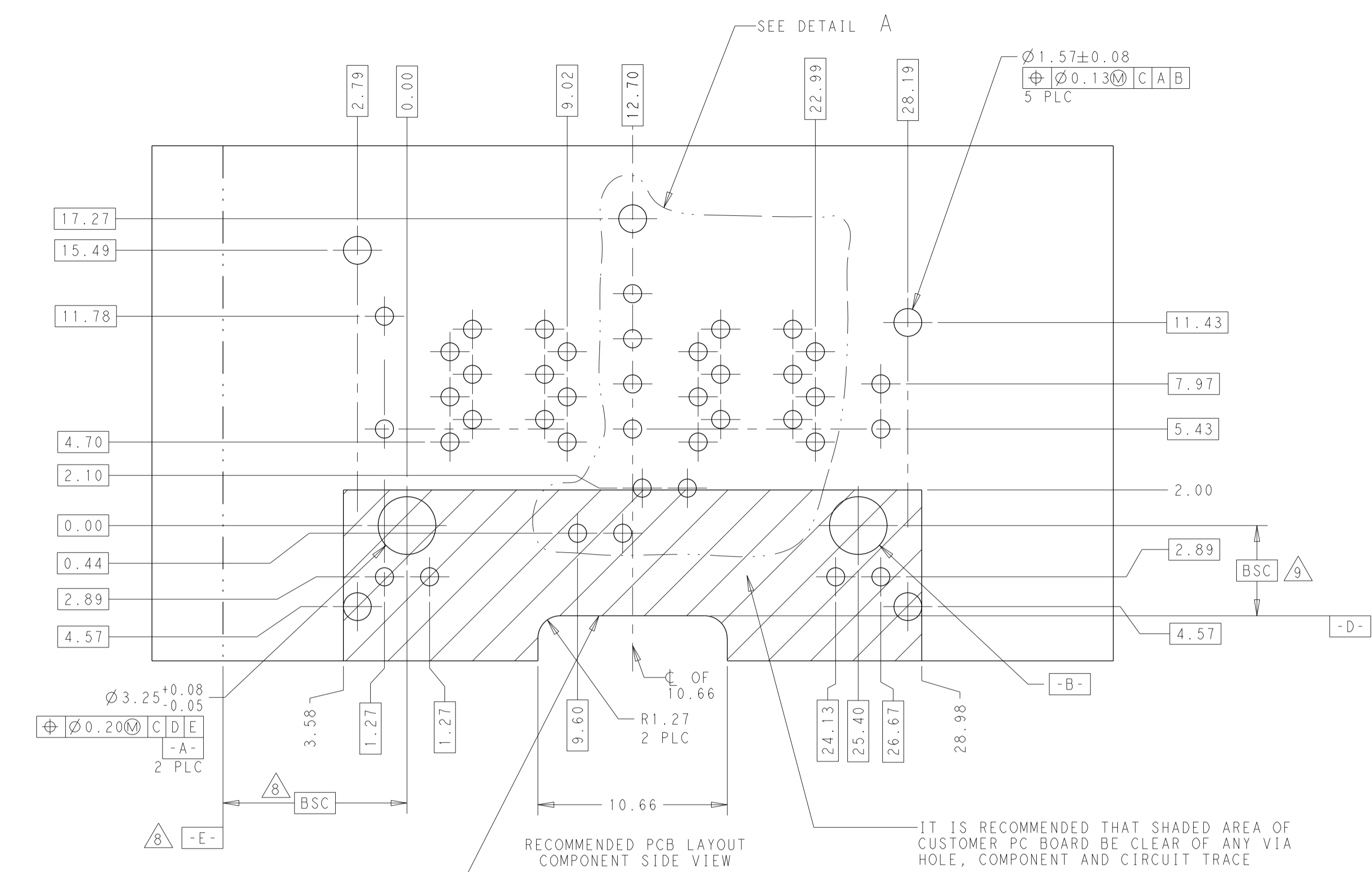
- 11. THE PARTS ARE RECOMMENDED FOR WAVE SOLDERING PROCESS,
 PEAK TEMPERATURE 260°C MAX, 10 SECONDS MAX.

GRN/YEL	GRN/YEL	GRN/YEL	GRN/YEL	2250009-4
GREEN	YELLOW	GREEN	YELLOW	2250009-3
BOTTOM LED 2	BOTTOM LED 1	TOP LED 2	TOP LED 1	PART NUMBER

THIS DRAWING IS A CONTROLLED DOCUMENT.		DRW: 07MAY2013 TOMMY REN/ TERRY LIN	trp CONNECTOR a bel group DONGGUAN CHINA
DIMENSIONS: mm		CHK: 07MAY2013 TONY YUAN	
TOLERANCES UNLESS OTHERWISE SPECIFIED:		APVD: 07MAY2013 KEITH ZHU	
0 PLC ±0.25 1 PLC ±0.25 2 PLC ±0.25 3 PLC ±0.25 4 PLC ± ANGLES ±	PRODUCT SPEC 108-104004	MODEL NAME MAGJACK STACK Non-PoE	DESC 2X2 S866P9ET 10/100 W/ LED SIZE: A1 CAGE CODE: C=2250009 DRAWING NO: 2250009 RESTRICTED TO: - SCALE: 4:1 SHEET 1 OF 4 REV 3
CUSTOMER DRAWING			



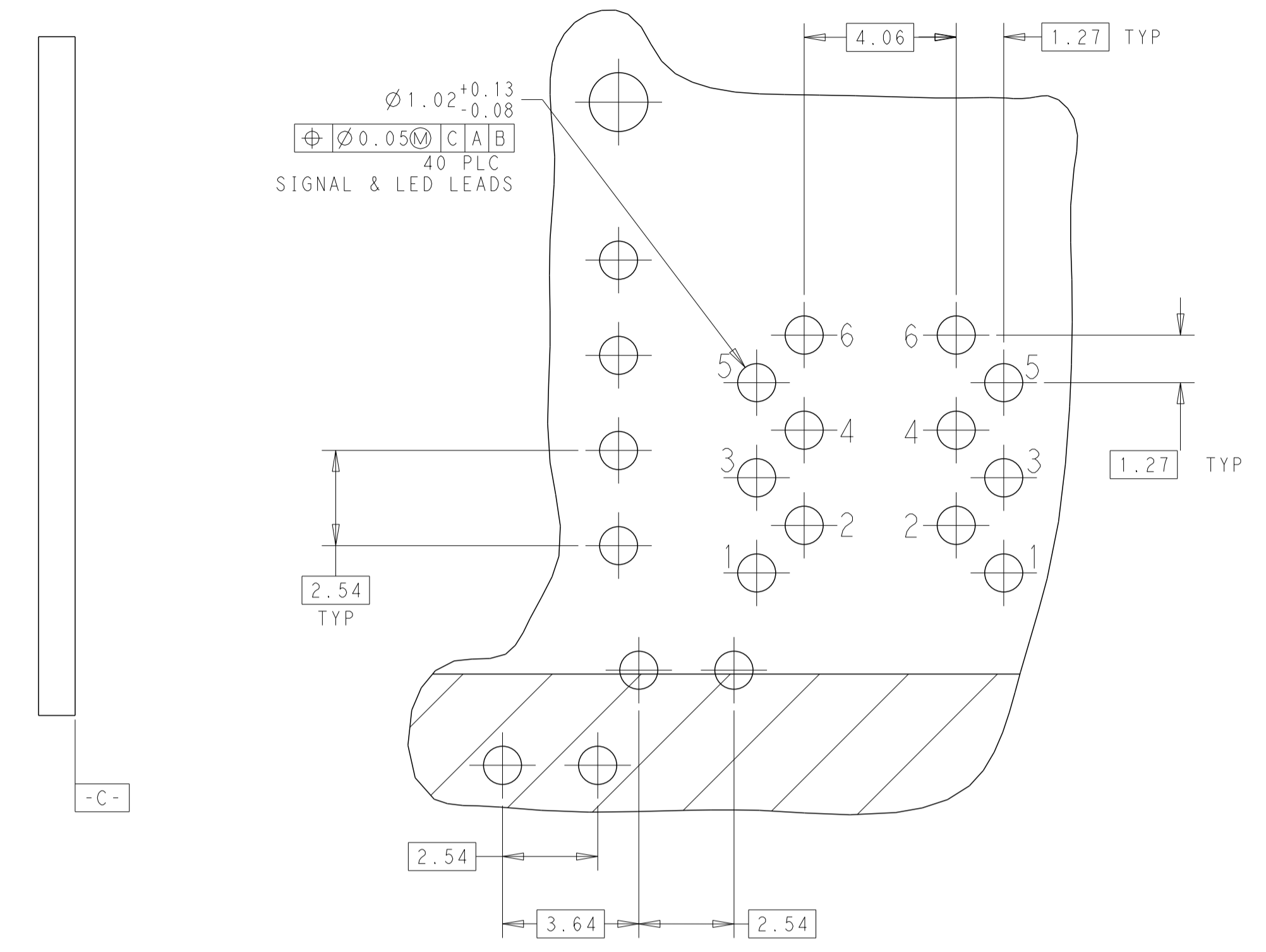
THIS DRAWING IS A CONTROLLED DOCUMENT.		DWG: TOMMY REN / 07MAY2013 CHK: TONY YUAN / 07MAY2013 APD: KEITH ZHU / 07MAY2013	DONGGUAN CHINA
DIMENSIONS: mm	TOLERANCES UNLESS OTHERWISE SPECIFIED: 0 PLC ±0.25 1 PLC ±0.25 2 PLC ±0.25 3 PLC ±0.25 4 PLC ± ANGLES ± APPLICATION SPEC ±	MODEL NAME: MAGJACK DESC: 2X2 S866P9ET 10/100 W/ LED	
PRODUCT SPEC 108-104004		SIZE: A1 CAGE CODE: C=2250009 DRAWING NO: 108-104004 RESTRICTED TO: -	SCALE: 4:1 SHEET: 2 OF 4 REV: 3



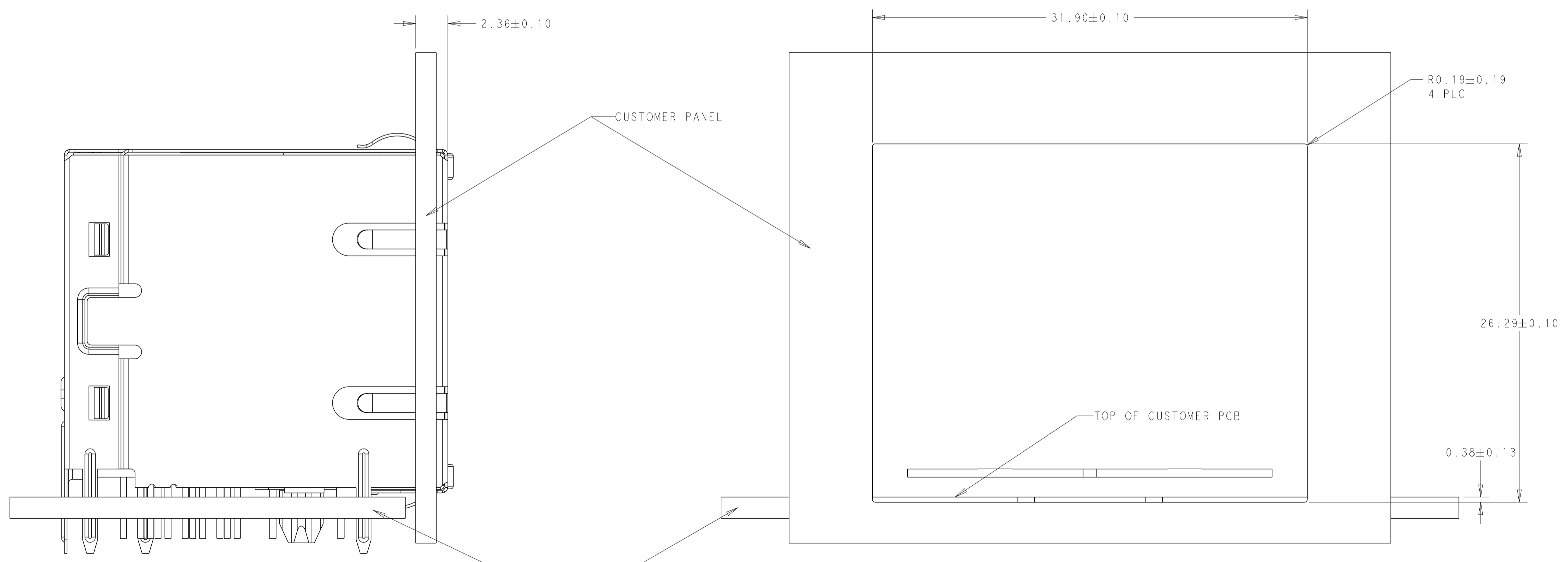
RECOMMENDED PCB FRONT EDGE CUTOUT:
THE BOTTOM SHIELD GROUND TABS(FRONT)
SHOULD NOT BE SEATED ON THE TOP OF THE PCB

RECOMMENDED PCB LAYOUT
COMPONENT SIDE VIEW

IT IS RECOMMENDED THAT SHADED AREA OF
CUSTOMER PC BOARD BE CLEAR OF ANY VIA
HOLE, COMPONENT AND CIRCUIT TRACE



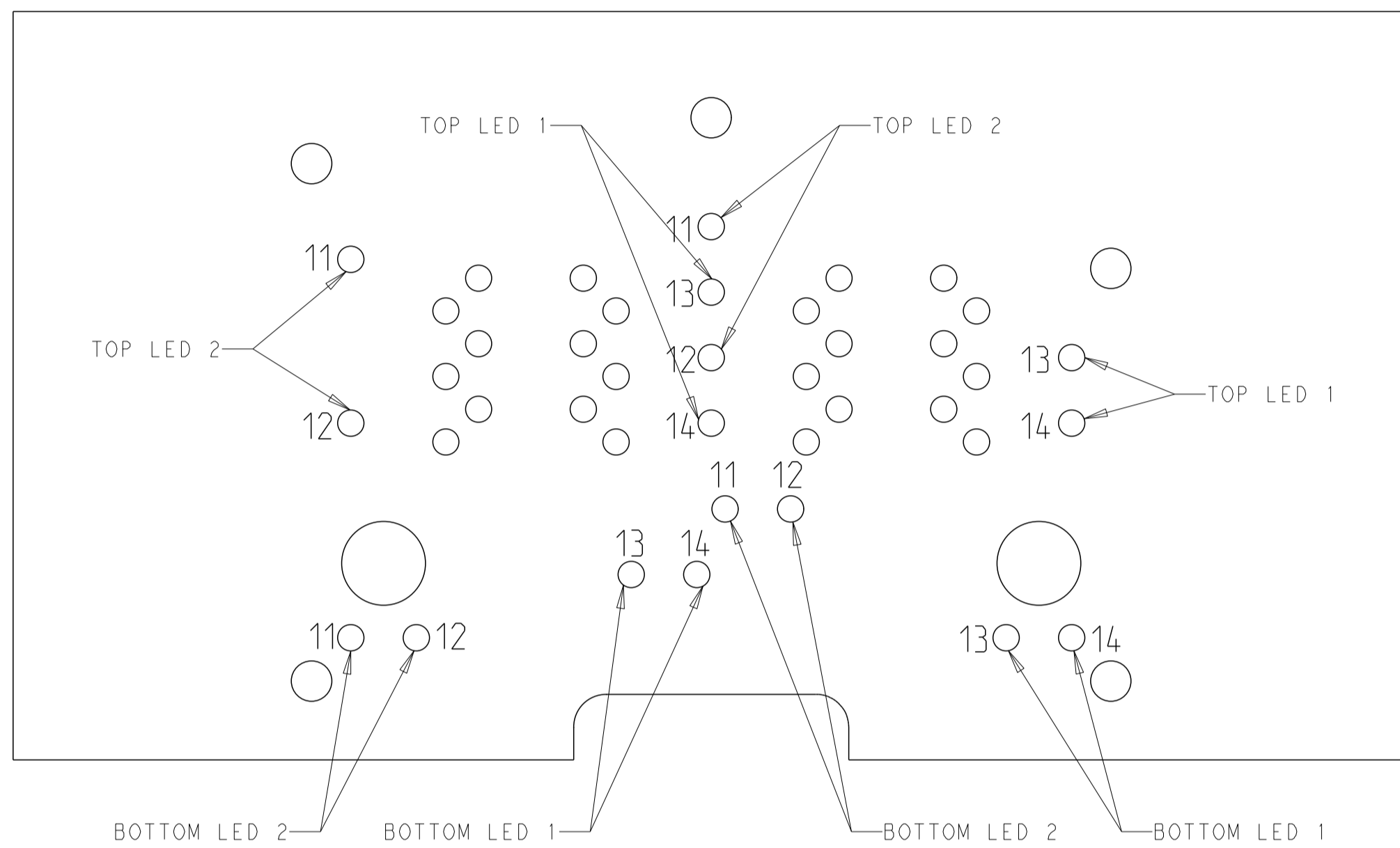
DETAIL A
SCALE 8:1



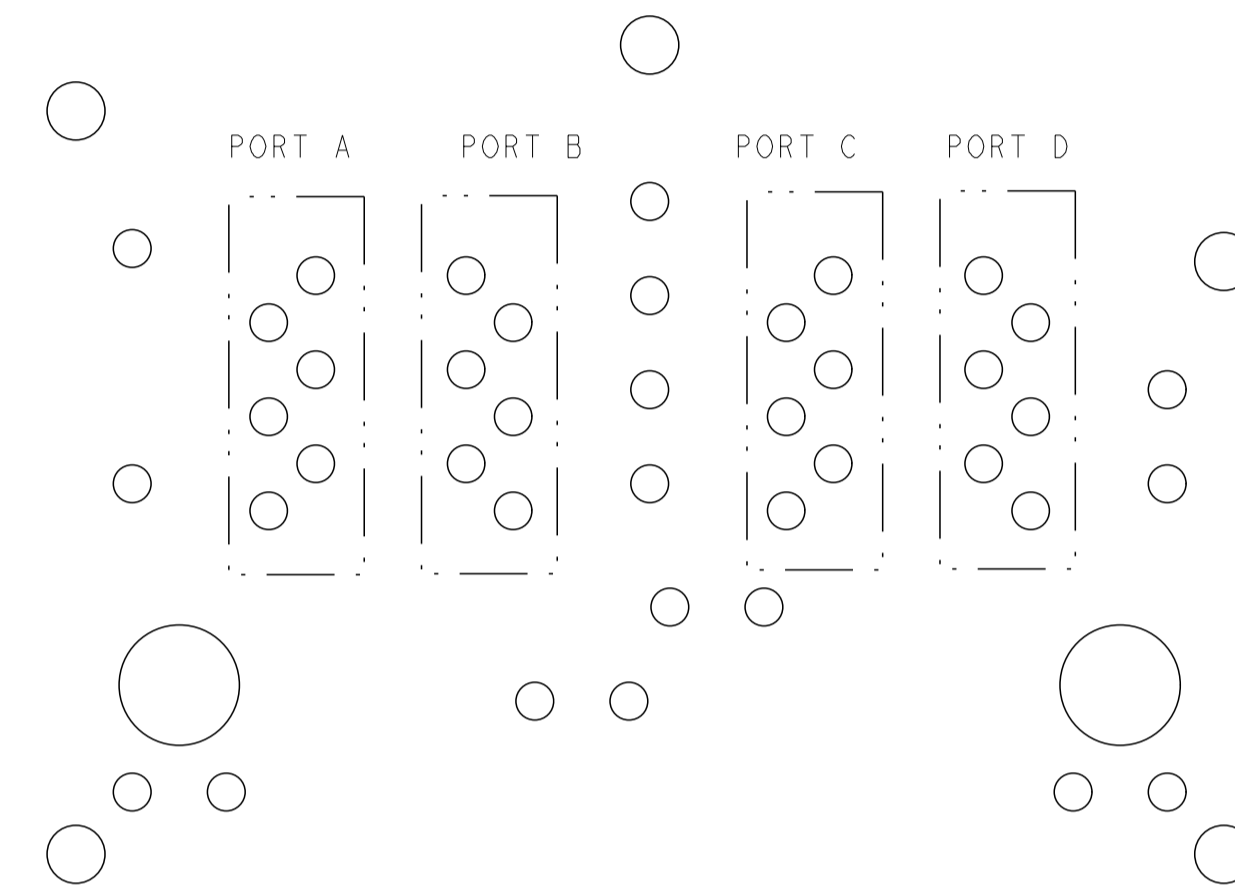
SHOWN WITH PANEL AND
CUSTOMER PCB ASSEMBLY

SUGGESTED PANEL CUTOUT DIMENSIONS

THIS DRAWING IS A CONTROLLED DOCUMENT.		DRW: TOMMY REN/ 07MAY2013		DONGGUAN CHINA
		CHK: TONY YUAN/ 07MAY2013		
		APP'D: KEITH ZHU/ 07MAY2013	DESC: 2X2 S866P9ET 10/100 W/ LED	
		MODEL NAME: MAGJACK	SIZE: A1	RESTRICTED TO: -
PRODUCT SPEC: 108-104004		APPLICATION SPEC: -	CAGE CODE: - DRAWING NO: C=2250009	
		CUSTOMER DRAWING		SCALE: 4:1 SHEET 3 OF 4 REV 3

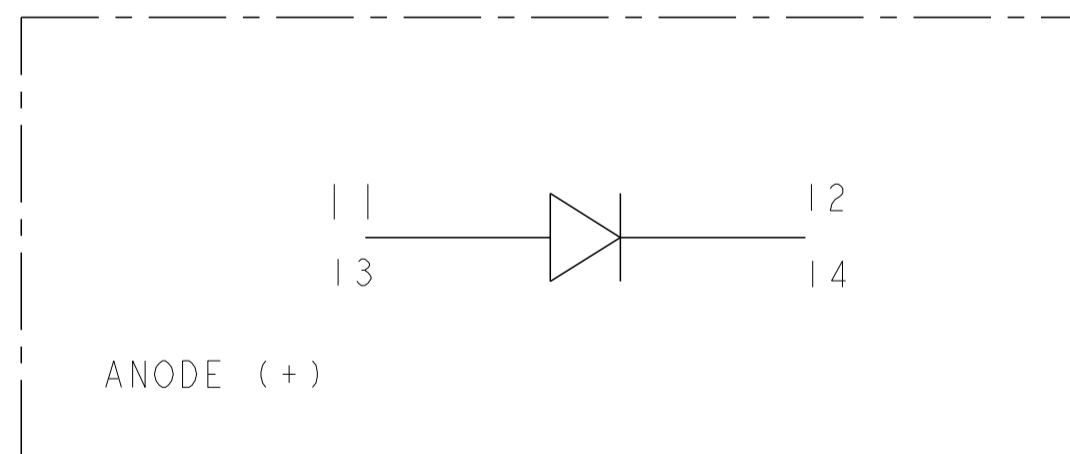


LED HOLE DESIGNATIONS
VIEWED FROM COMPONENT SIDE

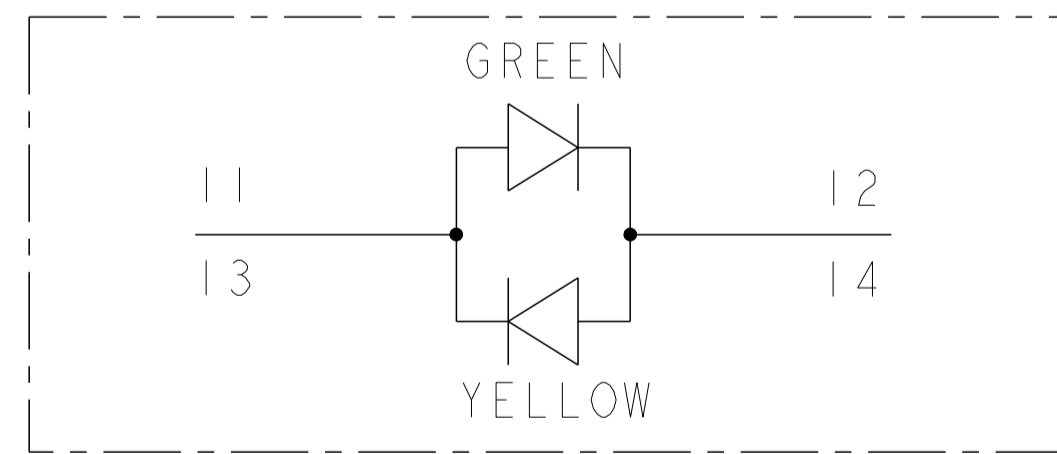



PORT DESIGNATIONS
VIEWED FROM COMPONENT SIDE

SINGLE COLOR LED



BI-COLOR LED



THIS DRAWING IS A CONTROLLED DOCUMENT.		DWY: TOMMY REN/ TERRY LIN 07MAY2013		 trp CONNECTOR <small>a bel group</small>		DONGGUAN CHINA	
DIMENSIONS: mm		CHK: TONY YUAN 07MAY2013				DESC: 2X2 S866P9ET 10/100 W/ LED	
TOLERANCES UNLESS OTHERWISE SPECIFIED:		APVD: KEITH ZHU 07MAY2013		MODEL NAME: MAGJACK		SIZE: A1	
0 PLC ±0.25		MODEL NAME: STACK Non-PoE		CAGE CODE: C=2250009		DRAWING NO: -	
1 PLC ±0.25		PRODUCT SPEC: 108-104004		SCALE: 4:1		SHEET 4 OF 4	
2 PLC ±0.25		APPLICATION SPEC: -		CUSTOMER DRAWING		REV 3	
3 PLC ±							
4 PLC ±							
ANGLES ±							