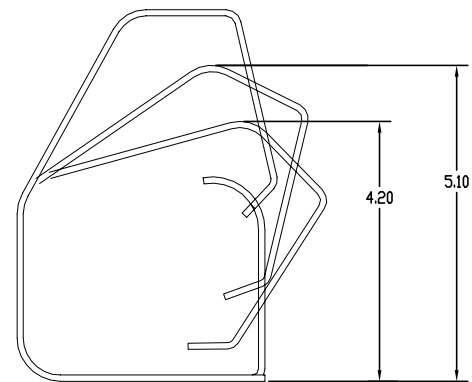
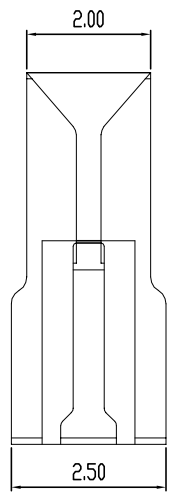
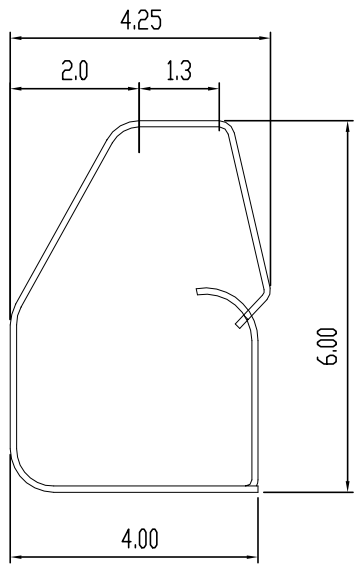
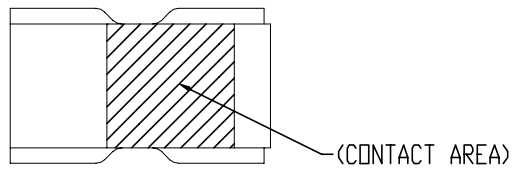
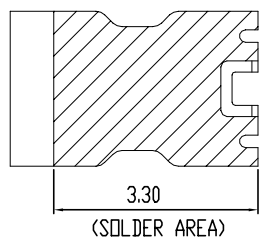


REVISIONS				
P	LTR	DESCRIPTION	DATE	APVD
	A	CHANGE REEL DEEPTH	28OCT2020	EZ DZ

- NOTE:
1. MATERIAL: COPPER ALLOY ,0.10±0.01mm THK.
 2. LEAD FREE
 3. 30u" MIN NI UNDERPLATING ALL OVER
100u"(MIN.) Pure Matte Tin PLATING ON SOLDER AREA
2u"(MIN.) GOLD ON CONTACT AREA
 4. RECOMMEND WORK RANG: 4.2mm~5.1mm



COMPRESSED DIM. (REFERENCE)

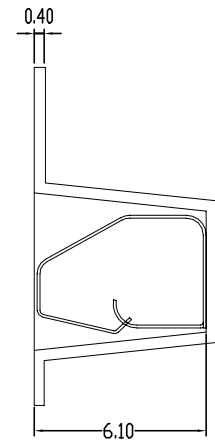
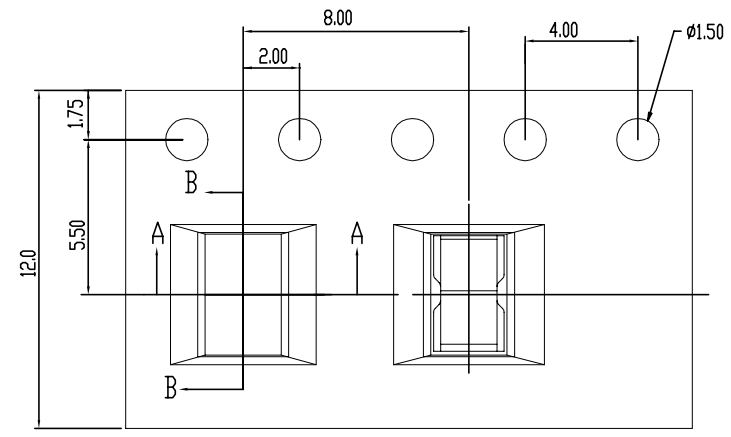


(SOLDER AREA)

2339640-1

THIS DRAWING IS A CONTROLLED DOCUMENT.		DWN	10JUL2018		TE Connectivity Ltd.		
		CHK	16JUN2018				
		APVD	16JUN2018		NAME		
DIMENSIONS:		TOLERANCES UNLESS OTHERWISE SPECIFIED:		PRODUCT SPEC			
mm				APPLICATION SPEC			
		0 PLC	± 0.3	WEIGHT			
		1 PLC	± 0.3	0			
		2 PLC	± 0.15	SIZE			
		3 PLC	± 0.15	A3			
		4 PLC	± -	CAGE CODE			
		ANGLES	± -	00779			
MATERIAL		FINISH		DRAWING NO			
-		-		C=2339640			
CUSTOMER DRAWING				RESTRICTED TO			
				SCALE		1:1	
				SHEET		1 OF 2	
				REV		A	

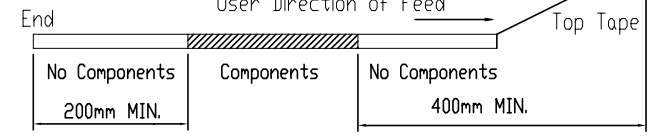
REVISIONS					
P	LTR	DESCRIPTION	DATE	DWN	APVD
-	-	SEE SHEET 1	-	-	-



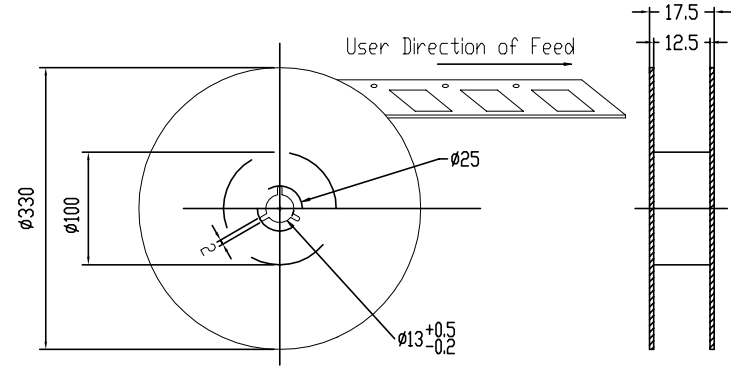
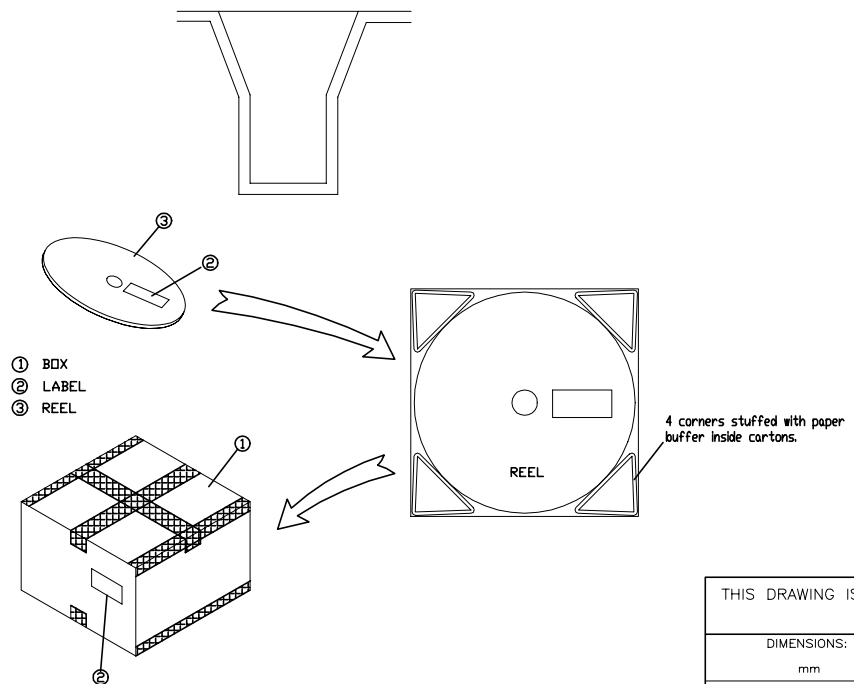
NOTE:

- 1. GENERAL TOLERANCE : ±0.3mm
- 2. PACKING STYLE : 1,400pcs/reel
- 3. MATERIAL :
CARRIER TAPE : ACRYLIC FILM
TOP TAPE : PET FILM
REEL : PLASTIC

4. TAPES DIMENSION



5. REEL DIMENSION : REFERENCE ONLY



THIS DRAWING IS A CONTROLLED DOCUMENT.		DWN	10JUL2018		STE TE Connectivity Ltd.
		CHK	16JUN2018		
		APVD	16JUN2018		NAME
		PRODUCT SPEC		6.0 HEIGHT SPRING FINGER	
		APPLICATION SPEC			
		WEIGHT		SIZE	
				CAGE CODE	
				DRAWING NO	
				RESTRICTED TO	
		CUSTOMER DRAWING		SCALE 1:1	
				SHEET 2 OF 2	
				REV A	