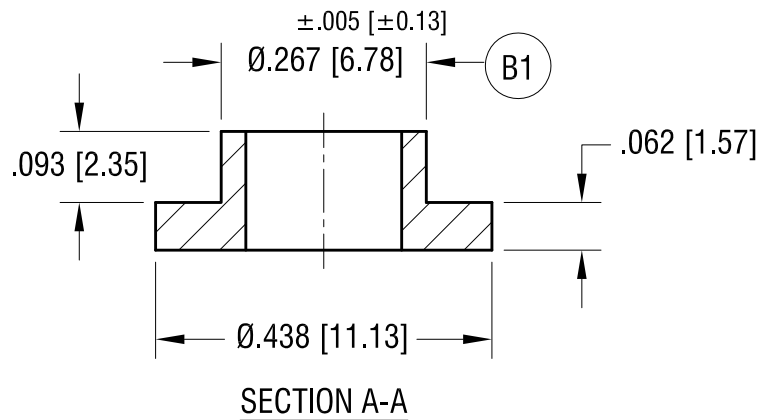
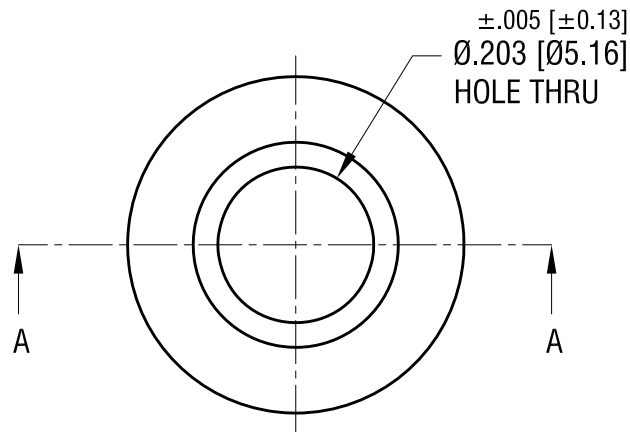
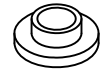


THIS DOCUMENT IS THE PROPERTY OF
KEYSTONE ELECTRONICS CORP. AND
SHALL NOT BE REPRODUCED, DISTRIBUTED
OR USED AS A BASIS FOR MANUFACTURE
WITHOUT PRIOR WRITTEN PERMISSION
FROM KEYSTONE ELECTRONICS CORP.

ACTUAL SIZE



2.12.20	(B1) WAS .260 ±.005 CHANGE AS PER ECN 20-010	B
5.22.12	I.D. WAS .196±.005 CHANGE AS PER ECN 12-070	A
DATE	DESCRIPTION	REV.

KEYSTONE ELECTRONICS CORP.			
www.keyelco.com • NEW HYDE PARK, NY 11040 • Tel (516) 328-7500			
PART NAME		NYLON SHOULDER WASHER	
MATERIAL		NYLON 6/6	
FINISH	NONE	DRN BY	BOONE
		APP'D	RH
		DATE	4.18.06
		SCALE	4X
TOLERANCES	INCH [MM]	CODE	DWG NO.
DECIMAL	± .010 [± 0.25]	C	3107
ANGULAR	± 1°		
UNLESS OTHERWISE SPECIFIED			