

4

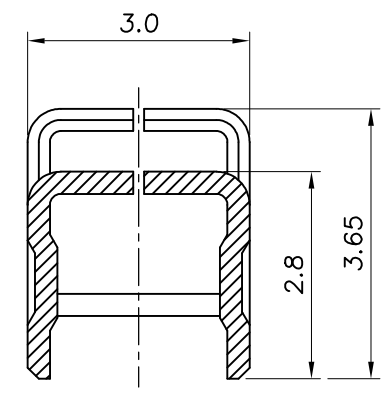
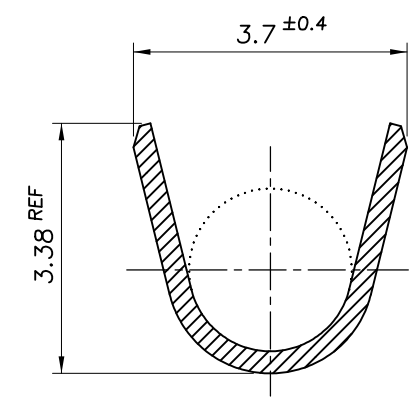
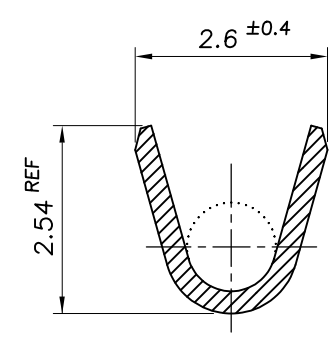
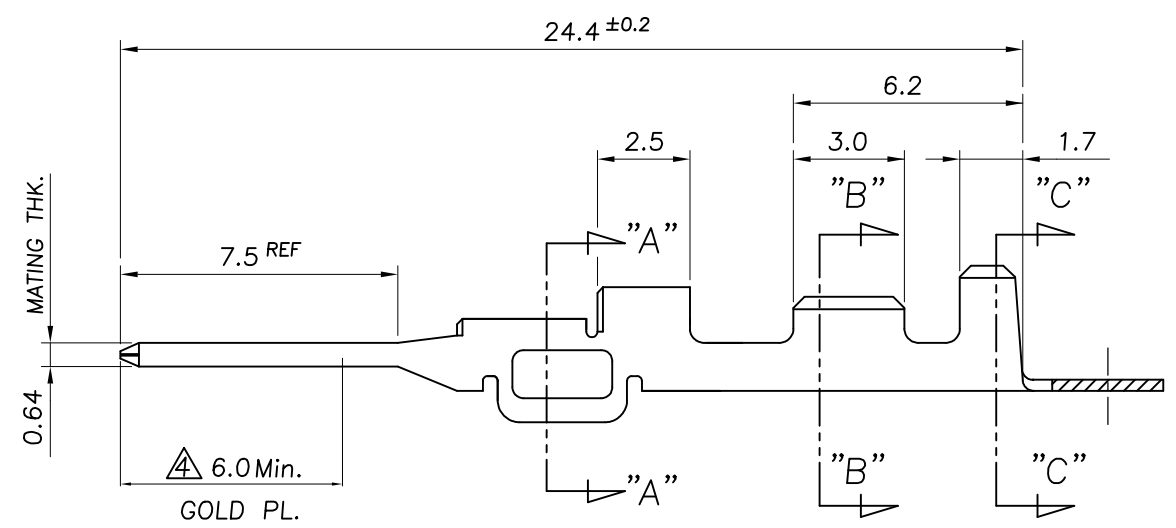
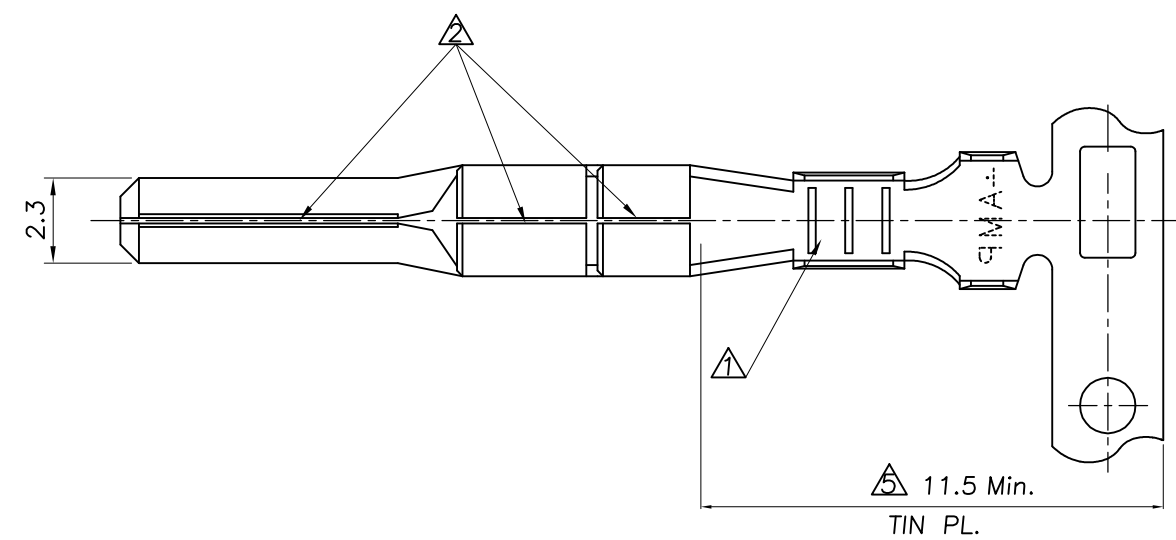
3

2

1

REVISIONS

P	LTR	DESCRIPTION	DATE	DWN	APVD
	B1	RELEASED (ECR-19-011725)	25/JUL/19	JW	YJ



\* NOTES

- △ THREE SERRATIONS CENTERED IN WIRE BARREL.
- △ 0.15 MAX GAP PERMISSIBLE.
- 3 WIRE SIZE EQUIV CAVUS 0.3 ~ AVS 0.5 sqmm.

4/5 SELECTIVE GOLD PRE-TINNED	BRASS STRIP 0.30THK.	1- 368088 -1
	FINISH	MATERIAL

THIS DRAWING IS A CONTROLLED DOCUMENT.		DWN : JG MOON		TE Connectivity	
DIMENSIONS:		CHK : BM JANG			
		APVD : CS LEE		NAME	
		PRODUCT SPEC 108-61021		.090 II MLC TAB CONTACT	
		APPLICATION SPEC 114-61004		DRAWING NO	
		WEIGHT NET; 0.33gf		RESTRICTED TO	
MATERIAL		FINISH		SIZE CAGE CODE DRAWING NO	
-		-		A3 00779 C- 3 6 8 0 8 8	
CUSTOMER DRAWING				SCALE 5/1 SHEET 1 OF 1 REV B1	