

DESCRIPTION: M12 MALE - PANEL MOUNT (REAR) - 4 POS.

**NOTE:**

**MATERIAL**

HOUSING: PBT UL94V-0, BLACK  
 CONTACT: BRASS  
 NUT: BRASS  
 SHELL: BRASS  
 O-RING: EPDM

**FINISH**

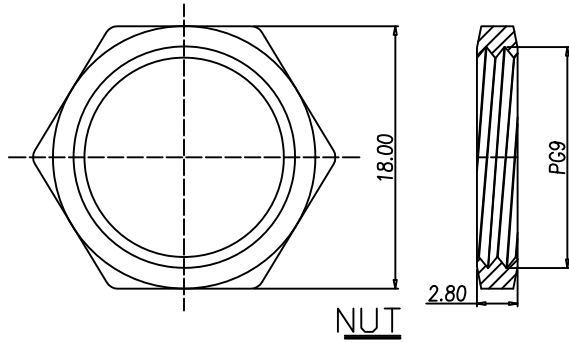
CONTACT: GOLD PLATED  
 OVER 50µ" NICKEL  
 NUT: NICKEL PLATED  
 SHELL: NICKEL PLATED

**ELECTRICAL**

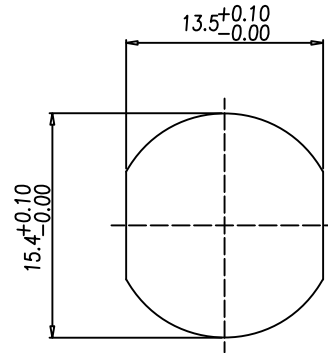
RATED CURRENT: 4A  
 RATED VOLTAGE: 250V  
 INSULATION RESISTANCE: 100 MΩhms MIN.  
 CONTACT RESISTANCE: 10 mΩhms MAX.  
 WATER PROOF: IP67

**ENVIRONMENT**

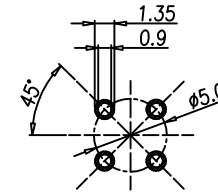
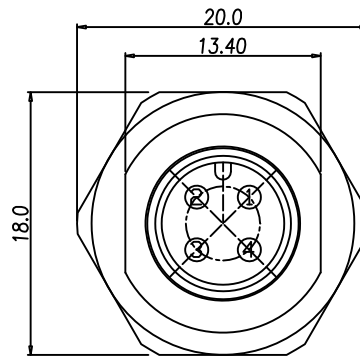
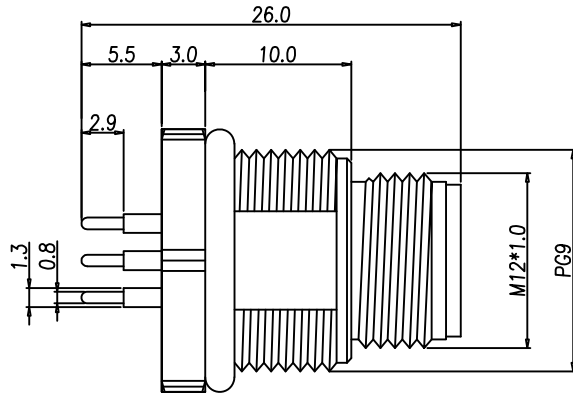
OPERATION TEMPERATURE: -40°C TO +85°C



NUT



RECOMMEND PANEL CUT-OUT

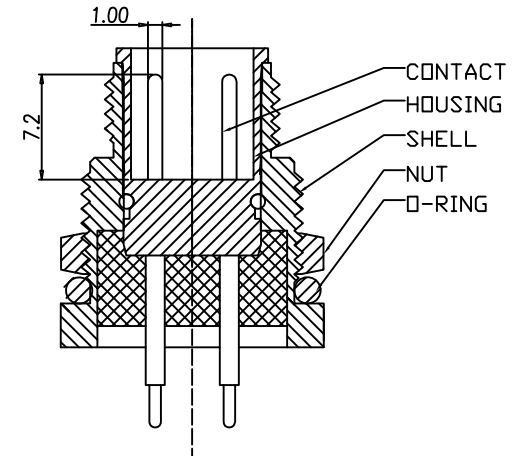


RECOMMEND P.C.B LAYOUT

**860-004-113R00Y**

3 = BRASS/NICKEL SHELL & NUT  
 S = STAINLESS STEEL SHELL & NUT

1 = GOLD FLASH  
 4 = 10µ" GOLD



**RoHS COMPLIANT**

UNITS = mm

DO NOT SCALE FROM DRAWING



THESE DRAWINGS AND SPECIFICATIONS ARE THE PROPERTY OF NorComp AND SHALL NOT BE REPRODUCED, COPIED OR USED AS THE BASIS FOR THE MANUFACTURE OR SALE OF APPARATUS WITHOUT WRITTEN PERMISSION.

DRAWN:

M. SIGMON

DATE:

03-07-16

**NorComp**

SCALE: NTS

SHEET 1 OF 1

REV 3

DWG NO.

860-004-113R00Y