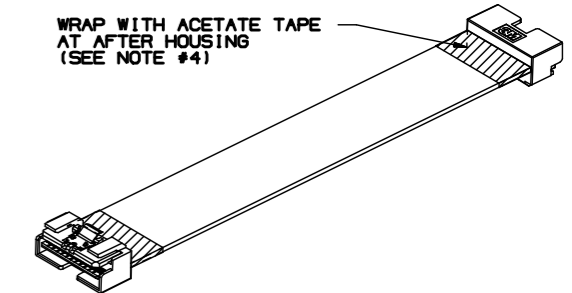
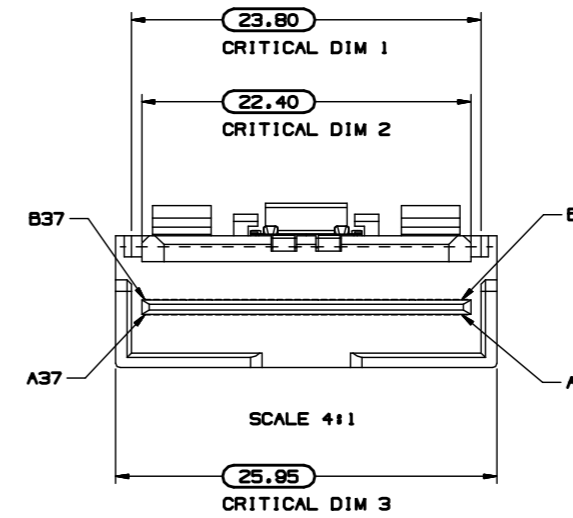
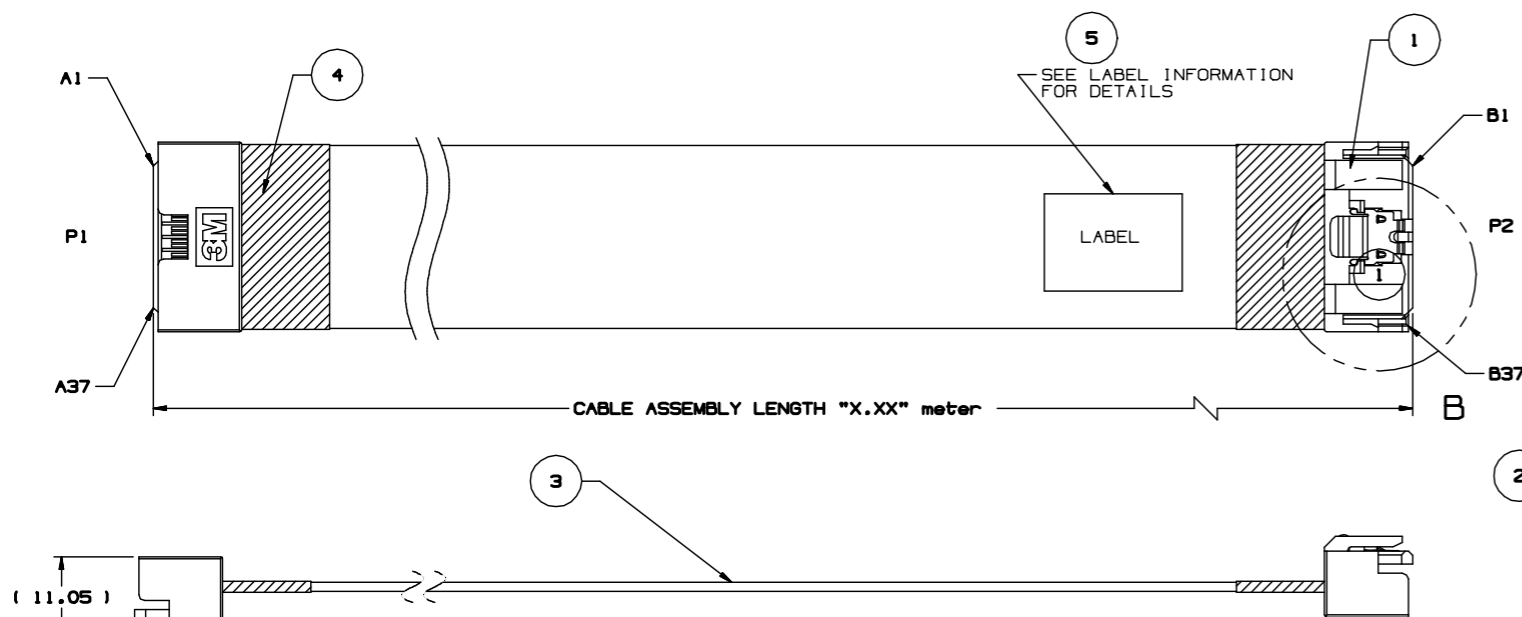


# 3M™ LOW PROFILE I/O TWIN AXIAL CABLE ASSEMBLY



| P1 LP1/O |       | P2 LP1/O | P1 LP1/O |       | P2 LP1/O |
|----------|-------|----------|----------|-------|----------|
| A1       | GND   | B1       | B1       | GND   | A1       |
| A2       | TX0+  | B2       | B2       | RX0+  | A2       |
| A3       | TX0-  | B3       | B3       | RX0-  | A3       |
| A4       | GND   | B4       | B4       | GND   | A4       |
| A5       | TX1+  | B5       | B5       | RX1+  | A5       |
| A6       | TX1-  | B6       | B6       | RX1-  | A6       |
| A7       | GND   | B7       | B7       | GND   | A7       |
| A8       | TX2+  | B8       | B8       | RX2+  | A8       |
| A9       | TX2-  | B9       | B9       | RX2-  | A9       |
| A10      | GND   | B10      | B10      | GND   | A10      |
| A11      | TX3+  | B11      | B11      | RX3+  | A11      |
| A12      | TX3-  | B12      | B12      | RX3-  | A12      |
| A13      | GND   | B13      | B13      | GND   | A13      |
| A14      | TX4+  | B14      | B14      | RX4+  | A14      |
| A15      | TX4-  | B15      | B15      | RX4-  | A15      |
| A16      | GND   | B16      | B16      | GND   | A16      |
| A17      | TX5+  | B17      | B17      | RX5+  | A17      |
| A18      | TX5-  | B18      | B18      | RX5-  | A18      |
| A19      | GND   | B19      | B19      | GND   | A19      |
| A20      | TX6+  | B20      | B20      | RX6+  | A20      |
| A21      | TX6-  | B21      | B21      | RX6-  | A21      |
| A22      | GND   | B22      | B22      | GND   | A22      |
| A23      | TX7+  | B23      | B23      | RX7+  | A23      |
| A24      | TX7-  | B24      | B24      | RX7-  | A24      |
| A25      | GND   | B25      | B25      | GND   | A25      |
| A26      | TX8+  | B26      | B26      | RX8+  | A26      |
| A27      | TX8-  | B27      | B27      | RX8-  | A27      |
| A28      | GND   | B28      | B28      | GND   | A28      |
| A29      | TX9+  | B29      | B29      | RX9+  | A29      |
| A30      | TX9-  | B30      | B30      | RX9-  | A30      |
| A31      | GND   | B31      | B31      | GND   | A31      |
| A32      | TX10+ | B32      | B32      | RX10+ | A32      |
| A33      | TX10- | B33      | B33      | RX10- | A33      |
| A34      | GND   | B34      | B34      | GND   | A34      |
| A35      | TX11+ | B35      | B35      | RX11+ | A35      |
| A36      | TX11- | B36      | B36      | RX11- | A36      |
| A37      | GND   | B37      | B37      | GND   | A37      |

BCS8-1AG21-1.00  
REV A  
DATE CODE: WWYY  
LABEL INFORMATION

- NOTES:
- PADDECARD PLATING:  
30μ" MIN. GOLD PLATING  
50μ" MIN. NICKEL UNDERPLATING.
  - UNLESS OTHERWISE NOTED, REFERENCES TO INDUSTRY SPECIFICATIONS ARE INTENDED TO INDICATE SUBSTANTIAL COMPLIANCE TO THE MATERIAL ELEMENTS OF THE SPECIFICATION. SUCH REFERENCE SHOULD NOT BE CONSTRUED AS A GUARANTEE OF COMPLIANCE TO ALL REQUIREMENTS IN A GIVEN SPECIFICATION.
  - CLOTH TAPE WRAPPED AROUND CABLE RIBBONS AT BACK OF EACH CONNECTOR. ALSO, UP TO TWO ADDITIONAL TAPE PIECES WILL BE WRAPPED AROUND THE TWO CABLE RIBBONS SPACED EQUIDISTANT FROM THE CONNECTOR ENDS AND EACH OTHER, DEPENDING ON ASS'Y LENGTH (L):  
L <= 0.2M: NO ADDITIONAL TAPE  
0.2M < L <= 0.6M: 1 TAPE WRAP  
0.6M < L <= 1.0M: 2 TAPE WRAP
  - TWO RIBBONS OF 3M RIBBON TWIN AXIAL CABLE.  
SL8802/24-CYEN5-00  
85 OHM, 31AWG, 12PR  
MEET HORIZONTAL-SPECIMEN APPLICANCE - WIRE FLAME TEST IN SECTION 1090 OF UL 1581 STANDARD.
  - THIS CABLE CONSTRUCTION HAS A THIN ALUMINUM LAYER AT EACH EDGE USER SHOULD EVALUATE ITS USE IN THEIR APPLICATION AND, IF NECESSARY, INSULATING TAPE MAY BE APPLIED TO COVER THE ALUMINUM LAYER, AS USER DEEMS APPROPRIATE.
  - LENGTH TOLERANCE:  
±5MM FOR LENGTH <= 0.5 METERS  
±10MM FOR LENGTH > 0.5 METERS.

| ITEM | 3M PART NUMBER  | LENGTH "X.XX" meter | REMARKS          |
|------|-----------------|---------------------|------------------|
| 1    | BCS8-1AG21-0.50 | 0.50                | MIN PCIe G4, 8X  |
| 2    | BCS8-1AG21-0.75 | 0.75                | MIN PCIe G4, 8X  |
| 3    | BCS8-1AG21-1.00 | 1.00                | MIN PCIe G4, 8X  |
| 4    | BCS8-1AG21-X.XX | OTHER LENGTHS       | CONTACT 3M SALES |

| ITEM # | ITEM      | DESCRIPTION   | QTY |
|--------|-----------|---|-----|
| 1      | CONNECTOR | LOW PROFILE I/O PLUG, STRAIGHT, OVERMOLDED                          | 2   |
| 2      | PCB       | PADDECARD, 1mm SUFFIX G2- 3M PN: 78-9102-7893-2                     | 2   |
| 3      | CABLE     | RIBBON TWINAX CABLE 3M PN:SL8802/24-CYEN5-00 3M DWG: 78-9102-4601-2 | AR  |
| 4      | TAPE      | BLACK ACETATE TAPE, HF  | AR  |
| 5      | LABEL     | CABLE ASSEMBLY DESIGNATOR LABEL                                     | 1   |

Regulatory: For regulatory information about this product, visit 3M.com/regs or contact your 3M representative.

Technical Information: The technical information, recommendations and other statements contained in this document are based upon tests or experience that 3M believes are reliable, but the accuracy or completeness of such information is not guaranteed.

Product Use: Many factors beyond 3M's control and uniquely within user's control can affect the use and performance of a 3M product in a particular application. Given the variety of factors that can affect the use and performance of a 3M product, user is solely responsible for evaluating the 3M product and determining whether it is fit for a particular purpose and suitable for user's method of application.

Warranty, Limited Remedy, and Disclaimer: Unless an additional warranty is specifically stated on the applicable 3M product packaging or product literature, 3M warrants that each 3M product meets the applicable 3M product specification at the time 3M ships the product.

3M MAKES NO OTHER WARRANTIES OR CONDITIONS, EXPRESS OR IMPLIED, INCLUDING, BUT NOT LIMITED TO, ANY IMPLIED WARRANTY OR CONDITION OF MERCHANTABILITY OR FITNESS FOR A PARTICULAR PURPOSE OR ANY IMPLIED WARRANTY OR CONDITION ARISING OUT OF A COURSE OF DEALING, CUSTOM OR USAGE OR TRADE.

If the 3M product does not conform to this warranty, then the sole and exclusive remedy is, at 3M's option, replacement of the 3M product or refund of the purchase price.

Limitation of Liability: Except where prohibited by law, 3M will not be liable for any loss or damage arising from the 3M product, whether direct, indirect, special, incidental or consequential, regardless of the legal theory asserted, including warranty, contract, negligence or strict liability.

3M Company  
Electronics Materials Solutions Division  
13011 McCallen Pass, Bldg. C  
Austin, TX 78753-5380  
1-800-225-5373  
www.3M.com/interconnect

|                        |               |           |     |  |              |              |
|------------------------|---------------|-----------|-----|--|--------------|--------------|
| DESIGN REFERENCE       | NEXT ASSEMBLY | REV       | ECO | ISSUE DATE AND DESCRIPTION   | DRFT         | CHKD         |
|                        |               |           |     | 0084206  |              |              |
|                        |               |           |     | JAN 14, 2021   |              | RL           |
|                        |               |           |     | New Release  |              | RL           |
|                        |               |           |     | DATE   | DATE         | DATE         |
|                        |               |           |     | JAN 14, 2021   | JAN 14, 2021 | JAN 14, 2021 |
|                        |               |           |     | DATE   | DATE         | DATE         |
|                        |               |           |     | JAN 14, 2021   | JAN 14, 2021 | JAN 14, 2021 |
|                        |               |           |     | © 3M COPYRIGHT 2020  |              |              |
|                        |               |           |     | This document and the information it contains are 3M property and may not be reproduced or further distributed without 3M permission, or used or disclosed other than for 3M authorized purposes. All rights reserved. |              |              |
| DO NOT SCALE DRAWING   |               | SCALE 2:1 |     | TOLERANCES EXCEPT AS NOTED   |              |              |
|                        |               |           |     | INCHES   |              |              |
|                        |               |           |     | .00 ±  |              |              |
|                        |               |           |     | .00 ±  |              |              |
|                        |               |           |     | .00 ±  |              |              |
|                        |               |           |     | .000 ±   |              |              |
| THIRD ANGLE PROJECTION |               |           |     | MILLIMETERS  |              |              |
|                        |               |           |     | 0 ±  |              |              |
|                        |               |           |     | .0 ±   |              |              |
|                        |               |           |     | .00 ±  |              |              |
|                        |               |           |     | .00 ±  |              |              |
|                        |               |           |     | .000 ±   |              |              |
| MAX SURFACE ROUGHNESS  |               |           |     | ANGLES ±1°   |              |              |
| 125                    |               |           |     |  |              |              |
| ALL SURFACES           |               |           |     |  |              |              |
| MARKED ONLY            |               |           |     |  |              |              |
|                        |               |           |     | CAGE NUMBER  |              |              |
|                        |               |           |     | D78-5100-2723-4  |              |              |
|                        |               |           |     | REV. A   |              |              |
|                        |               |           |     | MODEL  |              |              |
|                        |               |           |     | SHT 1 OF 1   |              |              |