



### Electrical specifications

- Center frequency:** 4500 MHz
- Passband frequencies:** 4000 MHz to 5000 MHz (BW=1000 MHz)
- Insertion loss of passband:** 1 dB max
- Low side rejection frequencies:** 60 dB @ 3800 MHz
- High side rejection frequencies:** 60 dB @ 5200 MHz
- Return loss:** VSWR(1.5:1) max
- Nominal impedance:** 50 Ohm
- Power handling:** 5 Watts

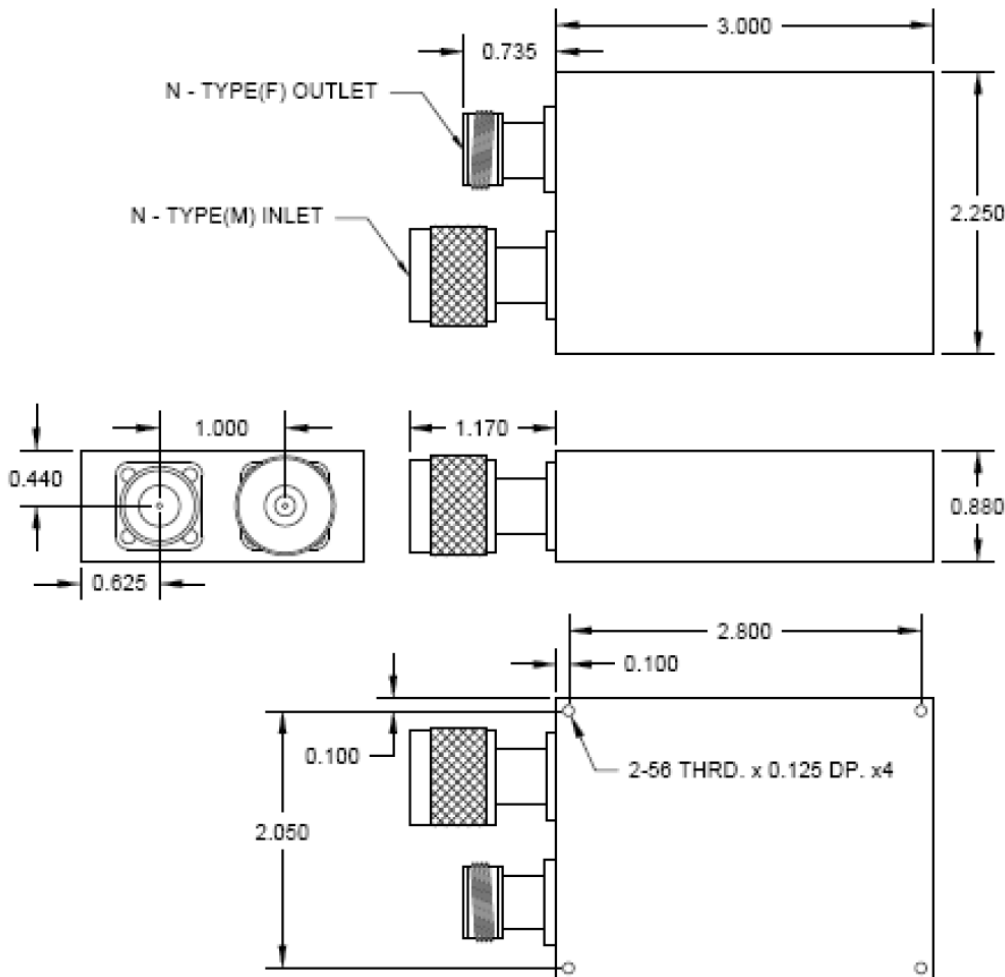
### Mechanical

- Mounting Method:** Threaded Mounting Holes
- Connector Type:** N female / N male
- Dimensions:** 3.00" X 2.25" X 0.88" in

### Environmental

- Operating Temperature:** -45 to +85° C
- Storage Temperature:** -55 to +95° C
- Shock:** 20 G. 11ms
- Vibration:** 20 G. 5 to 200 MHz

### Outline Drawing:





**ANATECH ELECTRONICS INC**  
RF & Microwave Filters & Products

# 4500 MHz Cavity Bandpass Filter

**Part Number: AE4500B10732**



**Plot:**

