



ANATECH ELECTRONICS INC
RF & Microwave Filters & Products

707 KHz LC Band Pass Filter

Part Number: AE707KB5440



Electrical Specifications

Center Frequency: 707 KHz
3dB Passband: 594-840 KHz
Insertion Loss: 4.0 dB Max.
Return Loss: 14 dB Min.
Rejection1: 40dB Min @ 500 KHz
Rejection2: 40dB Min @ 995 KHz
Power Handling : 10 W

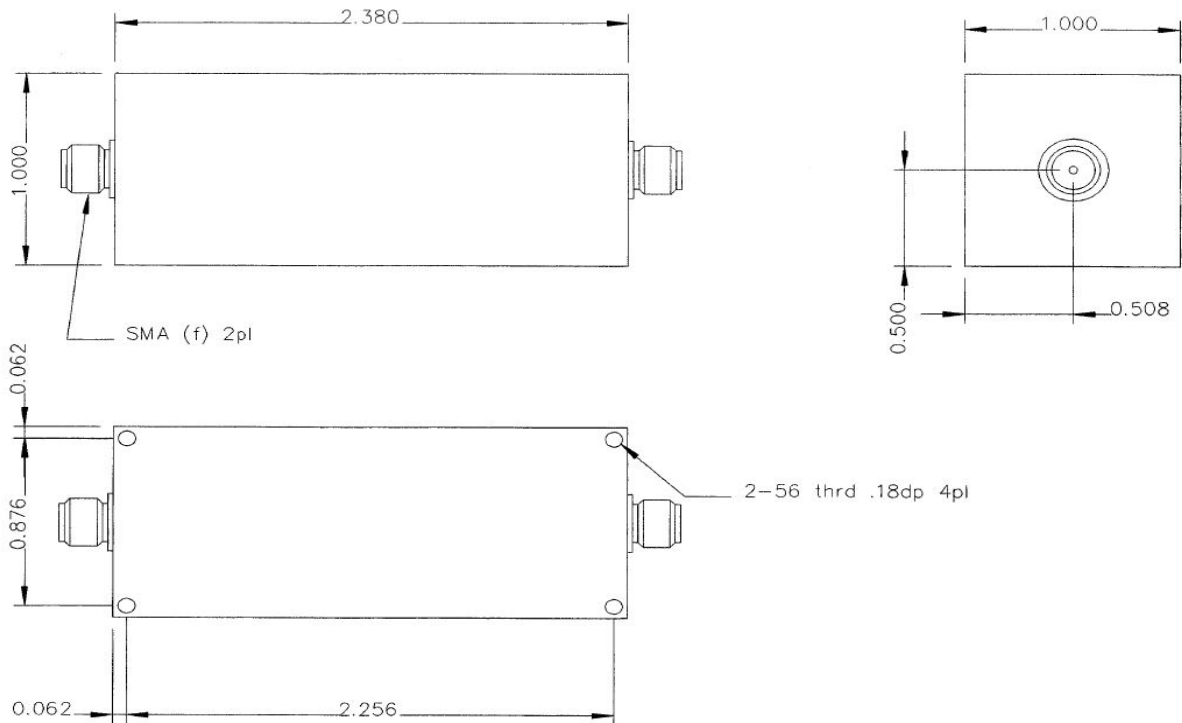
Mechanical

Mounting Method: Threaded Holes
Connector Type: SMA(F)
Dimensions: 2.38" X 1.0" x 1.0".

Environmental

Operating Temperature: -25°C to +70°C
Storage Temperature: -40°C to +90°C
Shock: 10 G. 11ms
Vibration: 10 G. 5 to 200Hz

Outline Drawing:



Tolerance: +/-0.01 inches [+/- 0.3mm]

Angles: +/- 1 Deg.

*Tolerance as shown unless otherwise specified in the datasheet electrical specification tables above.

*When max dimensions are called out the above tolerances do not apply as long as it is under the max call out.

70 Outwater Lane Phone: (973) 772-4242
Garfield, NJ 07026 Fax : (973) 321-3941

Email: sales@anatechelectronics.com
Web: www.anatechelectronics.com

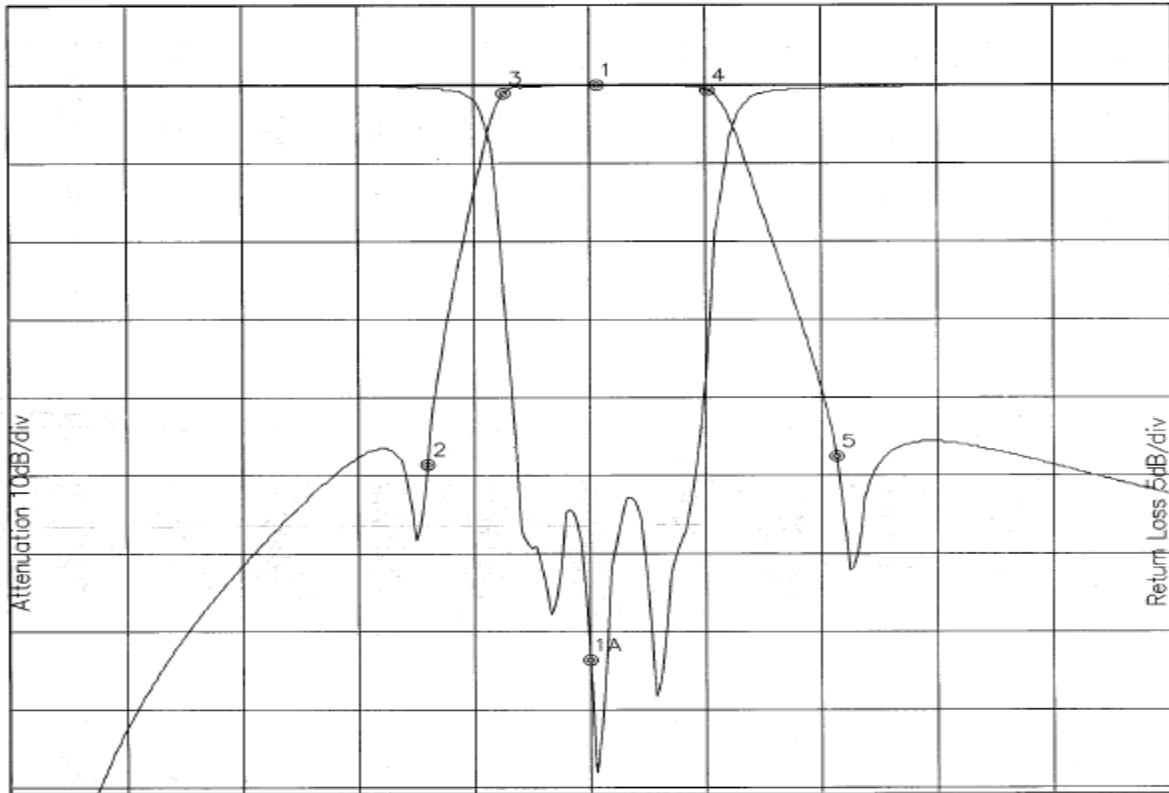


Simulation Plot:

B5440.lad

AUG 15, 2000

Attenuation/Return Loss



Attenuation Start: 0.0Hz Stop: 1.40MHz

Return Loss Start: 0.0Hz Stop: 1.40MHz

Offset: -0.6521dB

- Marker 1 Freq 707.91kHz Atten 0.060dB
- Marker 2 Freq 502.10kHz Atten -48.686dB
- Marker 3 Freq 594.83kHz Atten -1.114dB
- Marker 4 Freq 841.35kHz Atten -0.641dB
- Marker 5 Freq 997.41kHz Atten -47.572dB

Marker 1A Freq 698.86kHz Ret Loss -36.882dB

Note: This is a simulated response plot. Actual performance might differ.