

# CGA5L3X7R1H475K160AB

TDK Item Description : CGA5L3X7R1H475KT\*\*\*\*

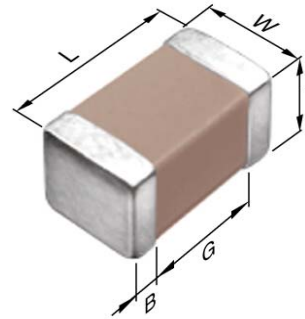


## Application & Main Feature

Automotive Grade ( General (Up to 50V) )

## Series

CGA5(3216) [EIA CC1206]



## Dimensions

|   |                      |
|---|----------------------|
| L | 3.20mm +0.3mm,-0.1mm |
| W | 1.60mm +0.3mm,-0.1mm |
| T | 1.60mm +0.3mm,-0.1mm |
| B | 0.20mm Min.          |
| G | 1.00mm Min.          |

## Temperature Characteristic

X7R (-55 to 125 degC +/-15%)

## Rated Voltage

1H (50Vdc)

## Capacitance

4.7uF

## Capacitance Tolerance

K (+/-10%)

## Dissipation Factor

5% Max.

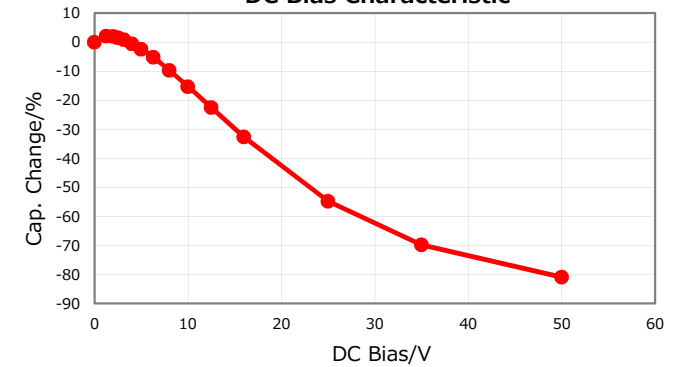
## Insulation Resistance

106Mohm Min.

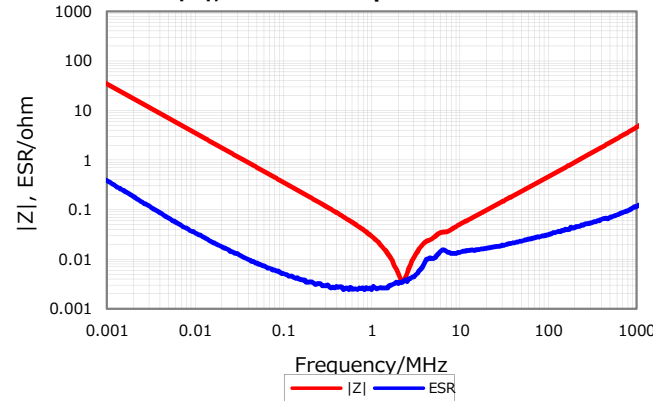
## AEC-Q200

Yes

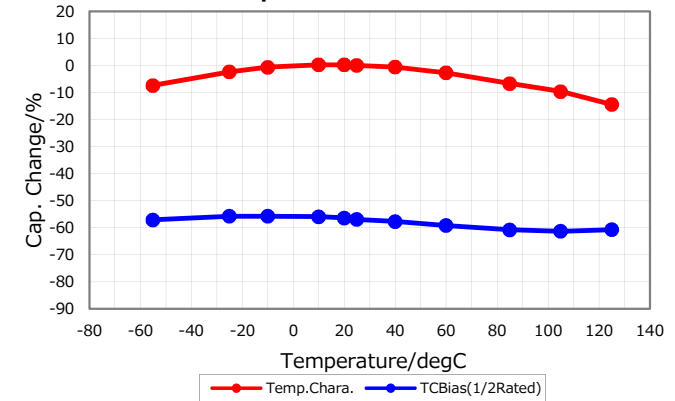
## DC Bias Characteristic



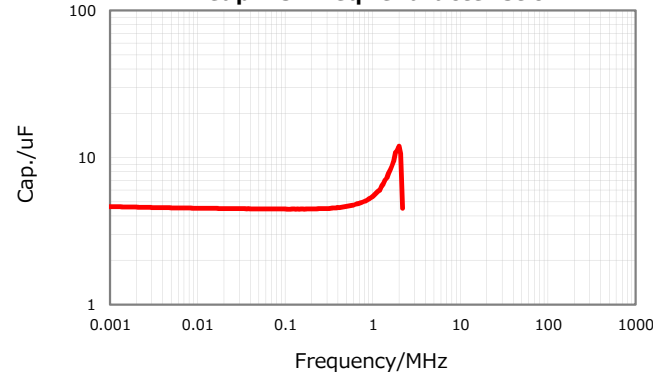
## |Z|, ESR vs. Freq. Characteristics



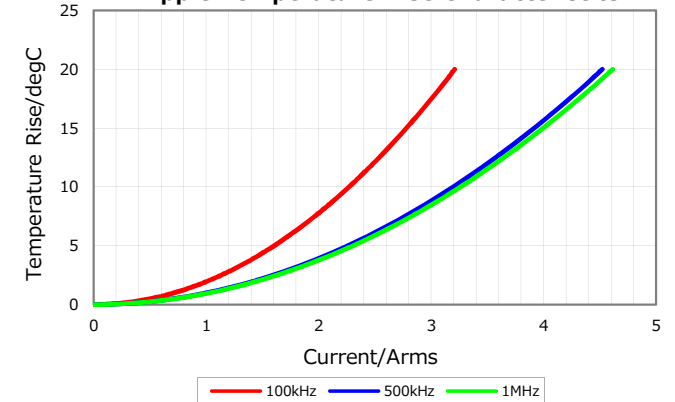
## Temperature Characteristics



## Cap. vs. Freq. Characteristic



## Ripple Temperature Rise Characteristics



Characterization Sheet ( Multilayer Ceramic Chip Capacitors )



All specifications are subject to change without notice.

September 8, 2017