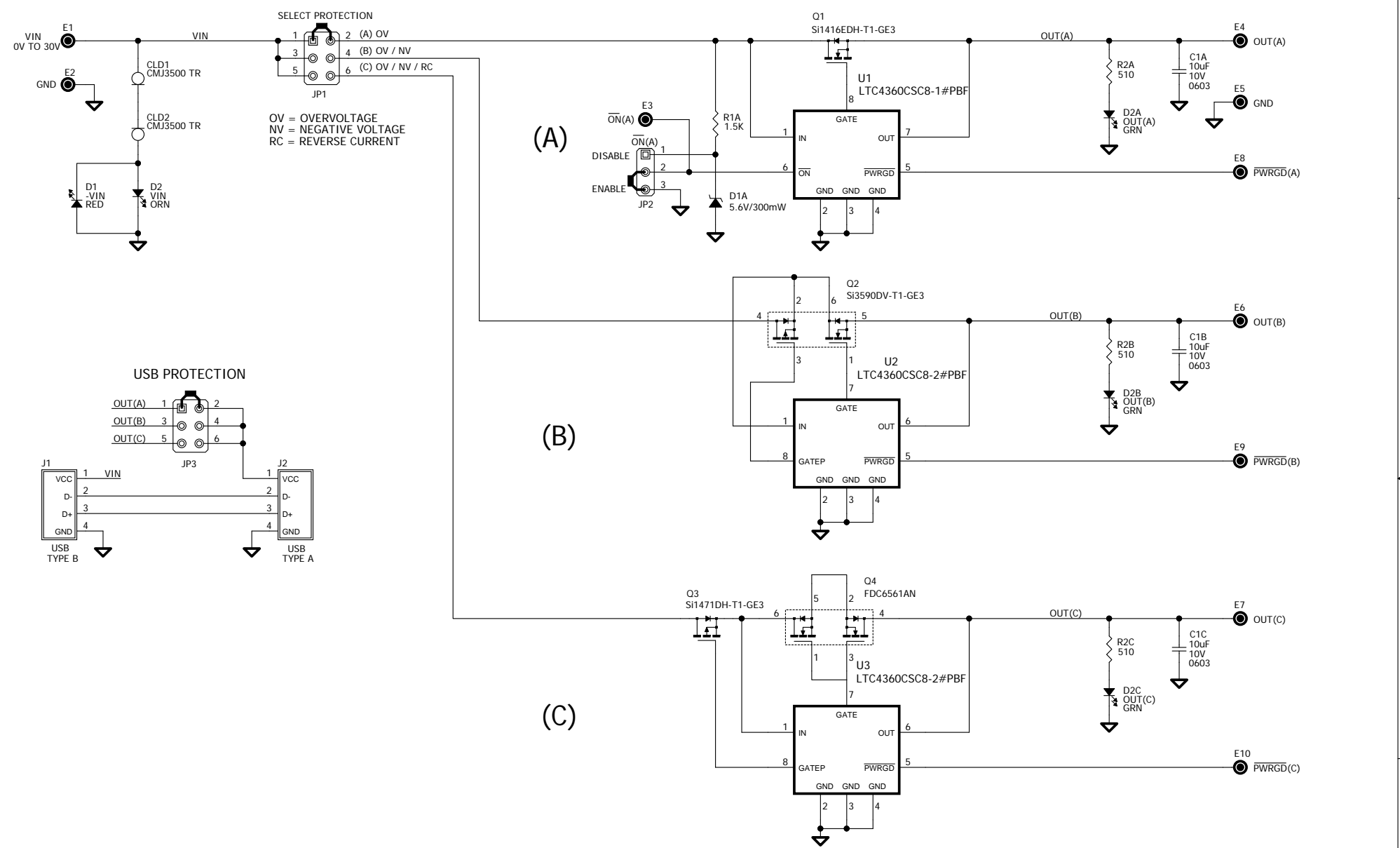


REVISION HISTORY				
ECO	REV	DESCRIPTION	APPROVED	DATE
-	3	PRODUCTION	DILIAN R.	04/30/10
	4	Replaced all LED's, CLD1&2 and Q1.	DILIAN R.	Feb 18, 2016



NOTE: UNLESS OTHERWISE SPECIFIED

- ALL RESISTORS ARE IN OHMS, 0603.
ALL CAPACITORS ARE IN MICROFARADS, 0603.
- INSTALL SHUNTS AS SHOWN.

CUSTOMER NOTICE		APPROVALS		LINEAR TECHNOLOGY	
LINEAR TECHNOLOGY HAS MADE A BEST EFFORT TO DESIGN A CIRCUIT THAT MEETS CUSTOMER-SUPPLIED SPECIFICATIONS; HOWEVER, IT REMAINS THE CUSTOMER'S RESPONSIBILITY TO VERIFY PROPER AND RELIABLE OPERATION IN THE ACTUAL APPLICATION. COMPONENT SUBSTITUTION AND PRINTED CIRCUIT BOARD LAYOUT MAY SIGNIFICANTLY AFFECT CIRCUIT PERFORMANCE OR RELIABILITY. CONTACT LINEAR TECHNOLOGY APPLICATIONS ENGINEERING FOR ASSISTANCE.		PCB DES.	RB	1630 McCarthy Blvd. Milpitas, CA 95035 www.linear.com Phone: (408)432-1900 Fax: (408)434-0507	
THIS CIRCUIT IS PROPRIETARY TO LINEAR TECHNOLOGY AND SUPPLIED FOR USE WITH LINEAR TECHNOLOGY PARTS.		APP ENG.	DILIAN R.	LTC CONFIDENTIAL - FOR CUSTOMER USE ONLY	
		TITLE: SCHEMATIC		OVERVOLTAGE PROTECTION CONTROLLER	
		SCALE = NONE		SIZE N/A	IC NO. LTC4360CSC8-1/LTC4360CSC8-2
				REV. 4	
				MODIFY DATE: Feb 18, 2016	
				1505A_REV4 SHEET 1 OF 4	