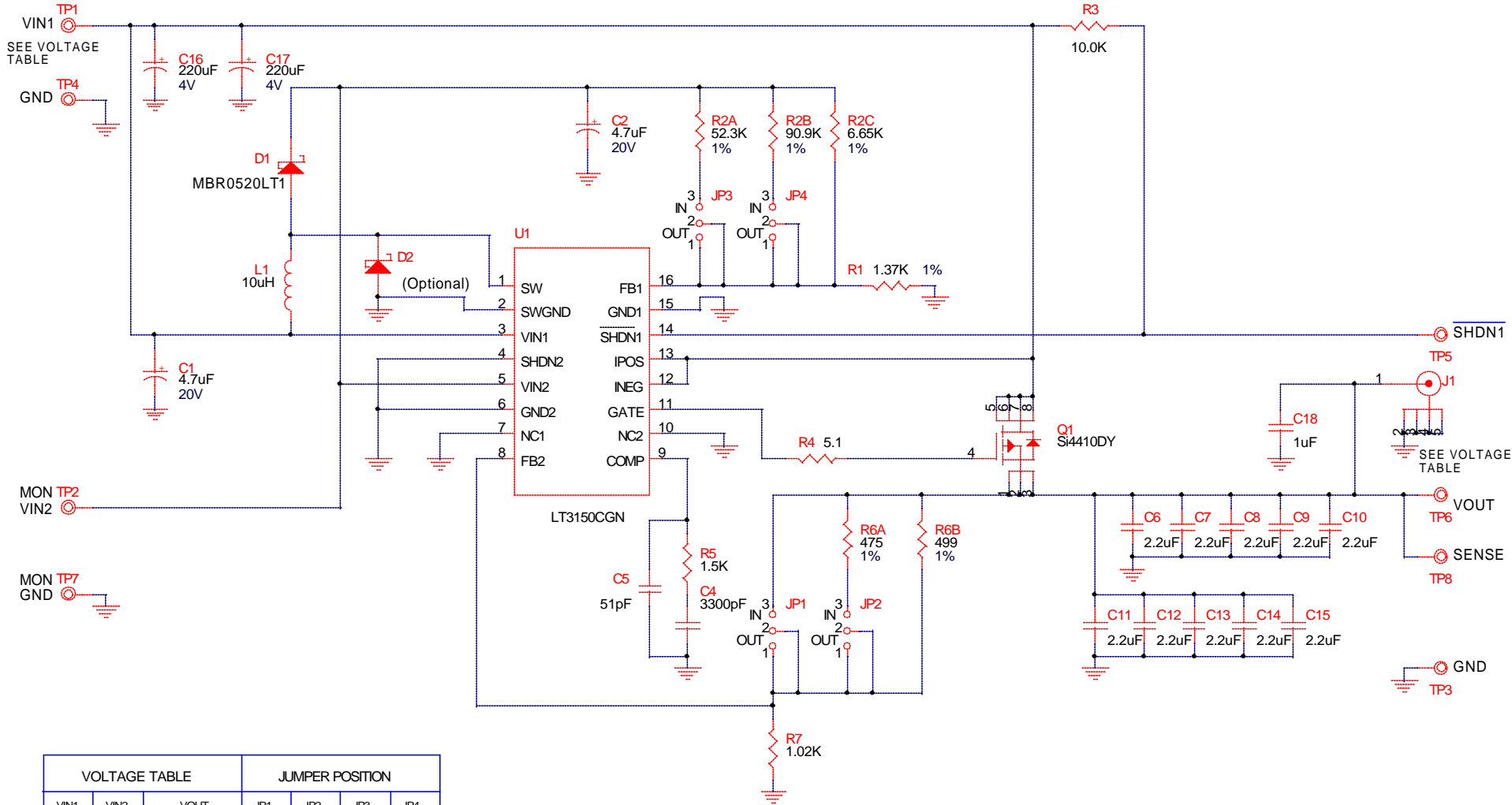




REVISION HISTORY				
ECO	REV	DESCRIPTION	DATE	APPROVED
>	3	PROTO C1,C2 to 3528	09/06/02	



VOLTAGE TABLE			JUMPER POSITION			
VIN1	VIN2	VOUT	JP1	JP2	JP3	JP4
1.5V	6.53V	1.2V @ 4A	IN	OUT	IN	OUT
1.8V	6.79V	1.5V @ 4A	OUT	IN	OUT	IN
2.5V	7.2V	1.8V @ 1.7A	OUT	OUT	OUT	OUT

UNLESS OTHERWISE SPECIFIED DIMENSIONS ARE IN INCHES TOLERANCE ON ANGLE --- 2 PLACES --- 3 PLACES --- INTERPRET DIM AND TOL PER ASME Y14.5M -1994	CONTRACT NO.		 1630 McCarthy Blvd Milpitas, CA 95035 Phone: (408)432-1900 Fax: (408)434-0507
	APPROVALS	DATE	
	DRAWN MEI	05-13-02	
	CHECKED		
THIRD ANGLE PROJECTION	TITLE SCH, LT3150CGN LOW VOLTAGE LDO LINEAR REGULATOR		
	APPROVED		
	ENGINEER		
	DESIGNER		
DO NOT SCALE DRAWING	Wednesday, October 23, 2002 SCALE: NONE	FILENAME: 534A-3.DSN	DWG NO DC534A
		SHEET 1	OF 1