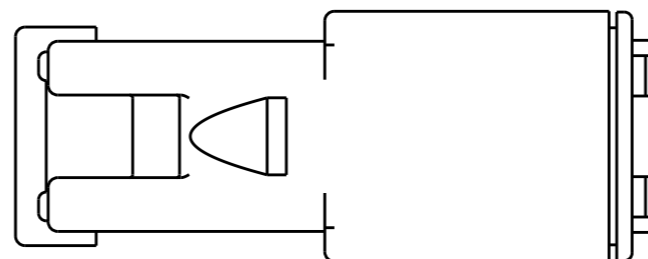
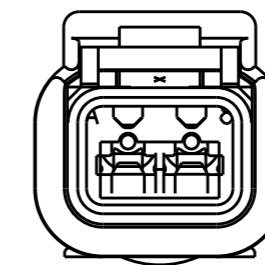
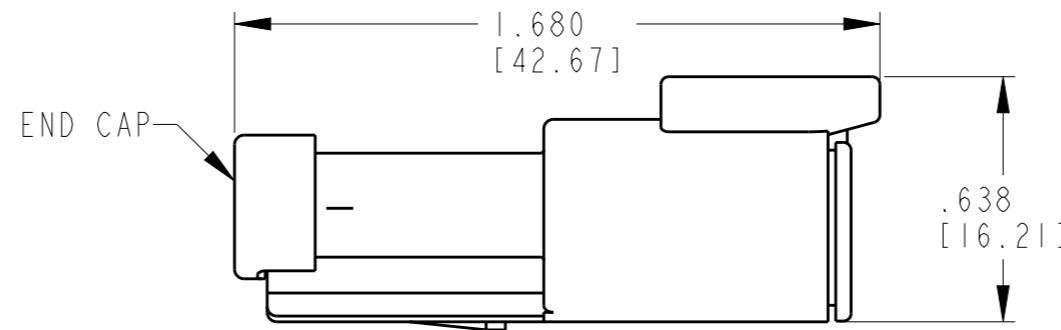
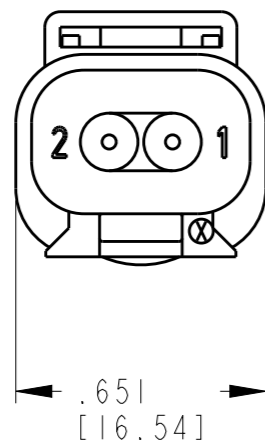
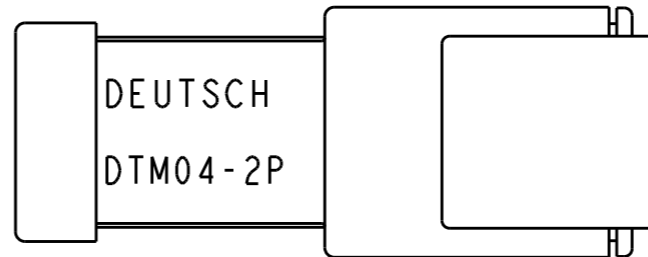
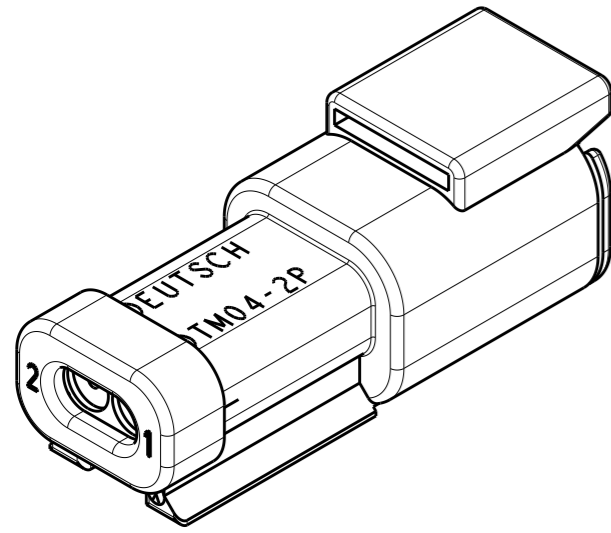


THIS DRAWING IS UNPUBLISHED
RELEASED FOR PUBLICATION 2018
© COPYRIGHT 2018 BY TE CONNECTIVITY ALL RIGHTS RESERVED.

LOC		DIST		REVISIONS			
P	LTR	DESCRIPTION	DATE	DWN	APVD		
-	-	A1	REVISD PER PCN E-18-000990	16JAN2018	SS	DM	
-	-	A2	REVISD PER PCN E-19-004978	27MAR2019	AJ	DM	



TE INTERNAL PN	DEUTSCH PN
DTM04-2P-E003	DTM04-2P-E003

- 4. MATERIAL - HOUSING/END CAP: PA66 GF15 (GRAY)
GROMMET: VMQ (RED-ORANGE).
- 3. THIS RECEPTACLE MATES WITH DTM06-2S-XXXX PLUG.
(XXXX = ALL MODIFICATIONS)
- 2. FOR CONTACT AND WIRE PERFORMANCE AND APPLICATION CHARACTERISTICS SEE ENVELOPE DRAWING 0425-015-0000
- 1. SECONDARY WEDGE LOCK SOLD SEPARATELY: WM-2P, WM-2PX.
(X= A,B,C,D KEYS)

NOTES:

CONTACT SIZE	MIN. INSUL. O.D.	MAX. INSUL. O.D.	WIRE RANGE [mm ²] REF ONLY
20	.053 [1.35]	.120 [3.05]	16-20 AWG [1.0-0.5]

THIS DRAWING IS A CONTROLLED DOCUMENT.		DWN S. ZERMENO 22MAY2011		
DIMENSIONS: INCHES [mm]		CHK B. BYFORD 27JUN2011		
TOLERANCES UNLESS OTHERWISE SPECIFIED:		APVD S. BEARD 20JUN2011	NAME RECEPTACLE W/END CAP	
0 PLC ±		PRODUCT SPEC 108-151010	2 CONTACTS, SIZE 20 E003 MOD	
1 PLC ±		APPLICATION SPEC -	DTM SERIES	
2 PLC ±		WEIGHT 5.6 GR	SIZE A3	RESTRICTED TO -
3 PLC ±.025 [0.64]		CUSTOMER DRAWING	CAGE CODE 4AFU8	DRAWING NO. DTM04-2P-E003
4 PLC ±		SCALE 4:1	SHEET 1	OF 1
ANGLES ±		REV A2		
FINISH -				