

H G F E D C B A

4

3

2

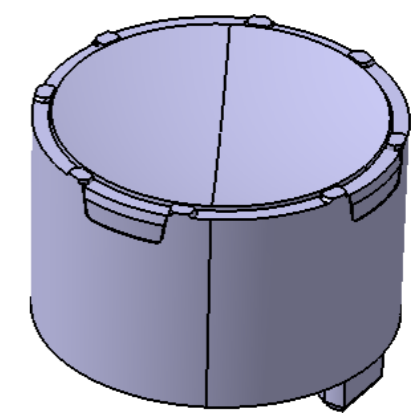
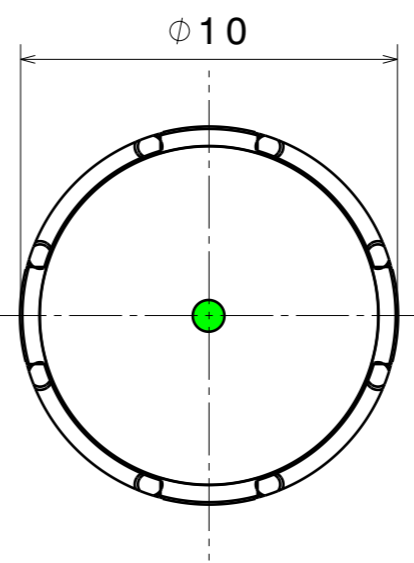
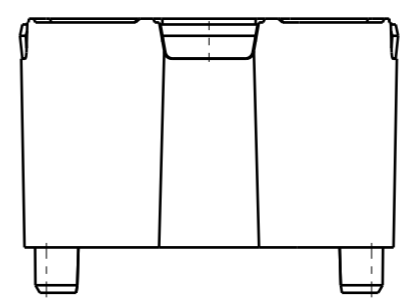
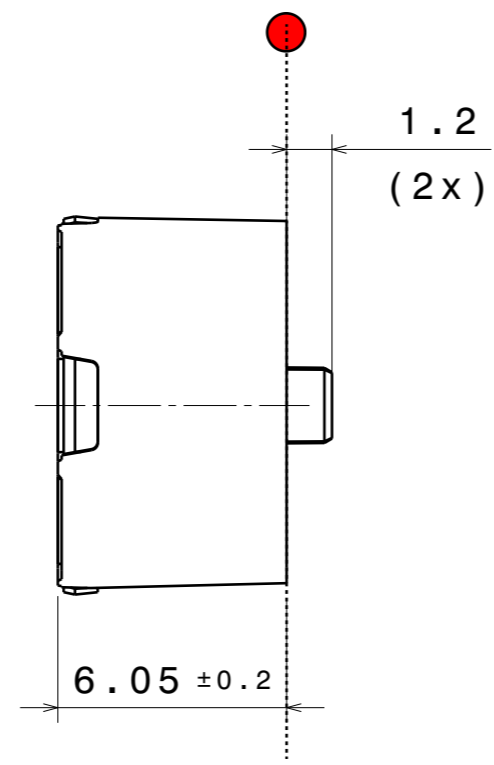
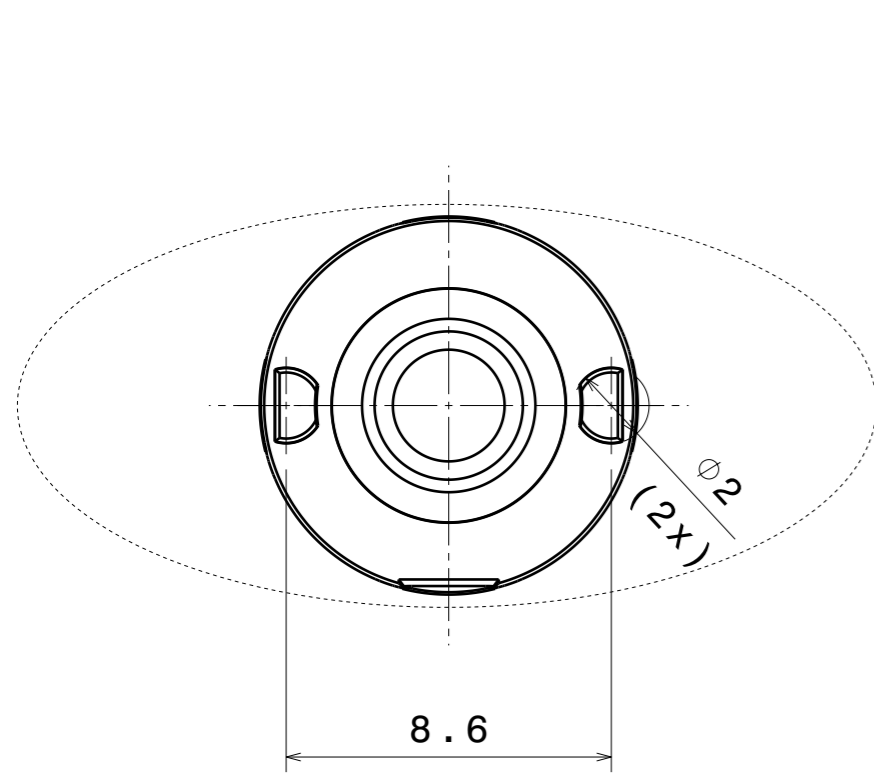
1

4

3

2

1



FP16612\_LISA3CSP-0-PIN Datasheet

**COMPONENTS**

INDEX	PART	REV	TYPE	MATERIAL	COLOR / COATING
1	F16564_LISA3-HLD2-PIN Mechanical model	001		PC	Black
2	F16556_LISA3-0_Mechanical model	001		PMMA	Clear

<b>MECHANICAL DRAWING</b>		<b>LEDiL</b> <sup>®</sup>
PRODUCT <b>LISA3</b>		
Plastic moulding general tolerances according to DIN 16901-130 and applies if not otherwise shown in the drawing. Silicone moulding general tolerances according to ISO 3302-1 Class M3 and applies if not otherwise shown in the drawing.	FIRST ANGLE PROJECTION: 	This drawing is the property of LEDiL Oy. It may not be copied or otherwise distributed without prior written permission from LEDiL Oy.
SCALE 1:1	WEIGHT 0,448 g	A3 SHEET 1/1

**Notes**

	PCB or heatsink level.
	LED location
	Ensure LED fitting from a product specific 3D model available from <a href="http://www.ledil.com">www.ledil.com</a>
	For more details about installation please see LEDiL Installation Guide on <a href="http://www.ledil.com">www.ledil.com</a>

H G F E D C B A