

1

2

3

4

A

B

C

D

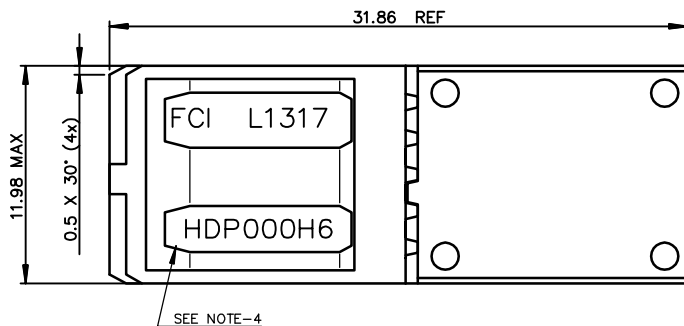
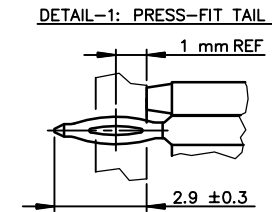
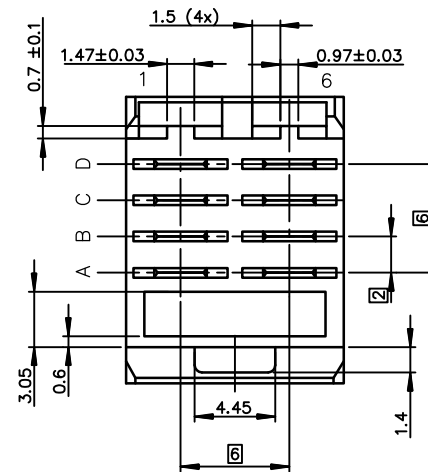
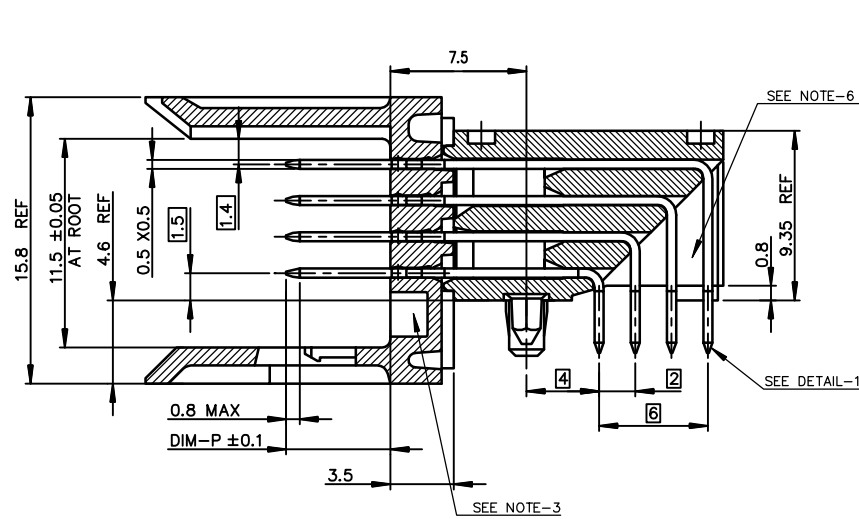
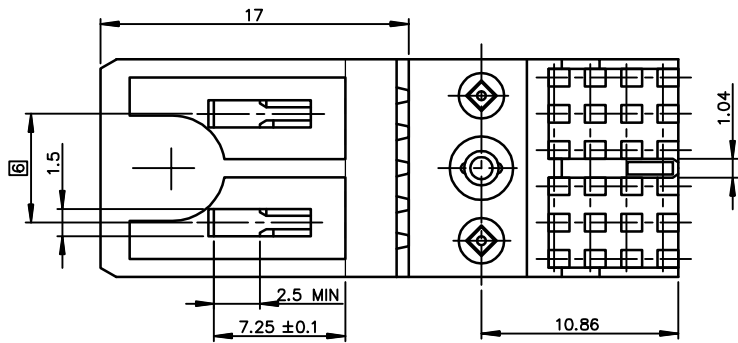
A

B

C

D

NOTE-1: NORMINATIVE REF = IEC-61076-4-104
 NOTE-2: ONE CENTER PEG FOR HOLD DOWN FORCE
 NOTE-3: CODING RECESS FOR 8MM EXTENDED KEYS
 NOTE-4: PRODUCT MARKING = PRODUCT NUMBER + BATCH CODE + FCI
 FOR 1 MODULE SIZE, END OF PART NUMBER ONLY
 NOTE-5: CENTRAL WALL WITH END REAR SUPPORT
 NOTE-6: PACKAGING IN TRAY + COVER
 IF SUFFIX "P" IS ADDED IN P/N PACKAGING IS IN TRAYS
 BUT CONNECTOR MARKING IS WITHOUT "P"
 EXAMPLE: HM1XXXXXXXXX6P, MARKED HM1XXXXXXXXX6



GENERAL CHARACTERISTICS AND ROHS INFORMATIONS:

SEE PRODUCT SPECIFICATION GS-12-445

European Views

rev	ecn no	dr	date
E	-	PCH	2003/07/16
F	LS05-0056	LMA	2004/12/30
G	LS06-0097	LGO	2006/07/12
H	LS07-0184	MLE	2007/07/23
J	DG10-0032	Cenh	2010/01/20
-	-	-	-
-	-	-	-

www.fciconnect.com		surface ISO 1302 ✓	tolerance std ISO 406 ISO 1101	projection mm
TOLERANCES UNLESS OTHERWISE SPECIFIED				↔
Dr	PERRICHOT	2001/11/20	ANGULAR	0.X ± 0.3
Eng	PERRICHOT	2001/11/20	LINEAR	0.XX ± 0.13
Chr	LEGARE	2001/11/20	0.XX ± 2	0.XXX ± 0.051
Appr	LEGARE	2001/11/20	Product family	METRAL
size				A3
Scale				3.5/1
ECN				-
Spec ref				-
title		METRAL RA HEADER WB		Rev.
catalog no		CONVERGED POWER -4X2 CTS -PF- PUSH PEG		J
dwg no		C-8626-0130		sheet 1 of 2
CUSTOMER		-		

1

2

3

4



1 2 3 4

TIN LEAD PART NUMBER

PART NUMBER / CONTACT LOADING					P/N AND PERFORMANCE LEVEL	SP N°
DIM-P ±0.10						
ROW-A	ROW-B	ROW-C	ROW-D			
6.50	6.50	6.50	6.50		HM1K41DDP000H6P	
7.25	7.25	7.25	7.25		HM1K41MDP000H6P	
8.00	8.00	8.00	8.00		HM1K41NDP000H6P	
8.00	8.00	7.25	6.50		HM1K41HDP000H6P	
6.50	8.00	6.50	6.50		HM1K41KDP000H6P	
6.50	6.50	6.50	8.00		HM1K41ZDPC59H6P	C59
6.50	NO CTS	NO CTS	6.50		HM1K41DDP438H6P	438
8.00	8.00	6.50	6.50		HM1K41ZDPC53H6P	C53

STANDARD MATING LENGTHS = 6.50 (AND 7.25-8.00) - 5.00 AND 5.75 NOT AVAILABLE

LEAD FREE PART NUMBER

PART NUMBER / CONTACT LOADING					P/N AND PERFORMANCE LEVEL	SP N°
DIM-P ±0.10						
ROW-A	ROW-B	ROW-C	ROW-D			
6.50	6.50	6.50	6.50		HM1K41DDP000H6PLF	
7.25	7.25	7.25	7.25		HM1K41MDP000H6PLF	
8.00	8.00	8.00	8.00		HM1K41NDP000H6PLF	
8.00	8.00	7.25	6.50		HM1K41HDP000H6PLF	
6.50	8.00	6.50	6.50		HM1K41KDP000H6PLF	
6.50	6.50	6.50	8.00		HM1K41ZDPC59H6PLF	C59
6.50	NO CTS	NO CTS	6.50		HM1K41DDP438H6PLF	438
8.00	8.00	6.50	6.50		HM1K41ZDPC53H6PLF	C53

DETAIL OF POWER CONTACT - SC:7/1

RECOMMENDED PCB LAYOUT

DETAIL OF CENTRAL PEG SCALE 8/1

DETAIL OF LOCATING PEGS (2x) SCALE 8/1

Hole according to product spec GS-12-445 (for press-fit), GS-12-446 (for SMT)

Copyright FCI.

European Views

www.fciconnect.com		surface	ISO 1302	tolerance std	ISO 406 ISO 1101	projection	mm
		TOLERANCES UNLESS OTHERWISE SPECIFIED					
Dr	PERRICHOT	2001/11/20	ANGULAR	0.X	±0.3	size	A3
Eng	PERRICHOT	2001/11/20	LINEAR	0.XX	±0.13	Scale	3.5
Chr	LEGARE	2001/11/20	0.XX ±2	0.XXX	±0.051	ECN	
Appr	LEGARE	2001/11/20	Product family	METRAL	Spec ref	-	
		title		METRAL RA HEADER WB		Rev.	
		dwg no		C-8626-0130		J	
		catalog no		CUSTOMER		sheet 2 of 2	

REV F - 2006-04-17

PDM: Rev:J

STATUS: Released

Printed: May 19, 2011