



NTCG

**NTC Chip Thermistor
Temperature Sensing Device**

PRODUCT: NTCG163JX103DT1S

**This product is compliant with the
AEC-Q200 standard.**

Dimensions and construction

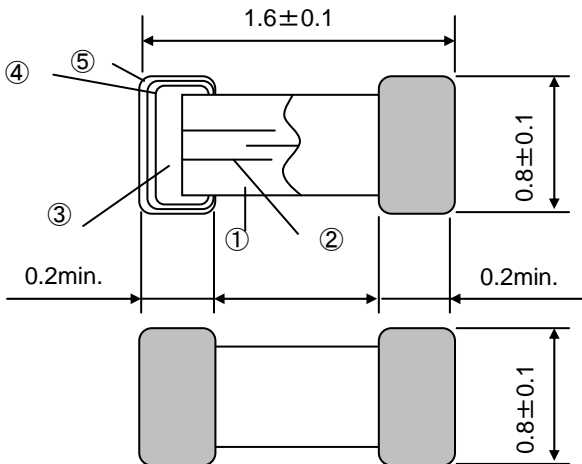


TABLE1. Parts List

	Part Name	Material
①	Element	Manganese, Nickel-oxide base Ceramics materials
②	Inner electrodes	Palladium
③	Terminal electrodes	Silver base
④		Nickel-plating
⑤		Tin-plating

Operating temperature range

-40 ~ +150°C

TABLE 2. Electric Performance:

Item	Symbol	Specification
Nominal resistance and tolerance	R25	10kΩ ± 0.5%
B value and tolerance	B25/85	3435K ± 0.7%
Maximum rated power (condition: chip)	P25	125 mW / 25°C in still air

TABLE 3. Resistance - Temperature Characteristics (condition: chip in silicone oil)

Temp (°C)	Min (kΩ)	Nom (kΩ)	Max (kΩ)	Temp (°C)	Min (kΩ)	Nom (kΩ)	Max (kΩ)	Temp (°C)	Min (kΩ)	Nom (kΩ)	Max (kΩ)
-40.0	183.7	188.5	193.4	25.0	9.950	10.00	10.05	90.0	1.243	1.267	1.292
-35.0	140.9	144.3	147.7	30.0	8.260	8.312	8.364	95.0	1.087	1.110	1.133
-30.0	108.9	111.3	113.8	35.0	6.890	6.942	6.995	100.0	0.955	0.975	0.996
-25.0	84.83	86.56	88.31	40.0	5.775	5.826	5.877	105.0	0.841	0.860	0.879
-20.0	66.55	67.79	69.05	45.0	4.862	4.911	4.960	110.0	0.743	0.760	0.778
-15.0	52.58	53.46	54.37	50.0	4.112	4.158	4.205	115.0	0.658	0.674	0.690
-10.0	41.81	42.45	43.10	55.0	3.493	3.536	3.580	120.0	0.585	0.599	0.614
-5.0	33.47	33.93	34.39	60.0	2.979	3.019	3.060	125.0	0.521	0.534	0.548
0.0	26.96	27.28	27.61	65.0	2.551	2.588	2.626	130.0	0.465	0.478	0.490
5.0	21.84	22.07	22.31	70.0	2.193	2.227	2.262	135.0	0.417	0.428	0.440
10.0	17.80	17.96	18.13	75.0	1.893	1.924	1.956	140.0	0.374	0.385	0.395
15.0	14.58	14.70	14.81	80.0	1.639	1.668	1.698	145.0	0.337	0.346	0.356
20.0	12.02	12.09	12.17	85.0	1.425	1.451	1.478	150.0	0.304	0.313	0.322