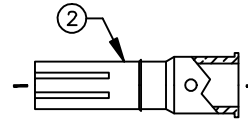
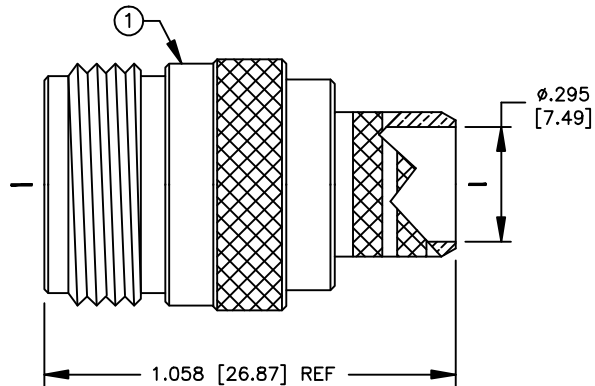


SPECIFICATION CONTROL DRAWING

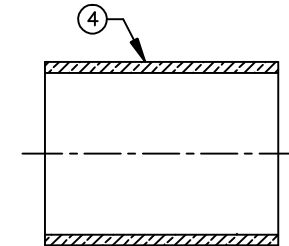
THIS DRAWING CONTAINS INFORMATION PROPRIETARY TO RF INDUSTRIES, LTD. ANY UNAUTHORIZED USE OF THIS DRAWING IS EXPRESSLY PROHIBITED. ANY VIOLATION IS PUNISHABLE UNDER U.S. COPYRIGHT LAWS.

REV	DESCRIPTION	DWN	DATE	APPROVED
-	RELEASE	CZS	3/11/10	R. RICE

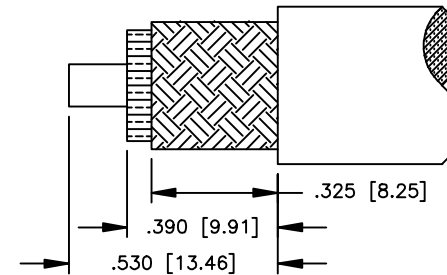
ALL DIMENSIONS ARE REFERENCE ONLY



RECOMMENDED CRIMP DIE: .128"



RECOMMENDED CRIMP DIE: .429"



RECOMMENDED STRIPPING INSTRUCTIONS

SPECIFICATIONS:

IMPEDANCE: 50 OHMS
 WORKING VOLTAGE: 1000 VRMS @ SEA LEVEL
 FREQUENCY RANGE: 0-11 GHz
 INSERTION LOSS: ≤ -.2 dB @ 10 GHz
 VSWR MAX: 1.3:1 @ 9 GHz
 FOR LMR-400-LLPX

DIMENSIONS ARE IN INCHES AND [MILLIMETERS]

UNLESS OTHERWISE NOTED TOLERANCES ARE:
 DECIMALS DIAMETER

RFconnectors

DIVISION OF RF INDUSTRIES, LTD.

7610 MIRAMAR RD
 SAN DIEGO, CA 92126
 (858) 549-6340
 (858) 549-6345 FAX

RFN-1028-S12

N FEMALE CRIMP

ITEM	DESCRIPTION	QTY	MATERIAL	FINISH
5	PRESS FIT SLEEVE	1	BRASS	SILVER
4	FERRULE (FER-205)	1	BRASS	SILVER
3	DIELECTRIC	1	PTFE	NONE
2	CONTACT	1	BRASS	GOLD
1	BODY	1	BRASS	SILVER

DRAWN DM	3/11/10
CHECKED	
ORJ DRAWN K. MAXWELL	7/28/93
APPROVALS	DATE

SIZE	CABLE GROUP	DWG NO.	REV
A	12	RFN-1028-S12	-
SCALE: 2:1		CAD FILE 13ARC B	SHEET 1 OF 1