

High Frequency, Very Low Noise and Low g-Sensitivity VCXO VLCU-Type series

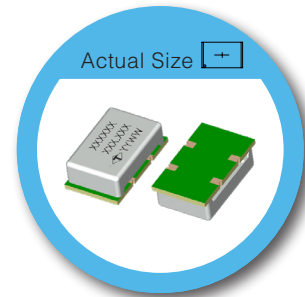
14 x 9mm SMD package

FEATURE

- VLCU-Type series is a high frequency high performance VCXO offering high frequency and very low phase noise/Low g-Sensitivity. The part comes in a small SMD package which makes it suitable for reflow soldering during pick and place assembly.
- Low Phase Noise
- Low g-Sensitivity
- Small SMD Package
- Low Power Consumption

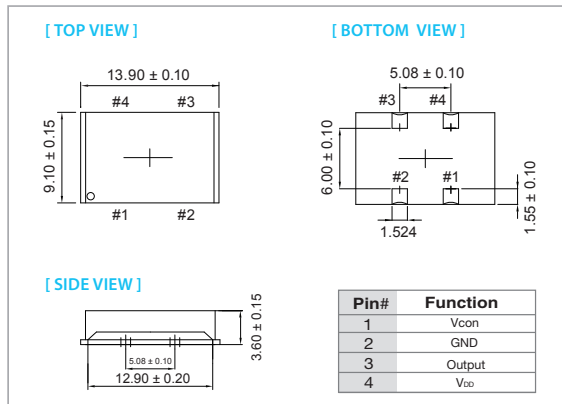
TYPICAL APPLICATION

- Instrument
- Microwave Communication
- Test & Measurement
- Telecom Systems
- Satellite Communication

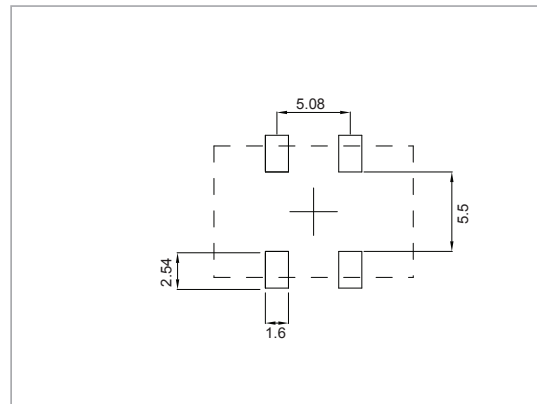


RoHS Compliant

DIMENSION (mm)



SOLDER PAD LAYOUT (mm)



ELECTRICAL SPECIFICATION OUTPUT (PIN = "R.F. OUTPUT")

Parameter	Min.	Typ.	Max.	Unit	Test Condition
Frequency (Fo)	50		125	MHz	Standard Frequency: 100MHz, 122.88MHz, 125MHz
Frequency Stability (Overall)	-25		+25	ppm	Frequency stability includes frequency tolerance@25°C and frequency stability vs. operating temperature range and voltage variance and 10 years aging.
Operating Temperature Range	-20°C ~ +70°C -40°C ~ +85°C			°C	
Storage Temperature Range	-45°C ~ +90°C			°C	
Waveform	Sine wave				
Level	+10			dBm	
Load		50		Ω	
Harmonics			-30	dBc	
g-Sensitivity		1.5		ppb/g	
Phase Noise (Max.)	100MHz	122.88MHz	125MHz		Refer to Ordering Information
	-84	-80	-80	dBc/Hz	@ 10Hz
	-117	-112	-112	dBc/Hz	@ 100Hz
	-144	-142	-142	dBc/Hz	@ 1KHz
	-165	-163	-163	dBc/Hz	@ 10KHz
	-172	-172	-172	dBc/Hz	@ 100KHz
	-175	-175	-175	dBc/Hz	@ 1MHz

Note: not all combination of options are available. Other specifications may be available upon request.

Specifications subject to change without notice.

ELECTRICAL FREQUENCY ADJUSTMENT (PIN = “VCO INPUT”)

Parameter	Min.	Typ.	Max.	Unit	Test Condition
Pulling Range	±30			ppm	
Control Voltage	0		+5.0	V	
Slope	Positive				
Center Voltage		+2.5		V	
Linearity	-10		+10	%	
Modulation Bandwidth	1			KHz	
VC Input Impedance	100			Mohm	

INPUT POWER (PIN = “+VDC”)

Parameter	Min.	Typ.	Max.	Unit	Test Condition
Voltage	+4.75	+5	+5.25	V	
Current			30	mA	At maximum supply voltage

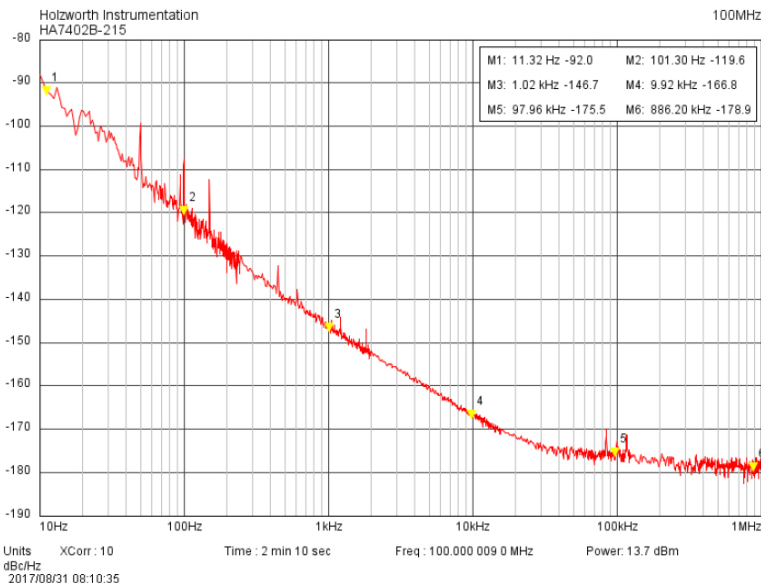
ENVIRONMENTAL

Parameter	Reference Std.	Test Condition
Vibration Test	DIN EN 60068-2-6	10~55Hz, 0.75mm Peak; 55~2000Hz, 10g Peak. 10 Cycles; 3 axis; 1Oct./min.
Thermal Shock	DIN EN 60068-2-14	30 min. @each temperature 10 cycles, Transfer<1min.; -40°C +/--3°C; 85°C +/--3°C
Mechanical Shock	DIN EN 60068-2-27	6 shocks per axis, 100g; 6ms both directions

ORDERING INFORMATION

-20°C ~ +70°C	VLCUWCWTFN-Frequency
-40°C ~ +85°C	VLCUWLWTFN-Frequency

PHASE NOISE TEST DATA



Note: not all combination of options are available. Other specifications may be available upon request.