

注記 NOTES

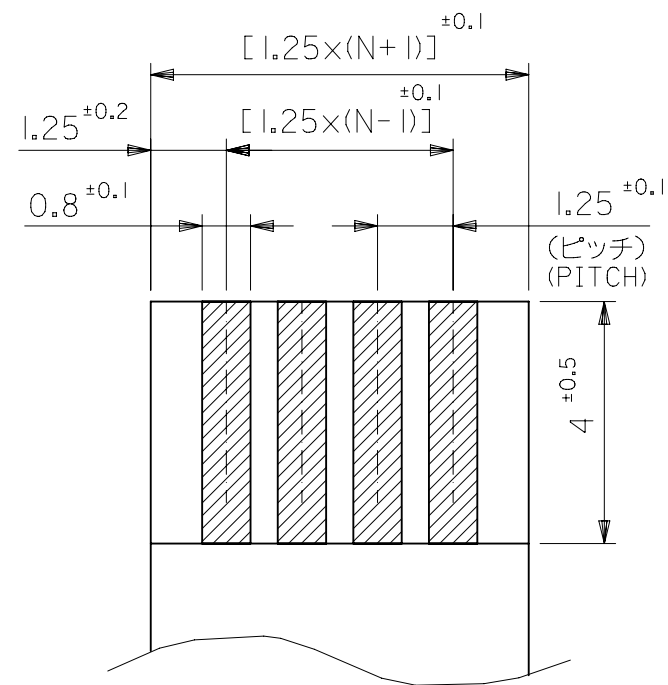
- △1 MX J側を基準に奇数番目の極におけるソルダーテール。SOLDER TAIL OF ODD CKTS, MXJ MARK AS BASIC.
- △2 MX J側を基準に偶数番目の極におけるソルダーテール。SOLDER TAIL OF EVEN CKTS, MXJ MARK AS BASIC.
- △3 3極~10極に適用。APPLY FOR 3-10 CKTS.
- △4 3極~19極に適用。APPLY FOR 3-19 CKTS.
- 5. () 内寸法は、参考値。() DIMENSION IS FOR REFERENCE.
- 6. ソルダーテールは、先端が取付推奨穴にガイドされること。SOLDER TAILS MAY BE CHECKED BY INSERTION FOR RECOMMENDED PCB BOARD HOLES.
- 7. 本製品は5597-NAPBの鉛フリー品である。THIS PRODUCT IS LEAD FREE OF 5597-NAPB.

| | | | | |
|-------|-------|------------|--------------|----------|
| 48.25 | 43.95 | 39-53-2344 | 5597-34APB7F | 34 |
| 45.75 | 41.45 | 39-53-2324 | 5597-32APB7F | 32 |
| 44.5 | 40.2 | 39-53-2314 | 5597-31APB7F | 31 |
| 43.25 | 38.95 | 39-53-2304 | 5597-30APB7F | 30 |
| 42 | 37.7 | 39-53-2294 | 5597-29APB7F | 29 |
| 40.75 | 36.45 | 39-53-2284 | 5597-28APB7F | 28 |
| 39.5 | 35.2 | 39-53-2274 | 5597-27APB7F | 27 |
| 38.25 | 33.95 | 39-53-2264 | 5597-26APB7F | 26 |
| 37 | 32.7 | 39-53-2254 | 5597-25APB7F | 25 |
| 35.75 | 31.45 | 39-53-2244 | 5597-24APB7F | 24 |
| 34.5 | 30.2 | 39-53-2234 | 5597-23APB7F | 23 |
| 33.25 | 28.95 | 39-53-2224 | 5597-22APB7F | 22 |
| 32 | 27.7 | 39-53-2214 | 5597-21APB7F | 21 |
| 30.75 | 26.45 | 39-53-2204 | 5597-20APB7F | 20 |
| 29.5 | 25.2 | 39-53-2194 | 5597-19APB7F | 19 |
| 28.25 | 23.95 | 39-53-2184 | 5597-18APB7F | 18 |
| 27 | 22.7 | 39-53-2174 | 5597-17APB7F | 17 |
| 25.75 | 21.45 | 39-53-2164 | 5597-16APB7F | 16 |
| 24.5 | 20.2 | 39-53-2154 | 5597-15APB7F | 15 |
| 23.25 | 18.95 | 39-53-2144 | 5597-14APB7F | 14 |
| 22 | 17.7 | 39-53-2134 | 5597-13APB7F | 13 |
| 20.75 | 16.45 | 39-53-2124 | 5597-12APB7F | 12 |
| 19.5 | 15.2 | 39-53-2114 | 5597-11APB7F | 11 |
| 18.25 | 13.95 | 39-53-2104 | 5597-10APB7F | 10 |
| 17 | 12.7 | 39-53-2094 | 5597-09APB7F | 9 |
| 15.75 | 11.45 | 39-53-2084 | 5597-08APB7F | 8 |
| 14.5 | 10.2 | 39-53-2074 | 5597-07APB7F | 7 |
| 13.25 | 8.95 | 39-53-2064 | 5597-06APB7F | 6 |
| 12 | 7.7 | 39-53-2054 | 5597-05APB7F | 5 |
| 10.75 | 6.45 | 39-53-2044 | 5597-04APB7F | 4 |
| 9.5 | 5.2 | 39-53-2034 | 5597-03APB7F | 3 |
| B | A | EDP No. | ENG No. | CIRCUITS |
| | | ORDER No. | | |

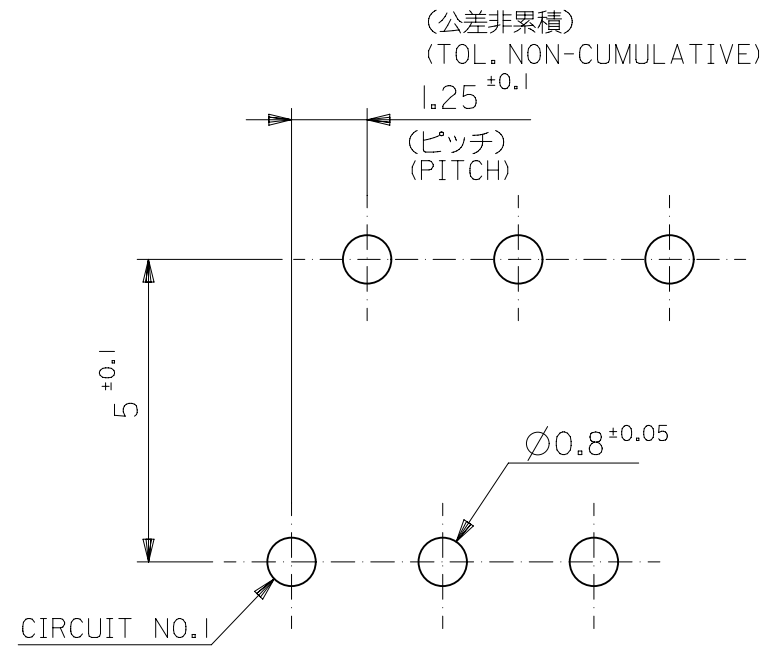
MATERIAL
HOUSING, ACTUATOR : PBT, UL94V-0
TERMINAL : PHOSPHOR-BRONZE, THK : 0.3t

FINISH
TIN-BISMUTH PLATING : 1.0 MICROMETER MINIMUM
OVER NICKEL PLATING : 1.0 MICROMETER MINIMUM

| | | | | |
|--|-------|---|---|------------|
| GENERAL TOLERANCE (UNLESS SPECIFIED) | | THIS DRAWING CONTAINS INFORMATION THAT IS PROPRIETARY TO MOLEX ELECTRONIC TECHNOLOGIES, LLC AND SHOULD NOT BE USED WITHOUT WRITTEN PERMISSION | | |
| 0.25 UNDER | ±0.03 | DIMENSION UNITS | SCALE | |
| 0.25 OVER 0.5 UNDER | ±0.05 | mm | NTS | |
| 0.5 OVER 1.0 UNDER | ±0.1 | GENERAL TOLERANCES (UNLESS SPECIFIED) | | |
| 1.0 OVER 10 UNDER | ±0.2 | ANGULAR TOL ± 3.0° | | |
| 10 OVER 30 UNDER | ±0.25 | 4 PLACES ± | EC NO: 733771 DRWN: ANIKES1 CHK'D: GGA APPR: GGA | |
| 30 OVER | ±0.3 | 3 PLACES ± | | |
| DRAFT WHERE APPLICABLE MUST REMAIN WITHIN DIMENSIONS | | 2 PLACES ± | | 2023/01/13 |
| | | 1 PLACE ± | | 2023/02/24 |
| | | 0 PLACES ± | INITIAL REVISION: | |
| | | DRWN: MNAGATA APPR: MSASAO | | |
| | | THIRD ANGLE PROJECTION | 2004/05/26 | |
| | | DRAWING | 2004/05/28 | |
| | | A3-SIZE | SERIES | |
| | | | 5597 | |
| | | MATERIAL NUMBER | CUSTOMER | |
| | | SEE TABLE | GENERAL MARKET | |
| | | DOCUMENT NUMBER | DOC TYPE DOC PART REVISION | |
| | | SD-5597-011 | PSD 001 D1 | |
| | | SHEET NUMBER | 1 OF 2 | |



適合FPC/FFC推奨寸法
RECOMMENDED FPC/FFC
厚さ THK : 0.3 ± 0.05



基板取付穴推奨寸法 (t=1.6)
RECOMMENDED P.C. BOARD
HOLE DIMENSION

FPC/FFCについて:

打抜き方向は導体側から補強板側を推奨いたします。
導体部については軟銅箔35マイクロメートルまたは50マイクロメートルを推奨いたします。

ABOUT FPC/FFC

RECOMMENDED PUNCHER DIRECTION : FROM CONDUCTOR SIDE TO STIFFENER FILM SIDE.
RECOMMENDED CONDUCTOR SPEC :
THICKNESS OF SOFT COPPER FOIL : 35 MICROMETER OR 50 MICROMETER.

FPCについて:

補強フィルム材質はポリイミドを推奨します。
接着剤は熱硬化接着剤を推奨します。

ABOUT FPC

RECOMMENDED MATERIAL :
STIFFENER FILM : POLYIMIDE
BONDING AGENT : THERMOSETTING BONDING AGENT

| | | | | | | | | | |
|---|-------|--|------------|--------|--|----------------|----------|--------------|----------|
| THIS DRAWING CONTAINS INFORMATION THAT IS PROPRIETARY TO MOLEX ELECTRONIC TECHNOLOGIES, LLC AND SHOULD NOT BE USED WITHOUT WRITTEN PERMISSION | | | | | | | | | |
| DIMENSION UNITS | SCALE | CURRENT REV DESC: OBSOLETE PART NUMBERS AS PER PCN#510806 | | | molex | | | | |
| mm | NTS | | | | | | | | |
| GENERAL TOLERANCES (UNLESS SPECIFIED) | | | | | 1.25 FPC CONNECTOR ASSY ZIF -LEAD FREE- | | | | |
| ANGULAR TOL ± 3.0° | | | | | PRODUCT CUSTOMER DRAWING | | | | |
| 4 PLACES | ± | EC NO: 733771 | | | DOCUMENT NUMBER | | DOC TYPE | DOC PART | REVISION |
| 3 PLACES | ± | DRWN: ANIKES1 | 2023/01/13 | | SD-5597-011 | | PSD | 001 | D1 |
| 2 PLACES | ± | CHK'D: GGA | 2023/02/24 | | | | | | |
| 1 PLACE | ± | APPR: GGA | 2023/02/24 | | | | | | |
| 0 PLACES | ± | INITIAL REVISION: | | | | | | | |
| | | DRWN: MNAGATA | 2004/05/26 | | | | | | |
| | | APPR: MSASAO | 2004/05/28 | | | | | | |
| DRAFT WHERE APPLICABLE MUST REMAIN WITHIN DIMENSIONS | | THIRD ANGLE PROJECTION | DRAWING | SERIES | MATERIAL NUMBER | CUSTOMER | | SHEET NUMBER | |
| | | | A3-SIZE | 5597 | SEE TABLE | GENERAL MARKET | | 2 OF 2 | |