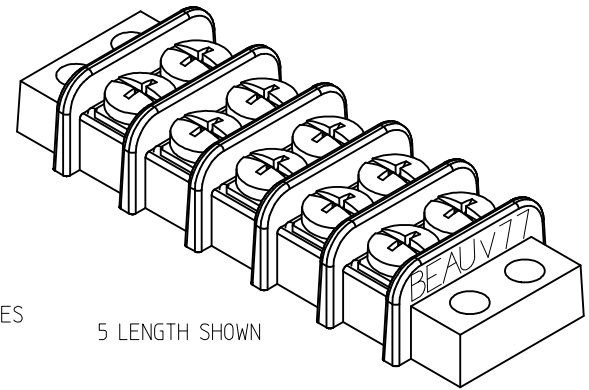
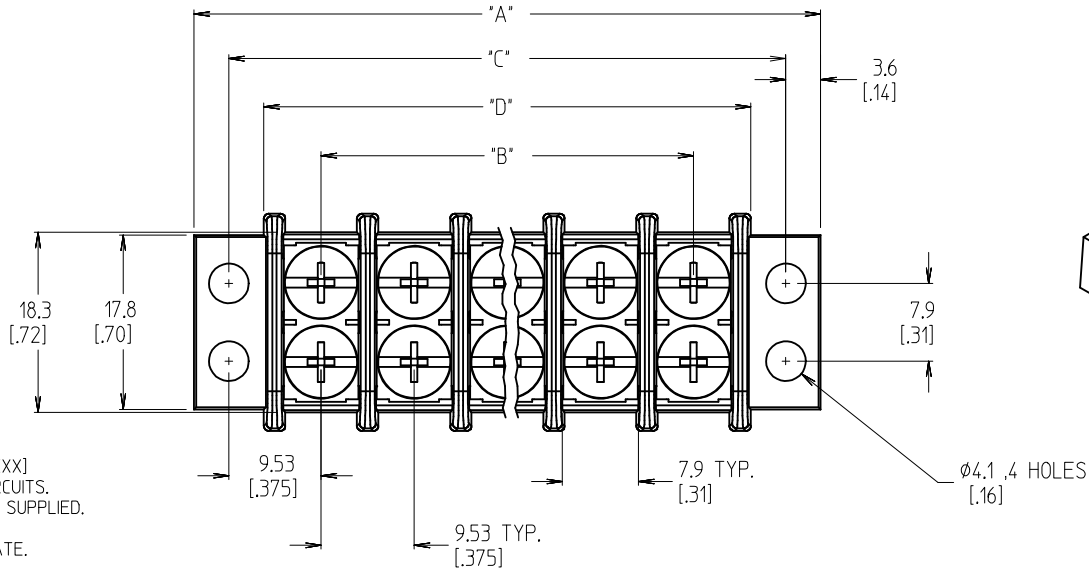


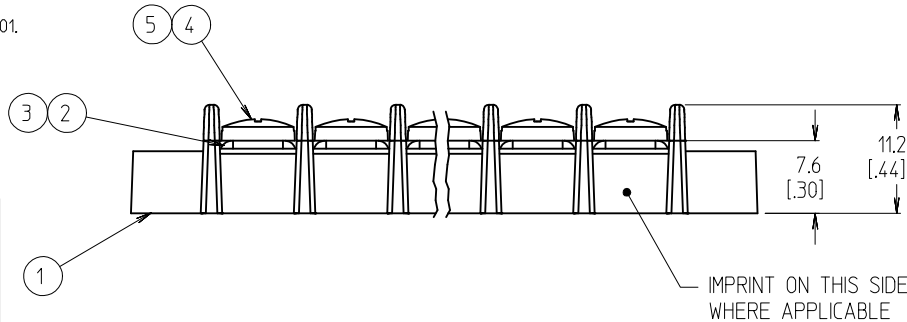
REF. -50 OPT. SCREW
(WHERE APPLICABLE)

NOTES:

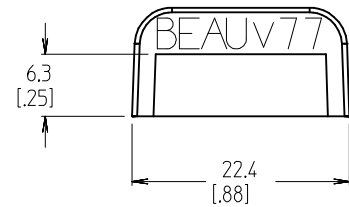
1. MATERIAL: SEE TABLE
2. FINISHES: SEE TABLE
3. INCH DIMS ARE SHOWN IN BRACKETS [XXX]
4. "XX" REFERS TO THE QUANTITY OF CIRCUITS.
5. -61 OPTION: ONE ROW OF SCREWS NOT SUPPLIED. SCREW QUANTITY = "XX".
6. -49 OPTION: USE ITEM 3 TERMINAL PLATE. ALL OTHERS USE ITEM 2.
7. -58 OPTION: NO SCREWS SUPPLIED.
8. FOR IMPRINTING (-10A OPTION) SEE SD-38120-001.
9. ALL COMPONENTS ARE ROHS COMPLIANT.



5 LENGTH SHOWN



IMPRINT ON THIS SIDE
WHERE APPLICABLE



| TOLERANCES | | | |
|------------|-------|-----------|-------|
| MM | TOL | INCH | TOL |
| 0-6 | ±0.25 | 0-.24 | ±.010 |
| >6-30 | ±0.40 | .24-1.18 | ±.016 |
| >30-120 | ±0.50 | 1.18-4.76 | ±.020 |
| >120 | ±0.80 | >4.76 | ±.031 |

| ITEM | QTY. | DESCRIPTION | MATERIAL NO. | ENGINEERING NO. |
|------|------|--|--------------|-----------------|
| 6 | XX*2 | SCREW&WASHER, #6-32X.250, PAN, PHIL-SLOT (-50) | STEEL | ZINC W/CHROMATE |
| 5 | XX*2 | SCREW, #6-32X.250, BHD, PHIL-SLOT (-49) | BRASS | NICKEL PLATE |
| 4 | XX*2 | SCREW, #6-32X.250, BHD, PHIL-SLOT (STD &-61) | STEEL | ZINC W/CHROMATE |
| 3 | XX | TERMINAL PLATE, TIN PLATED (SEE NOTE 6) | BRASS | TIN PLATE |
| 2 | XX | TERMINAL PLATE, NICKEL PLATED | BRASS | NICKEL PLATE |
| 1 | 1 | INSULATOR | PBT | BLACK |

RPM 1201844875
EC NO: IPG2018-0437
DRAWN: ABENJAMIN W 2018/03/21
CHKD:
APPR: TMOI DEGEORIE 2018/03/23

QUALITY SYMBOLS
▽=0
▽=0

GENERAL TOLERANCES (UNLESS SPECIFIED)
mm INCH
4 PLACES ± --- ± ---
3 PLACES ± --- ± ---
2 PLACES ± --- ± ---
1 PLACE ± --- ± ---
ANGULAR ± ---°
DRAFT WHERE APPLICABLE
MUST REMAIN WITHIN DIMENSIONS

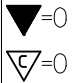
DIMENSION STYLE MM/IN
DRAWN BY DATE
C. YORK 2006/08/11
CHECKED BY DATE
J. MACNEIL 2006/08/11
APPROVED BY DATE
R. DEROSS 2006/08/11

SCALE 2:1
DESIGN UNITS INCH
THIRD ANGLE PROJECTION
TITLE 9.53 [.375] DOUBLE ROW LOW PROFILE BTS ASSY
MATERIAL NO. SEE SHT. 2
DOCUMENT NO. SD-38770-004
SHEET NO. 1 OF 2
THIS DRAWING CONTAINS INFORMATION THAT IS PROPRIETARY TO MOLEX INCORPORATED AND SHOULD NOT BE USED WITHOUT WRITTEN PERMISSION

| NO. OF CIRCUITS | DIM. "A" | | DIM. "B" | | DIM. "C" | | DIM. "D" | | ASSEMBLY MATERIAL NO. (STANDARD) | ASSEMBLY MATERIAL NO. (-49 OPTION) | ASSEMBLY MATERIAL NO. (-50 OPTION) | ASSEMBLY MATERIAL NO. (-58 OPTION) | ASSEMBLY MATERIAL NO. (-10A OPTION) | ASSEMBLY MATERIAL NO. (-61 OPTION) |
|-----------------|----------|-------|----------|--------|----------|--------|----------|-------|----------------------------------|------------------------------------|------------------------------------|------------------------------------|-------------------------------------|------------------------------------|
| | mm | in | mm | in | mm | in | mm | in | | | | | | |
| 02 | 35.7 | 1.41 | 9.53 | 0.375 | 28.58 | 1.125 | 21.3 | 0.84 | 38770-0102 | 38770-0202 | 38770-0302 | 38770-0402 | 38770-0502 | 38770-0602 |
| 03 | 45.2 | 1.78 | 19.05 | 0.750 | 38.10 | 1.500 | 30.8 | 1.21 | 38770-0103 | 38770-0203 | 38770-0303 | 38770-0403 | 38770-0503 | 38770-0603 |
| 04 | 54.7 | 2.16 | 28.58 | 1.125 | 47.63 | 1.875 | 40.3 | 1.59 | 38770-0104 | 38770-0204 | 38770-0304 | 38770-0404 | 38770-0504 | 38770-0604 |
| 05 | 64.3 | 2.53 | 38.10 | 1.500 | 57.15 | 2.250 | 49.8 | 1.96 | 38770-0105 | 38770-0205 | 38770-0305 | 38770-0405 | 38770-0505 | 38770-0605 |
| 06 | 73.8 | 2.91 | 47.63 | 1.875 | 66.68 | 2.625 | 59.4 | 2.34 | 38770-0106 | 38770-0206 | 38770-0306 | 38770-0406 | 38770-0506 | 38770-0606 |
| 07 | 83.3 | 3.28 | 57.15 | 2.250 | 76.20 | 3.000 | 68.9 | 2.71 | 38770-0107 | 38770-0207 | 38770-0307 | 38770-0407 | 38770-0507 | 38770-0607 |
| 08 | 92.8 | 3.66 | 66.68 | 2.625 | 85.73 | 3.375 | 78.4 | 3.09 | 38770-0108 | 38770-0208 | 38770-0308 | 38770-0408 | 38770-0508 | 38770-0608 |
| 09 | 102.4 | 4.03 | 76.20 | 3.000 | 95.25 | 3.750 | 87.9 | 3.46 | 38770-0109 | 38770-0209 | 38770-0309 | 38770-0409 | 38770-0509 | 38770-0609 |
| 10 | 111.9 | 4.41 | 85.73 | 3.375 | 104.78 | 4.125 | 97.5 | 3.84 | 38770-0110 | 38770-0210 | 38770-0310 | 38770-0410 | 38770-0510 | 38770-0610 |
| 11 | 121.4 | 4.78 | 95.25 | 3.750 | 114.30 | 4.500 | 107.0 | 4.21 | 38770-0111 | 38770-0211 | 38770-0311 | 38770-0411 | 38770-0511 | 38770-0611 |
| 12 | 130.9 | 5.16 | 104.78 | 4.125 | 123.83 | 4.875 | 116.5 | 4.59 | 38770-0112 | 38770-0212 | 38770-0312 | 38770-0412 | 38770-0512 | 38770-0612 |
| 13 | 140.5 | 5.53 | 114.30 | 4.500 | 133.35 | 5.250 | 126.0 | 4.96 | 38770-0113 | 38770-0213 | 38770-0313 | 38770-0413 | 38770-0513 | 38770-0613 |
| 14 | 150.0 | 5.91 | 123.83 | 4.875 | 142.88 | 5.625 | 135.6 | 5.34 | 38770-0114 | 38770-0214 | 38770-0314 | 38770-0414 | 38770-0514 | 38770-0614 |
| 15 | 159.5 | 6.28 | 133.35 | 5.250 | 152.40 | 6.000 | 145.1 | 5.71 | 38770-0115 | 38770-0215 | 38770-0315 | 38770-0415 | 38770-0515 | 38770-0615 |
| 16 | 169.0 | 6.66 | 142.88 | 5.625 | 161.93 | 6.375 | 154.6 | 6.09 | 38770-0116 | 38770-0216 | 38770-0316 | 38770-0416 | 38770-0516 | 38770-0616 |
| 17 | 178.6 | 7.03 | 152.40 | 6.000 | 171.45 | 6.750 | 164.1 | 6.46 | 38770-0117 | 38770-0217 | 38770-0317 | 38770-0417 | 38770-0517 | 38770-0617 |
| 18 | 188.1 | 7.41 | 161.93 | 6.375 | 180.89 | 7.125 | 173.7 | 6.84 | 38770-0118 | 38770-0218 | 38770-0318 | 38770-0418 | 38770-0518 | 38770-0618 |
| 19 | 197.6 | 7.78 | 171.45 | 6.750 | 190.50 | 7.500 | 183.2 | 7.21 | 38770-0119 | 38770-0219 | 38770-0319 | 38770-0419 | 38770-0519 | 38770-0619 |
| 20 | 207.1 | 8.16 | 180.89 | 7.125 | 200.03 | 7.875 | 192.7 | 7.59 | 38770-0120 | 38770-0220 | 38770-0320 | 38770-0420 | 38770-0520 | 38770-0620 |
| 21 | 216.7 | 8.53 | 190.50 | 7.500 | 209.55 | 8.250 | 202.2 | 7.96 | 38770-0121 | 38770-0221 | 38770-0321 | 38770-0421 | 38770-0521 | 38770-0621 |
| 22 | 226.2 | 8.91 | 200.03 | 7.875 | 219.08 | 8.625 | 211.8 | 8.34 | 38770-0122 | 38770-0222 | 38770-0322 | 38770-0422 | 38770-0522 | 38770-0622 |
| 23 | 235.7 | 9.28 | 209.55 | 8.250 | 228.60 | 9.000 | 221.3 | 8.71 | 38770-0123 | 38770-0223 | 38770-0323 | 38770-0423 | 38770-0523 | 38770-0623 |
| 24 | 245.2 | 9.66 | 219.08 | 8.625 | 238.13 | 9.375 | 230.8 | 9.09 | 38770-0124 | 38770-0224 | 38770-0324 | 38770-0424 | 38770-0524 | 38770-0624 |
| 25 | 254.8 | 10.03 | 228.60 | 9.000 | 247.65 | 9.750 | 240.3 | 9.46 | 38770-0125 | 38770-0225 | 38770-0325 | 38770-0425 | 38770-0525 | 38770-0625 |
| 26 | 264.3 | 10.41 | 238.13 | 9.375 | 257.18 | 10.125 | 249.9 | 9.84 | 38770-0126 | 38770-0226 | 38770-0326 | 38770-0426 | 38770-0526 | 38770-0626 |
| 27 | 273.8 | 10.78 | 247.65 | 9.750 | 266.70 | 10.500 | 259.4 | 10.21 | 38770-0127 | 38770-0227 | 38770-0327 | 38770-0427 | 38770-0527 | 38770-0627 |
| 28 | 283.3 | 11.16 | 257.18 | 10.125 | 276.23 | 10.875 | 268.9 | 10.59 | 38770-0128 | 38770-0228 | 38770-0328 | 38770-0428 | 38770-0528 | 38770-0628 |
| 29 | 292.9 | 11.53 | 266.70 | 10.500 | 285.75 | 11.250 | 278.4 | 10.96 | 38770-0129 | 38770-0229 | 38770-0329 | 38770-0429 | 38770-0529 | 38770-0629 |
| 30 | 302.4 | 11.91 | 276.23 | 10.875 | 295.28 | 11.625 | 288.0 | 11.34 | 38770-0130 | 38770-0230 | 38770-0330 | 38770-0430 | 38770-0530 | 38770-0630 |

| TOLERANCES | | | |
|------------|-------|-----------|--------|
| MM | TOL | INCH | TOL |
| 0-6 | ±0.25 | 0-.24 | ±0.010 |
| >6-30 | ±0.40 | .24-1.18 | ±0.016 |
| >30-120 | ±0.50 | 1.18-4.76 | ±0.020 |
| >120 | ±0.80 | >4.76 | ±0.031 |

RPM T201844875
 EC NO: IPG2018-0437
 DRAWN: ABENJAMIN W 2018/03/21
 CHKD:
 APPR: TMOI DEGEIRIE 2018/03/23

QUALITY SYMBOLS

 DESCRIPTION
 REV

GENERAL TOLERANCES (UNLESS SPECIFIED)

| | mm | INCH |
|----------------|-------|-------|
| 4 PLACES | ± --- | ± --- |
| 3 PLACES | ± --- | ± --- |
| 2 PLACES | ± --- | ± --- |
| 1 PLACE | ± --- | ± --- |
| ANGULAR ± ---° | | |

DRAFT WHERE APPLICABLE
 MUST REMAIN WITHIN DIMENSIONS

DIMENSION STYLE
MM/IN

DRAWN BY DATE
 C. YORK 2006/08/11

CHECKED BY DATE
 J. MACNEIL 2006/08/11

APPROVED BY DATE
 R. DEROSS 2006/08/11

MATERIAL NO.


SIZE
B

SCALE
2:1

DESIGN UNITS
INCH

THIRD ANGLE PROJECTION

**9.53 [3.75] DOUBLE ROW
 LOW PROFILE BTS ASSY**

 **MOLEX INCORPORATED**

DOCUMENT NO.
SD-38770-004

SHEET NO.
2 OF 2

THIS DRAWING CONTAINS INFORMATION THAT IS PROPRIETARY TO MOLEX INCORPORATED AND SHOULD NOT BE USED WITHOUT WRITTEN PERMISSION