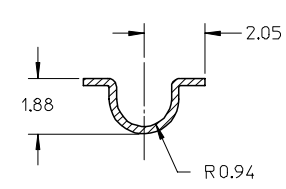
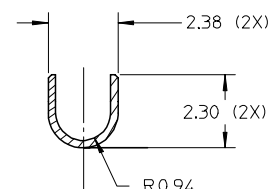


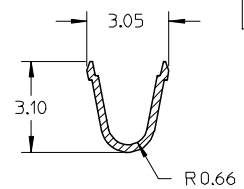
| | | | |
|------------------------------|--------------------------|----------------------|----------------|
| PRODUCT SPECIFICATION NUMBER | HOUSING PART NUMBER | TERMINAL PART NUMBER | WING TYPE △ |
| PS-78036-001 | 78037-1001 OR 78166-1001 | 78037-2001 | BEND |
| PS-78196-001 | 78197-1001 | 78037-2005 | STRAIGHT |



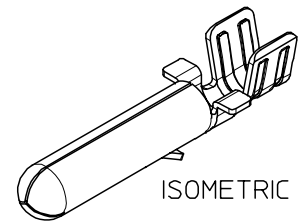
SECTION Y-Y
△ BEND WING TYPE



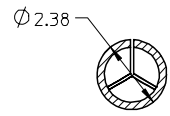
SECTION Y-Y
STRAIGHT WING TYPE △



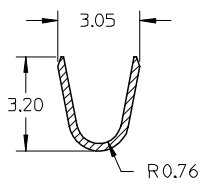
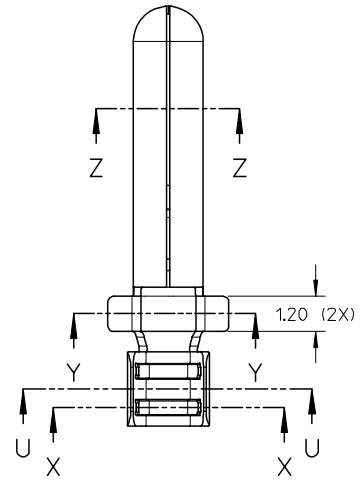
SECTION X-X



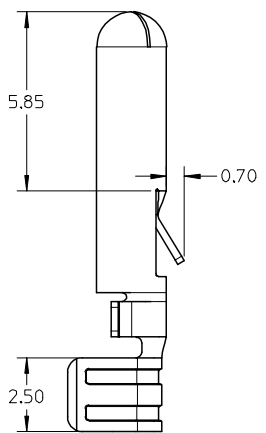
ISOMETRIC VIEW



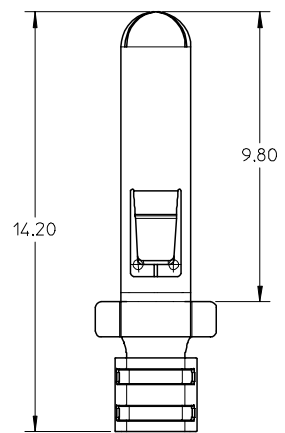
SECTION Z-Z



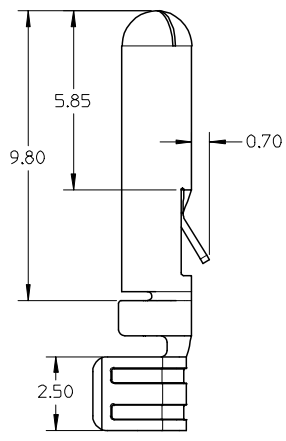
SECTION U-U



BEND WING TYPE △

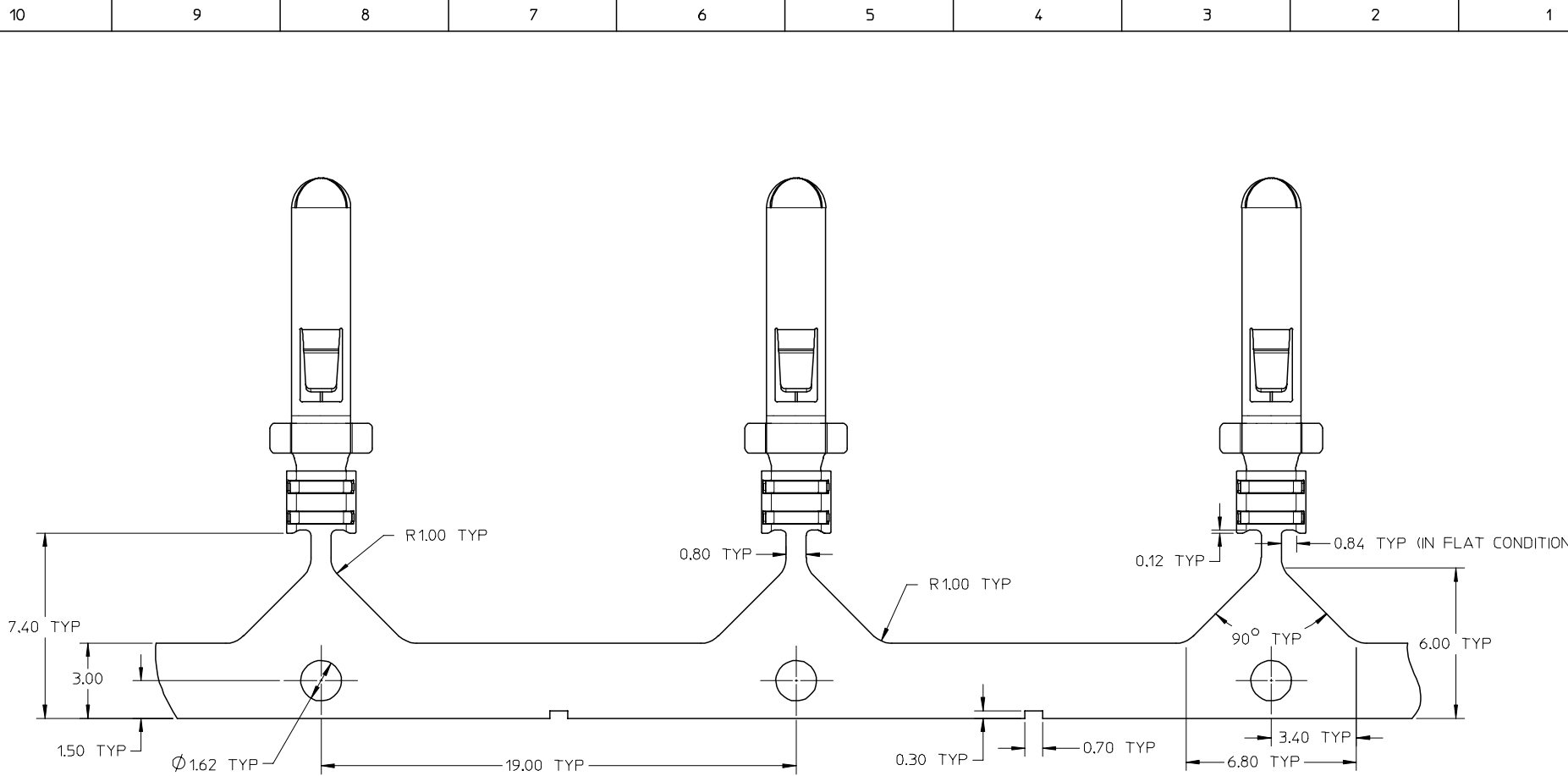


STRAIGHT WING TYPE △



- NOTES:
- MATERIAL: COPPER ALLOY
PLATING SPEC.: 0.94µm MIN. TIN OVER 0.54µm MIN. NICKEL UNDERPLATE.
 - HOUSING TO BE USED WITH : SEE TABLE.
 - CRIMP SPECIFICATION : CS-78036-001.
 - PRODUCT SPECIFICATION : SEE TABLE.
 - PACKAGING INFORMATION : PAPER REEL.
 - △ THE FIGURE SHOWN IS FOR ILLUSTRATION PURPOSE.
IT IS APPLIED TO BOTH STRAIGHT AND BEND WING TYPE.
 - △ REFER TO TABLE FOR PART NUMBER.

| | | | | | | | | | |
|--|-------------------------------|---------------------------------------|--|---|--------------|--------------------------|------------------------|--|--|
| REVISED EC NO: S2007-1075 DRWN: BOKOK CHKD: YKH APPR: KCLING 2007/08/22 2007/08/24 2007/08/24 | QUALITY SYMBOLS ▽=0 ▽=0 | GENERAL TOLERANCES (UNLESS SPECIFIED) | | DIMENSION STYLE | SCALE | DESIGN UNITS | THIRD ANGLE PROJECTION | | |
| | | | | MM ONLY | NTS | METRIC | | | |
| | | | | DRAWN BY | DATE | TITLE | | | |
| | | | | DATE | DATE | PROJECTOR LAMP CONNECTOR | | | |
| | | | | CHECKED BY | DATE | 13MM PITCH, PLUG | | | |
| | | | | DATE | DATE | TERMINAL | | | |
| | | | | APPROVED BY | DATE | MOLEX INCORPORATED | | | |
| | | | | DATE | DATE | SD-78037-005 | | | |
| | | | | MATERIAL NO. | DOCUMENT NO. | SHEET NO. | | | |
| | | | | SEE TABLE | SD-78037-005 | 1 OF 3 | | | |
| | | | | THIS DRAWING CONTAINS INFORMATION THAT IS PROPRIETARY TO MOLEX INCORPORATED AND SHOULD NOT BE USED WITHOUT WRITTEN PERMISSION | | | | | |



TERMINAL LAYOUT \triangle

| | | | | | | | | | | | | |
|--|------------|--|--|----------|----------------------------|-------------------|-----------------------|---|------------------------------|--|---------------------|--|
| REVISED EC NO: S2007-1075 DRWN: BOKOK CHKD: YOH APPR: KCLING | 2007/08/22 | QUALITY SYMBOLS $\nabla=0$ $\triangle=0$ | GENERAL TOLERANCES (UNLESS SPECIFIED) | | DIMENSION STYLE MM ONLY | | SCALE NTS | DESIGN UNITS METRIC | THIRD ANGLE PROJECTION | | | |
| | 2007/08/24 | | DESCRIPTION | mm | INCH | DRAWN BY BOKOK | DATE 2007/02/26 | TITLE PROJECTOR LAMP CONNECTOR 13MM PITCH, PLUG TERMINAL | | | | |
| | 2007/08/24 | | REV | 4 PLACES | ± --- | ± --- | CHECKED BY CGOH | DATE 2007/03/01 | MOLEX INCORPORATED | | | |
| | | | | 3 PLACES | ± --- | ± --- | APPROVED BY KCLING | DATE 2007/03/01 | DOCUMENT NO. SD-78037-005 | | SHEET NO. 2 OF 3 | |
| A2 | | | 2 PLACES | ± 0.30 | ± --- | MATERIAL NO. | | SEE TABLE | | | | |
| | | | 1 PLACE | ± --- | ± --- | SIZE A3 | | THIS DRAWING CONTAINS INFORMATION THAT IS PROPRIETARY TO MOLEX INCORPORATED AND SHOULD NOT BE USED WITHOUT WRITTEN PERMISSION | | | | |
| | | | ANGULAR ± 3 ° | | | | | | | | | |
| | | | DRAFT WHERE APPLICABLE MUST REMAIN WITHIN DIMENSIONS | | | | | | | | | |

10 9 8 7 6 5 4 3 2 1

F

F

E

E

D

D

C

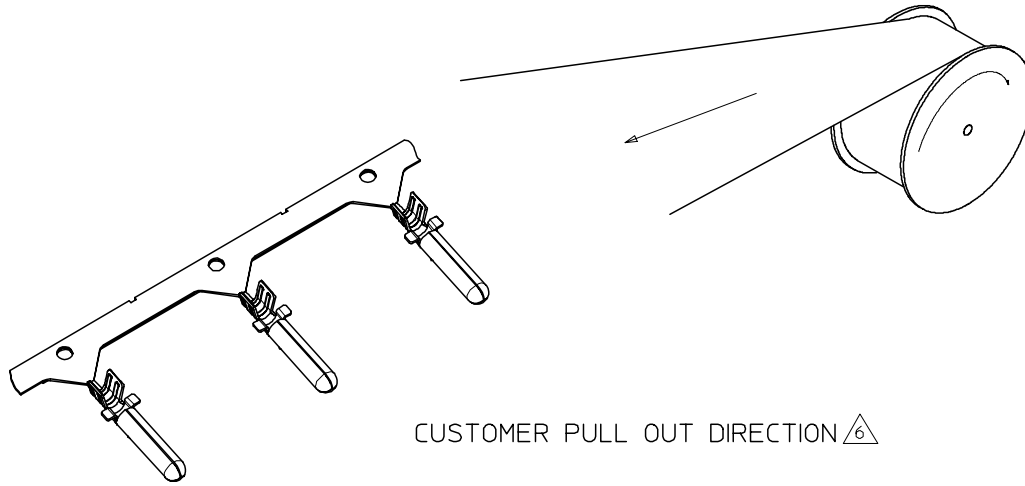
C

B

B

A

A



CUSTOMER PULL OUT DIRECTION $\triangle 6$

| | | | | | | | | | | | |
|--|--|--|---------------------------------------|--|----------------------------|--------------------|---|---|------------------------|--|--|
| REVISED EC NO: S2007-1075 DRWN: BOKOK CHKD: YOH APPR: KCLING | 2007/08/22 2007/08/24 2007/08/24 | QUALITY SYMBOLS $\blacktriangledown = 0$ $\triangle C = 0$ | GENERAL TOLERANCES (UNLESS SPECIFIED) | | DIMENSION STYLE MM ONLY | | SCALE NTS | DESIGN UNITS METRIC | THIRD ANGLE PROJECTION | | |
| | | | mm | INCH | DRAWN BY BOKOK | DATE 2007/02/26 | TITLE PROJECTOR LAMP CONNECTOR 13MM PITCH, PLUG TERMINAL | | | | |
| | | | 4 PLACES \pm --- | \pm --- | CHECKED BY CGOH | DATE 2007/03/01 | MOLEX INCORPORATED | | | | |
| | | | 3 PLACES \pm --- | \pm --- | APPROVED BY KCLING | DATE 2007/03/01 | DOCUMENT NO. SD-78037-005 | | SHEET NO. 3 OF 3 | | |
| | | 2 PLACES ± 0.30 | \pm --- | DRAFT WHERE APPLICABLE MUST REMAIN WITHIN DIMENSIONS | | SEE TABLE | | | | | |
| | | 1 PLACE \pm --- | \pm --- | | | SIZE A3 | | THIS DRAWING CONTAINS INFORMATION THAT IS PROPRIETARY TO MOLEX INCORPORATED AND SHOULD NOT BE USED WITHOUT WRITTEN PERMISSION | | | |
| | | ANGULAR $\pm 3^\circ$ | | | | | | | | | |

9 8 7 6 5 4 3 2 1