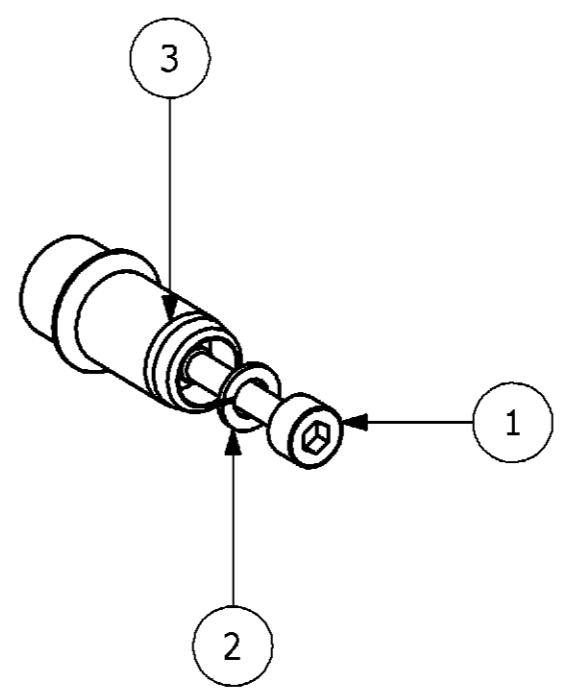


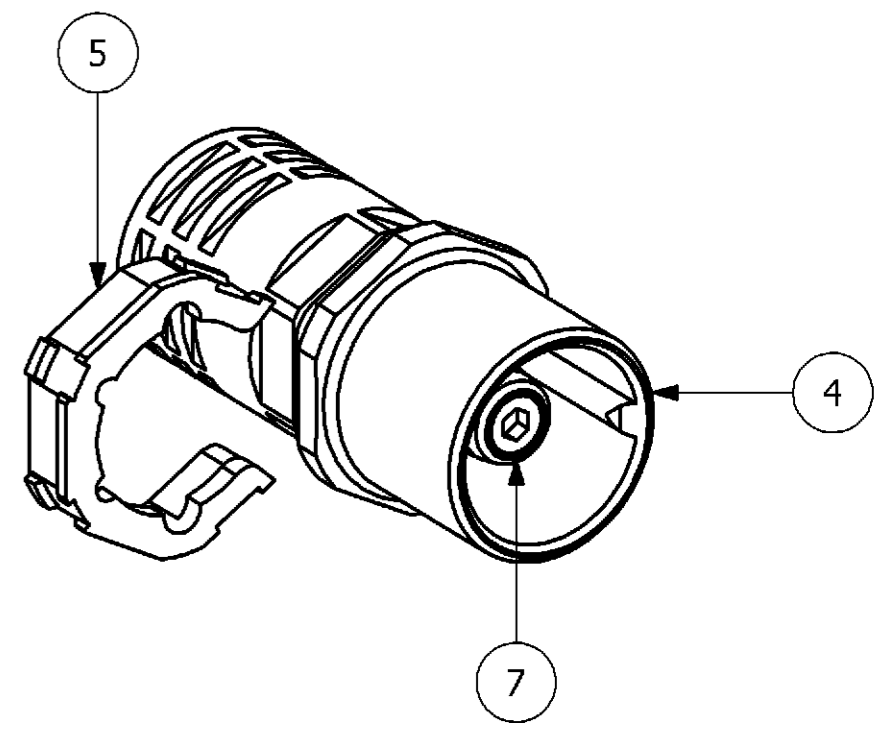
LOC		DIST		REVISIONS			DATE	DWN	APVD
AI		-		P	LTR	DESCRIPTION			
PROJEKT NR.		B901815		A4		ECR-16-009338	06FEB2017	GCM	MKO

NOTES

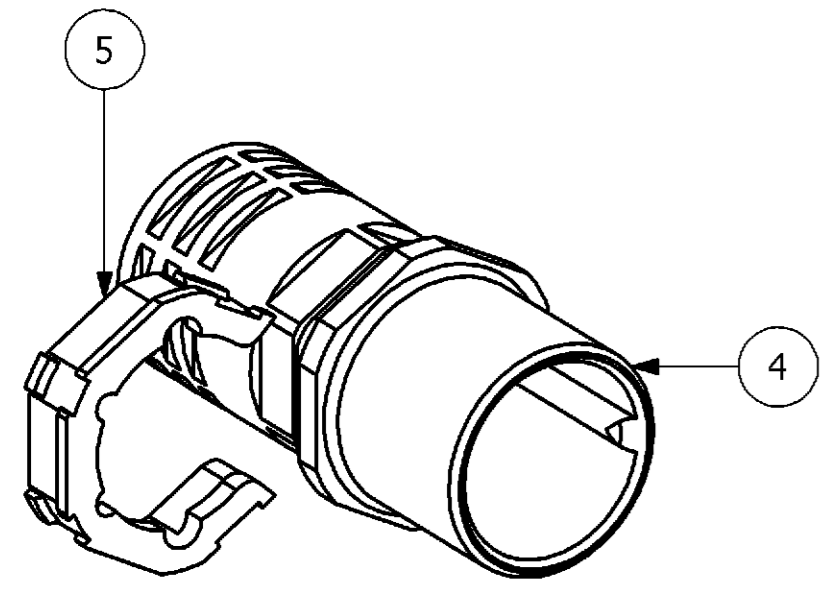
- 1 PACKAGING PN 01-05
PACKAGING QUANTITY: 5 PIECES
- 2 PACKAGING PN 06
PACKAGING QUANTITY: 1 PIECE
- TE SEE TE QUALITYMANAGEMENT PROCEDURE NO. 1.12 CURRENT REV.



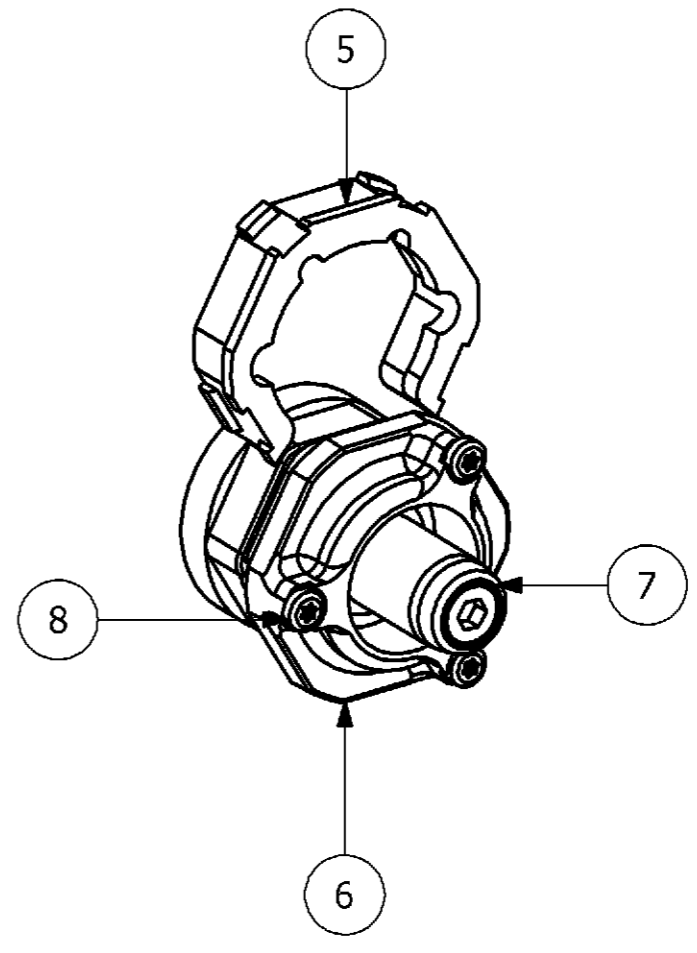
0-1/0-6



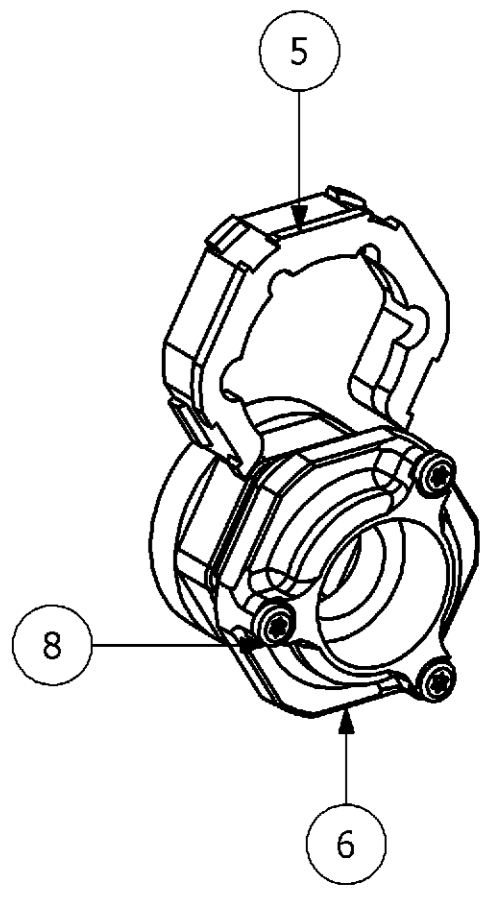
0-2



0-3



0-4



0-5

OBSOLETE

QTY	QTY	QTY	QTY	QTY	QTY	DESCRIPTION	Material	Surface/Color	ITEM/NO.
-	3	3	-	-	-	SCREW	V2A	-	8
-	-	1	-	1	-	PIN CONTACT	-	-	7
-	1	1	-	-	-	CONTACT SOCKET GROUND	GD-ZnAl	-	6
-	1	1	1	1	-	CLIP	PA66	Sw	5
-	-	-	1	1	-	CONTACT INSERT PIN	PA66	Sw	4
1	-	-	-	-	1	PIN CONTACT	CuZn	Ag	3
1	-	-	-	-	1	SPRINGWASHER	V2A	-	2
1	-	-	-	-	1	SCREW	V2A	-	1
0-6	0-5	0-4	0-3	0-2	0-1	DESCRIPTION	Material	Surface/Color	ITEM/NO.
				X		HF. 13.Sti			
			X			SET-HF. 13/16-13.Sti			
		X				HF. 13/16.Sti			
	X					SET-HF.E-13.Sti			
X						HF.E. 13/16.Sti			
X						HF. 13.Sti-1			

DWN 27.09.2006 G.WROBLEWSKI		TE Connectivity	
CHK 26.09.2006 H.BRAUN		NAME T.SCHNURPFEL	
APVD 26.09.2006		PRODUCT SPEC. 108-74025	
APPLICATION SPEC. 114-74032		DRAWING NO. 1110950	
WEIGHT 0,001 KG		RESTRICTED TO NUR FÜR	
CUSTOMER DRAWING / KUNDENZEICHNUNG		SCALE 1:1	
SHEET 1 OF 1		REV. A4	