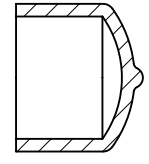
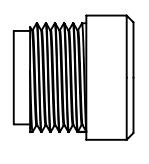
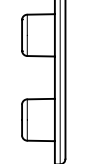
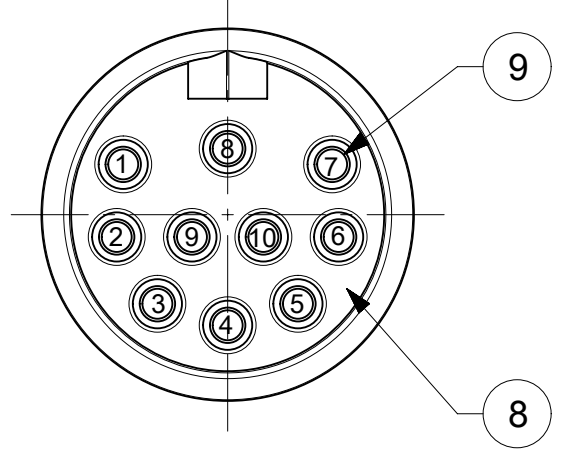


MATERIAL NO.	ENGINEERING NO.	FINISHED LENGTH
1201150055	803P802	12 IN
1201150069	803P802-02	2M (6FT 7IN)
1201150073	803P802-06	6M (19FT 8IN)

CABLE LENGTH TOLERANCES
 <.3M [1FT]: +19mm-0 [+1.75in-0]
 .3 - .9M [1 - 3FT]: +44.5mm-0 [+1.75in-0]
 .9 - 1.8M [3 - 6FT]: +55.6mm-0 [+2.19in-0]
 1.8 - 3.7M [6 - 12FT]: +88.9mm-0 [+3.50in-0]
 3.7 - 7.3M [12 - 24FT]: +165.1mm-0 [+6.50in-0]
 7.3-14.6M [24 - 48FT]: +317.5mm-0 [+12.50in-0]
 14.6 - 30.5M [48-100FT]: +622.3mm-0 [+24.50in-0]
 OVER 30M [100FT] +2% OF FINISHED LENGTH

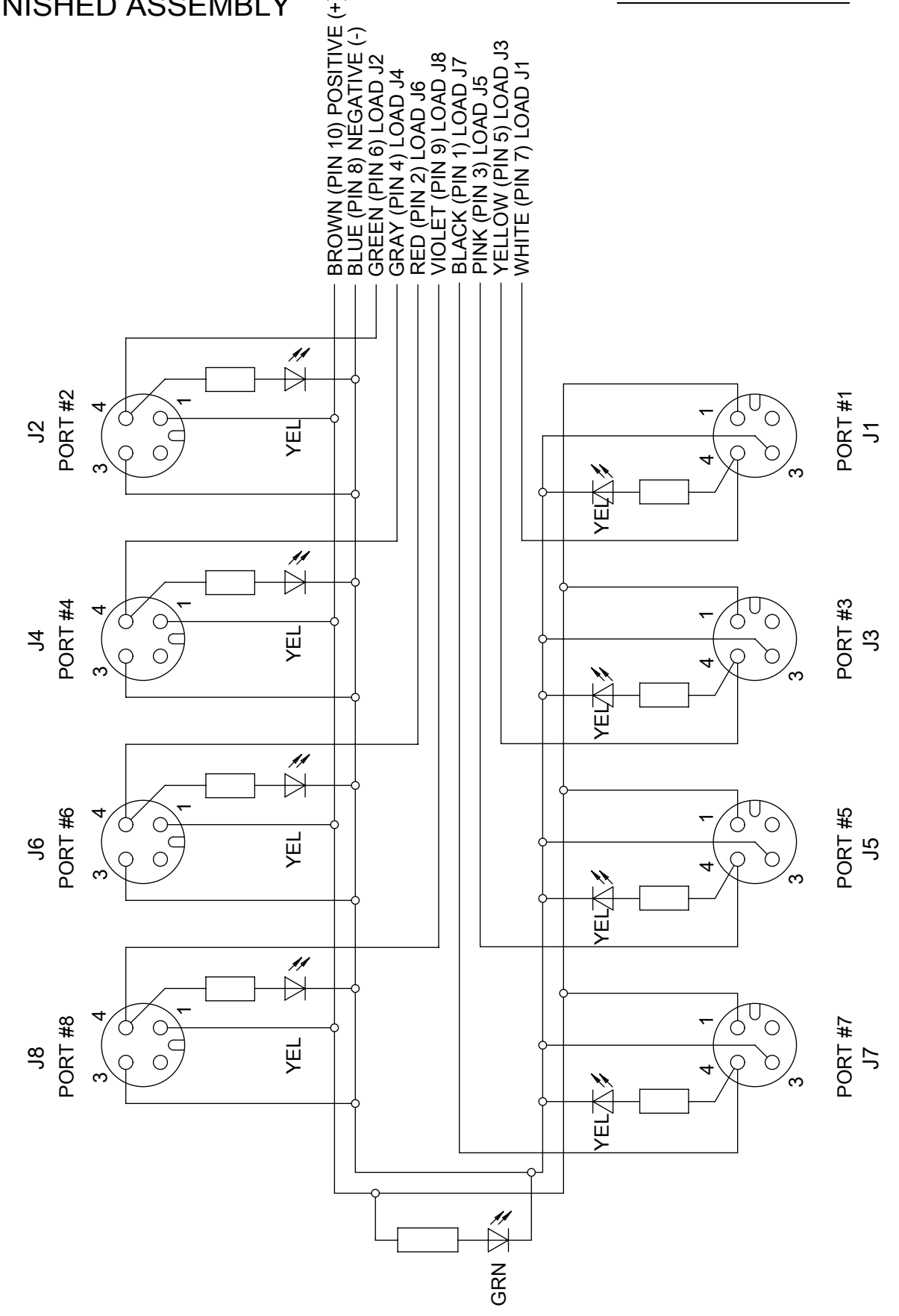
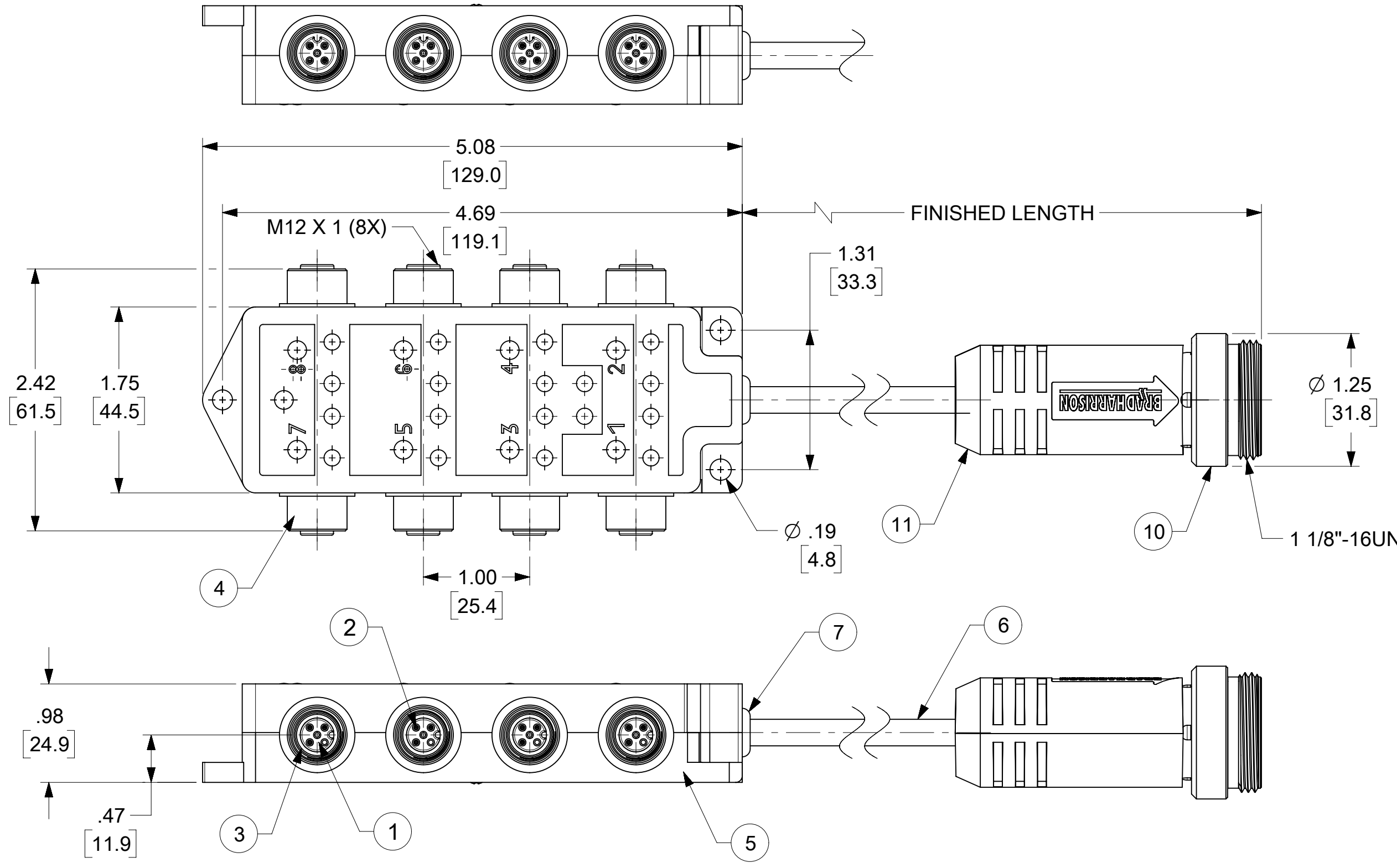
DUST PROTECTOR	BLANKING PLUG	MPIS ID LABEL
		
1201160026 (70-1710)	1203090067 (BG12103)	1203080681 (BG12490)



LENGTH: BLANK = 12IN
 -02 = 2M
 -06 = 6M
 -10 = 10M
 CAT # 803P802-XX

PARTS NOTED ABOVE ARE PACKED UNASSEMBLED WITH FINISHED ASSEMBLY

MALE FACE VIEW

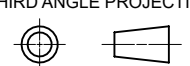


WIRING SCHEMATIC

NOTE: KEYWAY ORIENTATION SHOWN IN WIRING SCHEMATIC DOES NOT REFLECT THE ACTUAL KEYWAY ON THE PRODUCT.

ITEM	DESCRIPTION	MATERIAL	FINISH
11	OVERMOLD	TPE	YELLOW
10	COUPLING NUT	ZINC DIE-CAST	BLACK E-COAT
9	CONTACT PIN	COPPER ALLOY	GOLD PLATED
8	INSERT	TPE	YELLOW
7	GROMMET	NITRILE	BLACK
6	CABLE, #22-9 #18-1	PVC JACKET	YELLOW
5	HOUSING, 8 PORT	NYLON	YELLOW
4	RECEPTACLE SHELL	ZINC DIE-CAST	BLACK E-COAT
3	O-RING	NITRILE	RED
2	CONTACT SOCKET	COPPER ALLOY	GOLD PLATED
1	INSERT	NYLON	BLACK

- NOTES:
- MATERIAL: AS NOTED
 - FINISH: AS NOTED
 - ELECTRICAL:
VOLTAGE: 10-30 VDC
CURRENT: 4A
 - TEMP RATING: -20°C TO +80°
 - PROTECTION: IP67 (WHEN MATED)
 - ALL DIMS ARE FOR REFERENCE UNLESS NOTED OTHERWISE.

FUNCTIONAL SYMBOLS	THIS DRAWING CONTAINS INFORMATION THAT IS PROPRIETARY TO MOLEX ELECTRONIC TECHNOLOGIES, LLC AND SHOULD NOT BE USED WITHOUT WRITTEN PERMISSION		CURRENT REV DESC: CORRECTED SIDE VIEW KEYS ORIENTATION. ADDED KEYWAY ORIENTATION NOTE: VOLTAGE WAS 250V.	
	DIMENSION UNITS	SCALE		
$F_A = 0$	INCH[MM]	NTS		
$F_C = 0$	GENERAL TOLERANCES (UNLESS SPECIFIED)			
$F_P = 0$		MM	INCH	
DIVISIONAL SYMBOLS	4 PLACES	±	±	
	3 PLACES	±	±	
	2 PLACES	±	±	
	1 PLACE	±	±	
	0 PLACES	±	±	
	ANGULAR TOL	±	°	
DRAFT WHERE APPLICABLE MUST REMAIN WITHIN DIMENSIONS		THIRD ANGLE PROJECTION		DRAWING SERIES
				C-SIZE 120115

EC NO: 747593		2023/04/26	
DRWN: VASUTHKARP		2023/04/28	
CHK'D: MBRZOZOWSKI		2023/04/28	
APPR: BWOODMAN		2023/04/28	
INITIAL REVISION:			
DRWN: BW		2009/08/27	
APPR: JFMURPHY		2009/08/28	
MATERIAL NUMBER		CUSTOMER	SHEET NUMBER
SD-120115-009		GENERAL MARKET	1 OF 1



MICRO-CHANGE MPIS
8 PORT SIDE MOUNT PNP MC 10P M/M/P PVC

PRODUCT CUSTOMER DRAWING

DOCUMENT NUMBER DOC TYPE DOC PART REVISION

SD-120115-009 PSD 001 B2