

1 Products affected

Product hierarchy no. *				Part no.	SBU	Type / Description	Customer part no.
SBU	PG	PUG	Type				
02	005	016	0000001107	See list below	Power Entry Modules w/o Filters	KEA	
02	005	116	0000001136	See list below	Power Entry Modules w/o Filters	KEA-Print	

*SBU (2-digit) / PG (3-digit) / PUG (3-digit) / Type (10-digit)

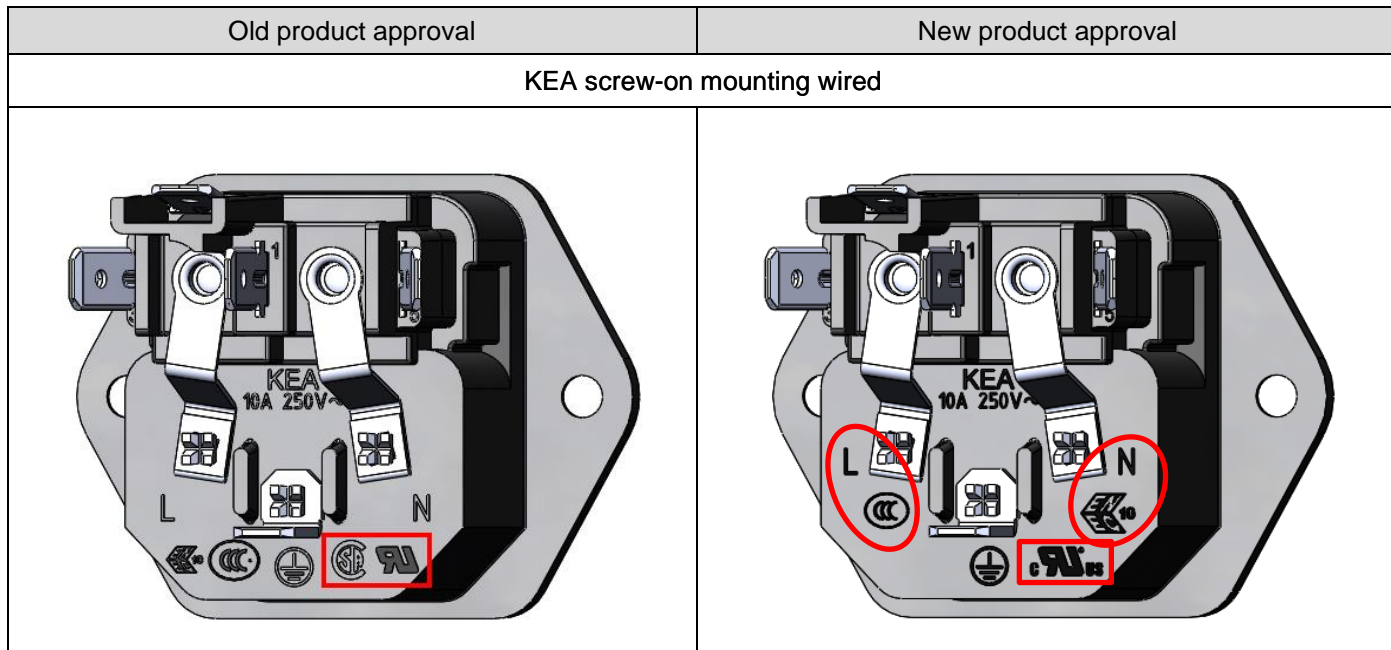
List of part numbers affected

KEA						
3-108-981	4301.0001	4301.0002	4301.0003	4301.0004	4301.0011	4301.0021
4301.0022	4301.0023	4301.0024	4301.0062	4301.0201	4301.0221	4301.0224
4301.0234	4301.0501	4301.0502	4301.0503	4301.0504	4301.0511	4301.0521
4301.0522	4301.0523	4301.0524	4301.0531	4301.0532	4301.0553	4301.0701
4301.0703	4301.0704	4301.0714	4301.0721	4301.0722	4301.0723	4301.0724
4301.0756	4301.1214.04	4301.2001	4301.2002	4301.2003	4301.2004	4301.2021
4301.2022	4301.2023	4301.2024	4301.2041	4301.2042	4301.2043	4301.2044
4301.2061	4301.2062	4301.2063	4301.2064	4301.2071	4301.2121	4301.2122
4301.2123	4301.2124	4301.2141	4301.2142	4301.2143	4301.2441	4301.2443
4301.2474	4301.4051	4301.8038				
KEA-Print						
4301.3201	4301.3202	4301.3203	4301.3204	4301.3207	4301.3211	4301.3212
4301.3213	4301.3214	4301.3323	4301.3324	4301.3331	4301.3333	

2 Type of change

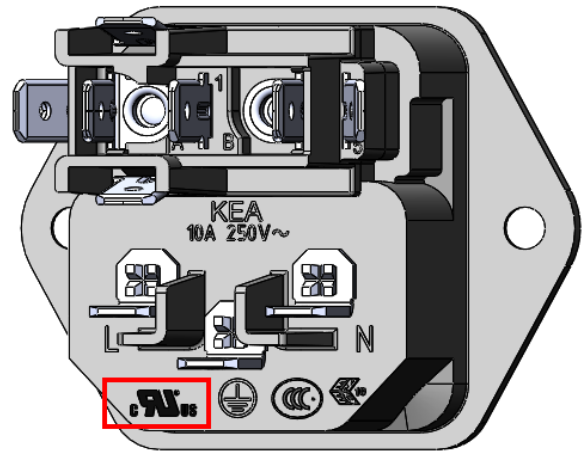
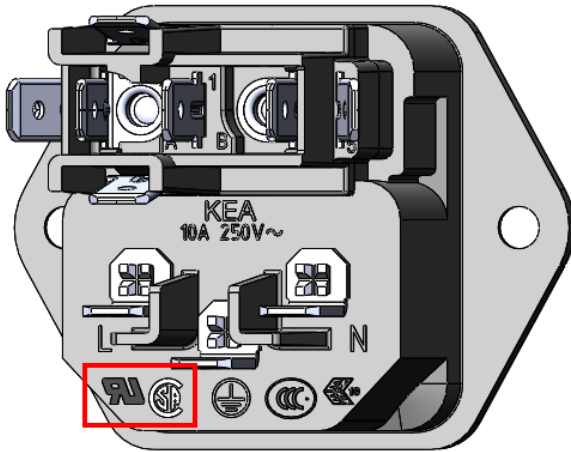
- Change of markings
- Modified packaging label

3 Detailed description of change

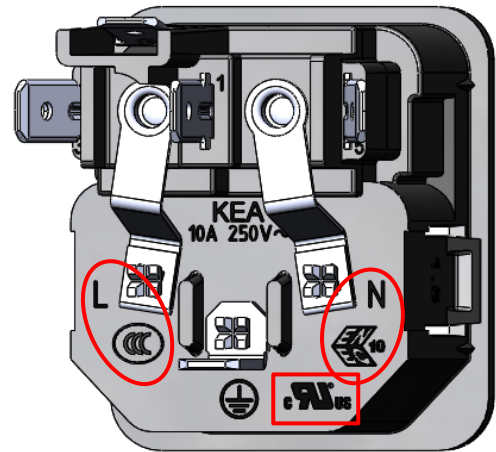
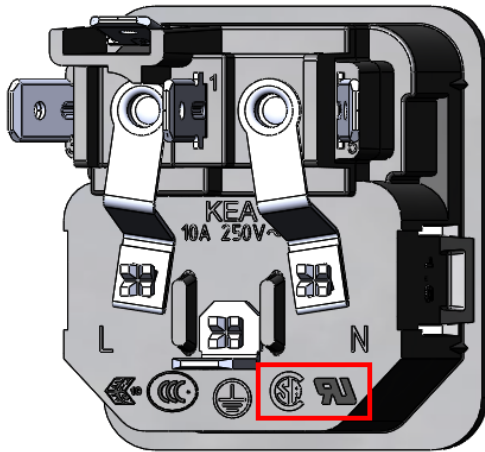


Product Change Notification					KEA and KEA-Print power entry module		
owner	creation date	release date	released by	change order no	rev	page	D10-032-663
sariogar	11.12.2018	25.03.2019	blumhe	2016811	A	1 of 4	

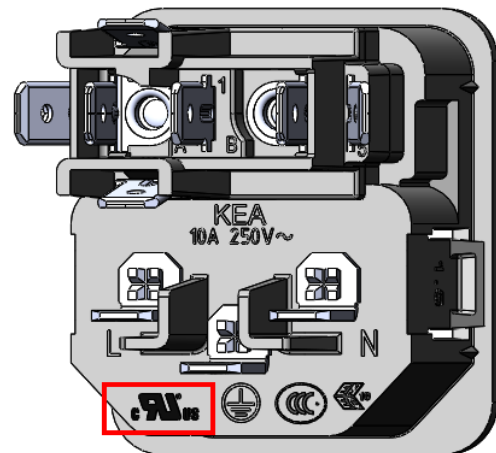
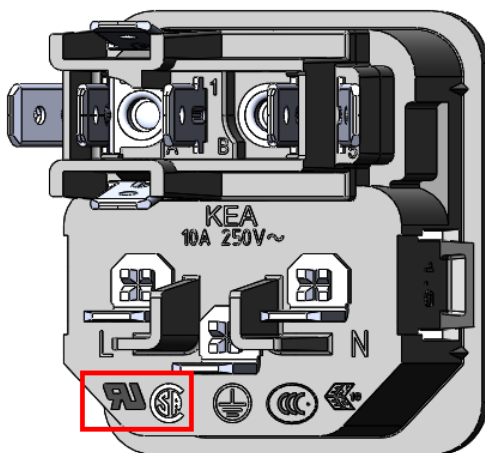
KEA screw-on mounting unwired



KEA snap-in mounting wired

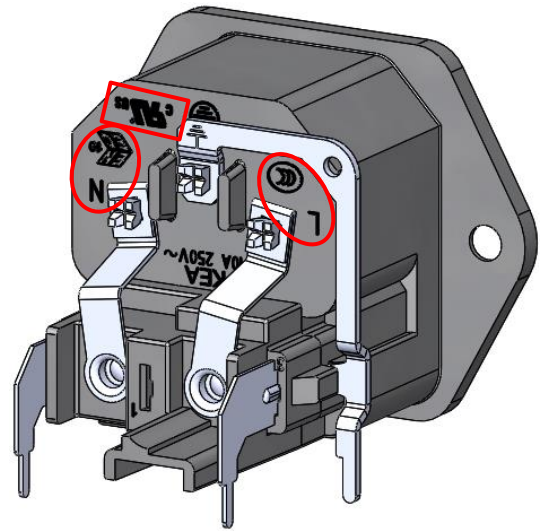
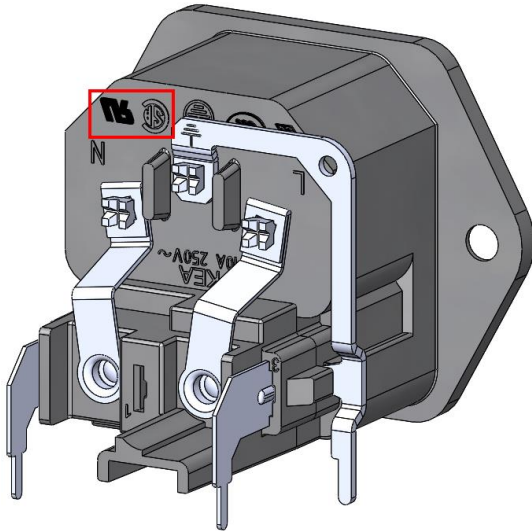


KEA snap-in mounting unwired

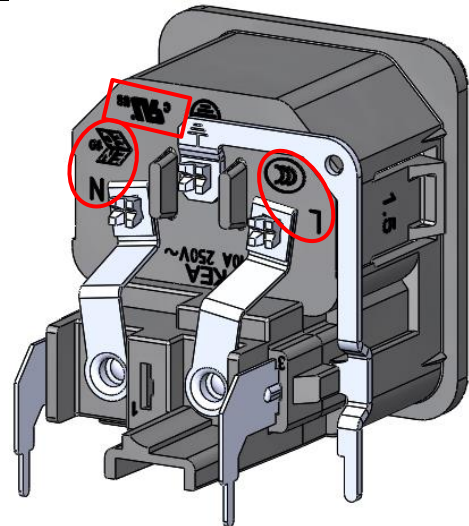
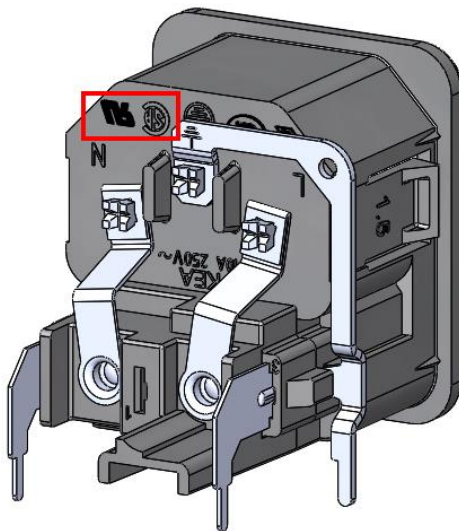


Product Change Notification						KEA and KEA-Print power entry module	
owner	creation date	release date	released by	change order no	rev	page	D10-032-663
sariogar	11.12.2018	25.03.2019	blumhe	2016811	A	2 of 4	

KEA-Print screw-on mounting wired



KEA-Print snap-in mounting wired



Old label

SCHURTER CE SCHURTER AG
CH-6002 Luzern

P/N 4301.0001

RoHS COMPLIANT

QTY 50

KEA
POWER ENTRY MODUL 10A 70°
KEA-3133-11133-0100

Lot 3216547

Date 1850

ST CoO CZ

CCC, CE, RoHS, and other certification logos.

New label

SCHURTER CE SCHURTER AG
CH-6002 Luzern

P/N 4301.0001

RoHS COMPLIANT

QTY 50

KEA
POWER ENTRY MODUL 10A 70°
KEA-3133-11133-0100

Lot 3216547

Date 1913

ST CoO CZ

CCC, CE, RoHS, and other certification logos.

Product Change Notification

KEA and KEA-Print power entry module

owner	creation date	release date	released by	change order no	rev	page	D10-032-663
sariogar	11.12.2018	25.03.2019	blumhe	2016811	A	3 of 4	

4 Reason of change

Standards update according to the new UL/CSA 60320-1.
When KEA-Print versions approval marks are covered by the ground terminal, the markers are shifted.

5 Release date

The change will be rolled-out starting ww 19/2019 (Date code 1919 or higher on label) and lasts approx. 6 months depending on the variant. This change has no effect on the validity of the approval certificates.

6 Impact of change and recommended action

Form	Yes	Change of the approval markings
Fit	No	-
Function	No	-
Manufacturing	No	-
Label	Yes	Change of the approval symbols on the packaging label
Packaging	No	-

7 Reference Documents / Attachments

Kind of document	Remarks
KEA Data Sheet	
KEA-Print Data Sheet	

Product Change Notification					KEA and KEA-Print power entry module		
owner	creation date	release date	released by	change order no	rev	page	D10-032-663
sariogar	11.12.2018	25.03.2019	blumhe	2016811	A	4 of 4	