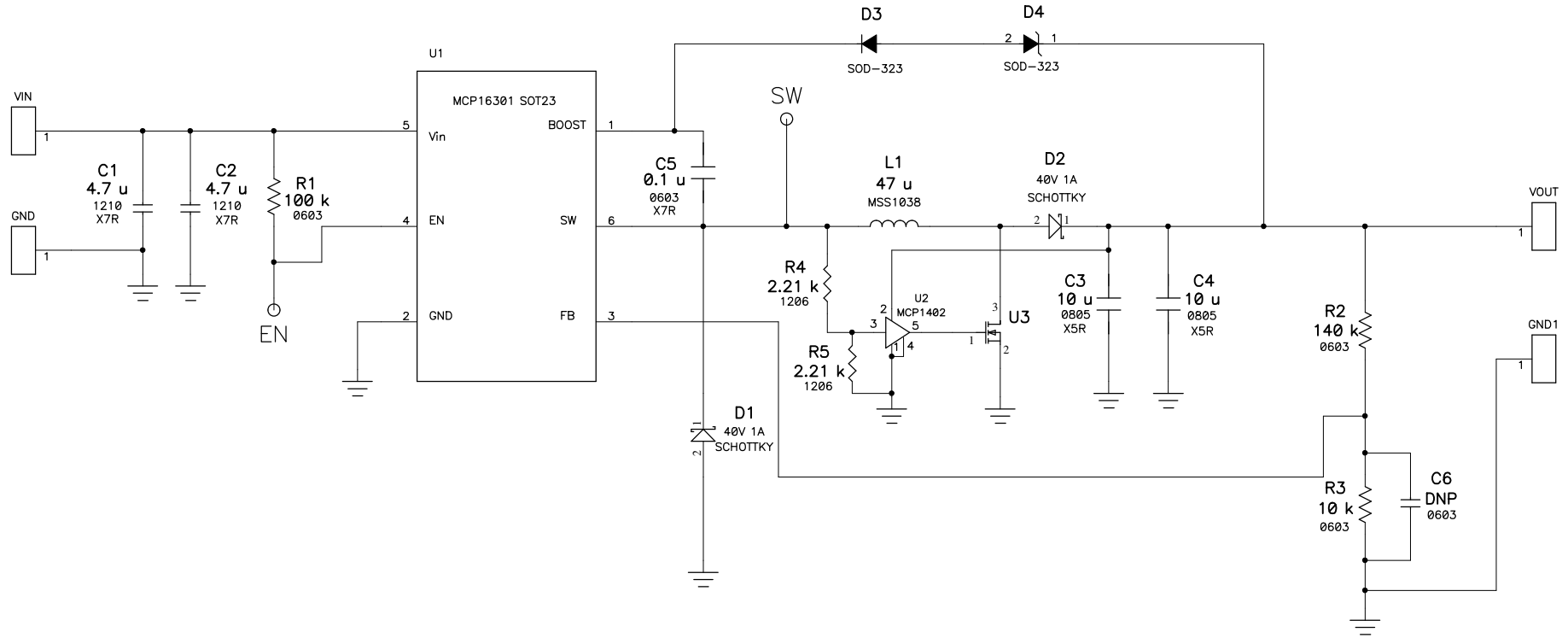


Rev	Description	Date
1	Initial Release	



Title MCP16301 High Voltage Buck-Boost Demo Board		
Size B	102-00399	Rev 1
Date: [Date]		Eng: Greg Cleveland Drawn by: G. Cleveland Sheet 1 of 1