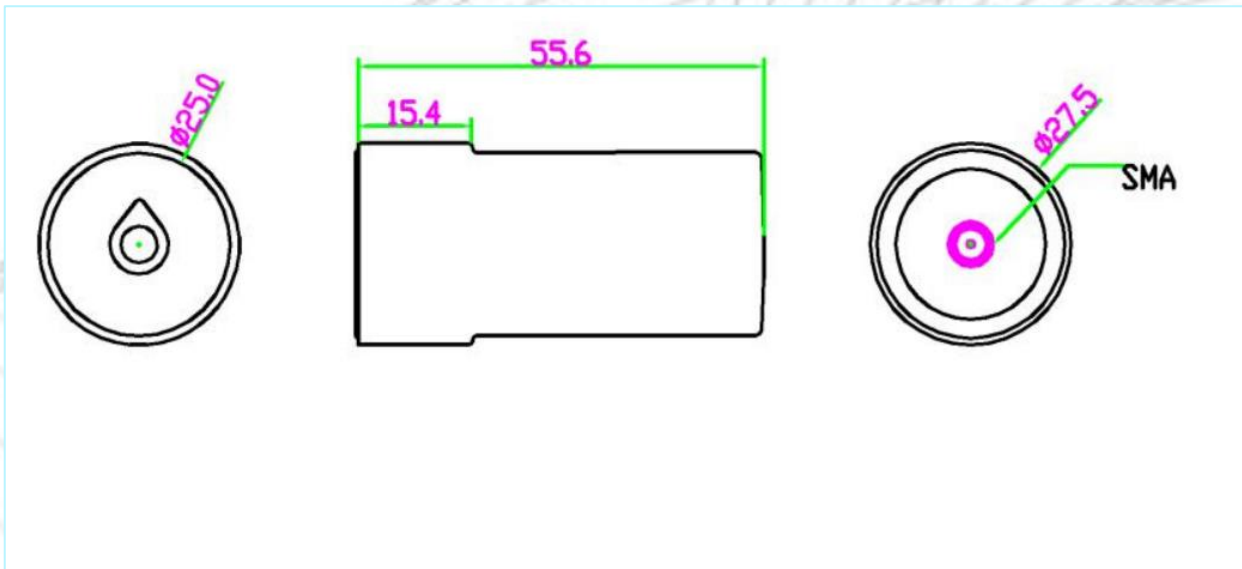


## GNSS Helical Antenna

AN\_GPS\_301



### Mechanical Dimension



## GNSS Helical Antenna

### Specifications

| Item          |                           | Specifications  |
|---------------|---------------------------|---|
| Antenna       | Center Frequency          | Compass:B1/B2/B3;<br>GPS:L1/L2;<br>GLONASS:G1/G2;<br>Galileo:E1/E5b |
|               | Polarization              | RHCP  |
|               | Gain                      | 2dBi (Zenith)   |
|               | V.S.W.R                   | <2.0  |
|               | Impedance                 | 50Ω   |
|               | Axial Ratio               | ≤3dB  |
|               | Horizontal coverage angle | 360°  |
| LNA           | Gain                      | 33±2dB  |
|               | Noise Figure              | ≤1.5dB  |
|               | Passband fluctuation      | ±2dB  |
|               | Supply Voltage            | 3.0~16V DC  |
|               | Current Consumption       | ≤35mA   |
|               | V.S.W.R                   | <2.0  |
| Mechanical    | Connector                 | SMA   |
| Environmental | Operating Temperature     | -40°C~+85°C   |
|               | Relative Humidity         | Up to 95%   |
|               | Ingress Protection        | IP67  |
|               | Vibration                 | 10 to 55Hz with 1.5mm amplitude 2hours                              |
|               | Environmentally Friendly  | ROHS Compliant  |