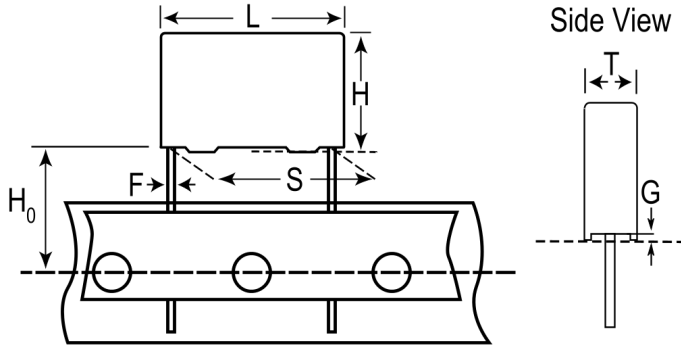


F881DI683M300R

F881, Film, Metallized Polypropylene, Safety, 0.068 uF, 20%, 300 VAC (Y2), 1000 VDC, 110°C, Lead Spacing = 22.5mm



Click [here](#) for the 3D model.

Dimensions

L	26mm -0.5mm
H	16mm -0.5mm
T	7mm -0.5mm
S	22.5mm +0.6/-0.1mm
H ₀	18.5mm +/-0.5mm
F	0.8mm +/-0.05mm
G	0.5mm NOM

Packaging Specifications

Packaging	Ammo, 360x340x59mm, Box
Packaging Quantity	380

General Information

Series	F881
Dielectric	Metallized Polypropylene
Style	Radial
Features	MKP, Pulse
RoHS	Yes
Lead	Wire Leads
Safety Class	Y2
Qualifications	ENEC, UL, cUL, CQC
AEC-Q200	No
THB Performance	No
Component Weight	3.942 g
Miscellaneous	ClimCat: 40/110/56/B.
Shelf Life	104 Weeks

Specifications

Capacitance	0.068 uF
Capacitance Tolerance	20%
Voltage AC	300 VAC (Y2)
Voltage DC	1000 VDC
Temperature Range	-40/+110°C
Rated Temperature	110°C
Dissipation Factor	0.3% 1KHz
Insulation Resistance	30 GOhms
Max dV/dt	500 V/us

Statements of suitability for certain applications are based on our knowledge of typical operating conditions for such applications, but are not intended to constitute - and we specifically disclaim - any warranty concerning suitability for a specific customer application or use. This information is intended for use only by customers who have the requisite experience and capability to determine the correct products for their application. Any technical advice inferred from this information or otherwise provided by us with reference to the use of our products is given gratis, and we assume no obligation or liability for the advice given or results obtained.