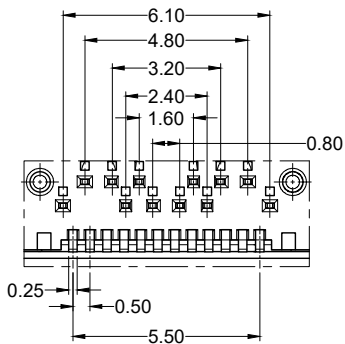
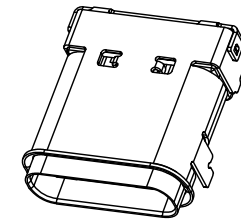


Recommended PCB Layout (Top Side)



Detail A

| Pin | Signal Name | Mating Sequence | Pin | Signal Name | Mating Sequence |
|-------|-------------|-----------------|-------|-------------|-----------------|
| A1 | GND | First | B12 | GND | First |
| A2 | SSTXp1 | Second | B11 | SSRXp1 | Second |
| A3 | SSTXn1 | Second | B10 | SSRXn1 | Second |
| A4 | VBUS | First | B9 | VBUS | First |
| A5 | CC1 | Second | B8 | SBU2 | Second |
| A6 | Dp1 | Second | B7 | Dn2 | Second |
| A7 | Dn1 | Second | B6 | Dp2 | Second |
| A8 | SBU1 | Second | B5 | CC2 | Second |
| A9 | VBUS | First | B4 | VBUS | First |
| A10 | SSRXn2 | Second | B3 | SSTXn2 | Second |
| A11 | SSRXp2 | Second | B2 | SSTXp2 | Second |
| A12 | GND | First | B1 | GND | First |
| SHELL | GND | | SHELL | GND | |



| Part Number | Contact Area Plating Finish | Packaging |
|-------------------------|-----------------------------|-------------|
| KUSB67X-SMTTH-CS4-BTR | Gold Flash (standard) | Tape & Reel |
| KUSB67X-SMTTH-CS4-B30TR | 30u" Gold (30 option) | Tape & Reel |

Materials and Finish

Insulator: High Temp.
 UL94V-0 rated
 Color- Black
 Contact Material:
 Copper Alloy
 Contact plating:
 Standard: Gold Flash on Contact Area, Tin Plated on Solder Tails, All over Nickel Underplate
 30 Option: 30u" Gold Plated on Contact Area, Tin Plated on Solder Tails, All over Nickel Underplate
 Shield: Stainless Steel,
 Nickel plated

Electrical Characteristics

Rated Current: 5A for Collectively Power supply Pins (A1, A4, A9, A12, B1, B4, B9, B12), 1.25A For Vconn Pin, 0.25A For Other Signal Pins.
 Insulation Resistance:
 100 Megohms Min.
 Contact Resistance:
 40 milliohms Max. Initial,
 50 milliohms Max. After Life Test
 Dielectric Withstanding Voltage:
 100V AC (RMS) For 1 Minute

Mechanical Characteristics

Durability: 10,000 Mating Cycles
 Insertion Force: 5N~20N
 Extraction Force :
 6N~20N After Life Test
 Operating Temperature:
 -40°C to +85°C

Tolerances

X.X ± 0.35
 X.XX ± 0.25
 Unless Stated
 Otherwise



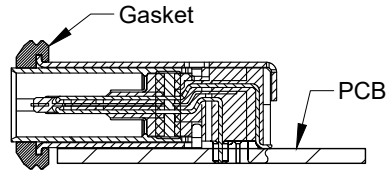
| REV. | DATE | DESCRIPTION | REV. BY | CHK. BY | DRAWN BY | DATE |
|------|----------|----------------------|-------------|------------|----------|----------|
| A0.1 | 05/29/19 | New Drawing | H. MA | D. Shehan | H. MA | 05/29/19 |
| A0.2 | 06/25/19 | Added O-Ring Info | D. Shehan | G. Serrato | | |
| A0.3 | 07/15/19 | Corrected PCB layout | D. Shehan | G. Serrato | | |
| A1 | 10/23/19 | Release Drawing | C. Kelleher | D. Shehan | | |

KUSB67X-SMTTH-CS4-BTR

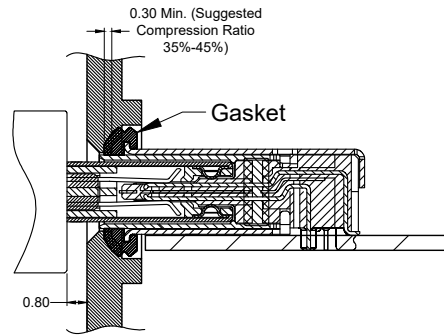
UNITS
mm

USB 3.2 Gen 2, Type C Socket
 IP67, Right Angle, Black, T/R

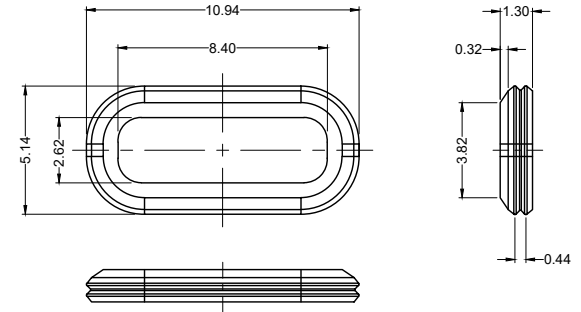




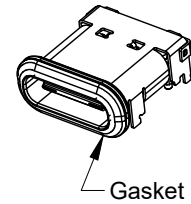
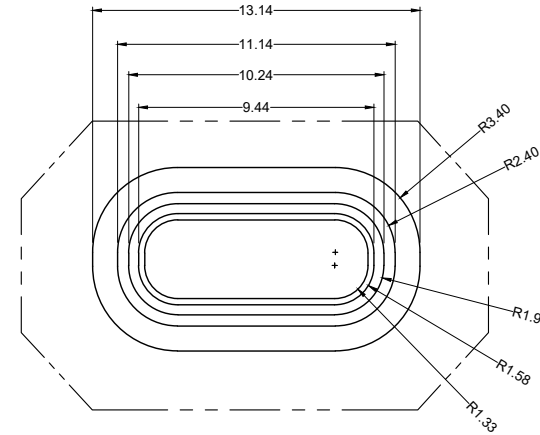
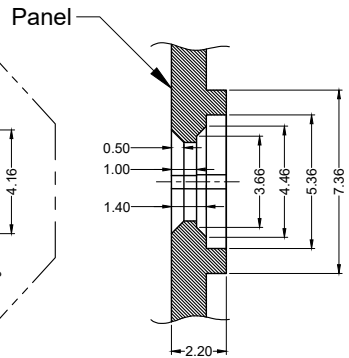
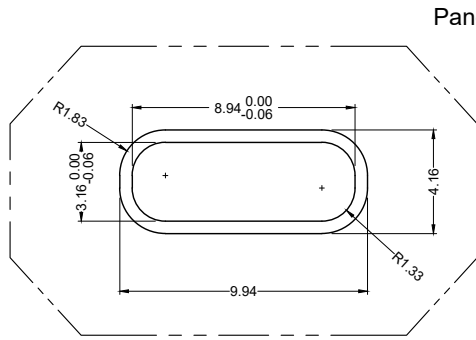
Assembly Orientation



Suggested Panel Fit



Gasket Detail
Material: Silicone, Black



Recommended Panel Opening Dimensions
Tolerance ±0.03mm

Tolerances

X.X ± 0.35
X.XX ± 0.25
Unless Stated
Otherwise

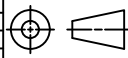
RoHS COMPLIANT

| REV. | DATE | DESCRIPTION | REV. BY | CHK. BY | DRAWN BY | DATE |
|------|----------|----------------------|-------------|------------|----------|----------|
| A0.1 | 05/29/19 | New Drawing | H. MA | D. Shehan | H. MA | 05/29/19 |
| A0.2 | 06/25/19 | Added O-Ring Info | D. Shehan | G. Serrato | | |
| A0.3 | 07/15/19 | Corrected PCB layout | D. Shehan | G. Serrato | | |
| A1 | 10/23/19 | Release Drawing | C. Kelleher | D. Shehan | | |

KUSB67X-SMTTH-CS4-BTR

USB 3.2 Gen 2, Type C Socket

IP67, Right Angle, Black, T/R



UNITS
mm