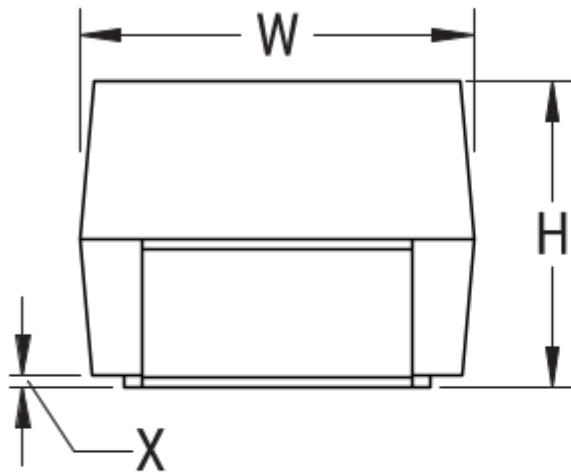


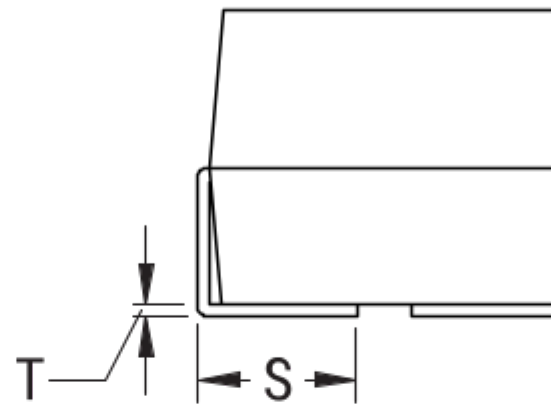
T521C475M063ATE200

T521, Tantalum, Polymer Tantalum, 4.7 uF, 20%, 63 VDC, SMD, Polymer, Molded, Low ESR, Non-Combustible, 200 mOhms, 6032, Height Max = 2.8mm

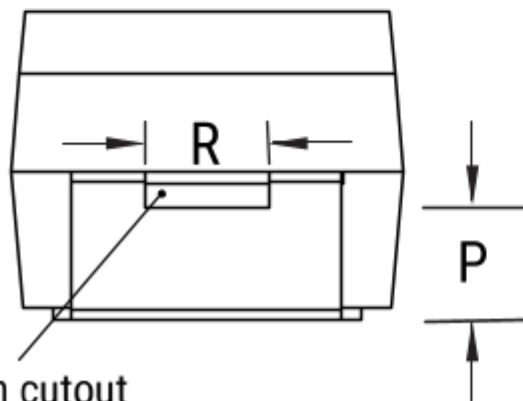
CATHODE (-) END VIEW



SIDE

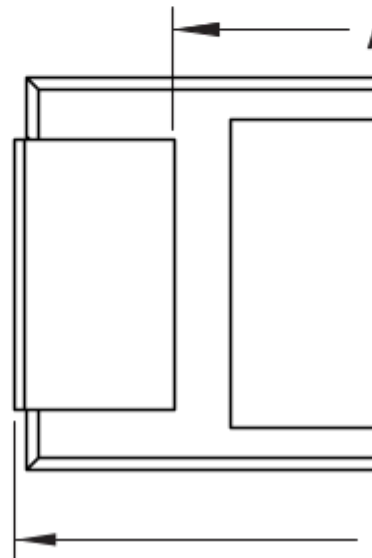


ANODE (+) END VIEW



Termination cutout
at KEMET's option,
either end

BOTTO



Click [here](#) for the 3D model.

Dimensions

Footprint 6032

L 6mm +/-0.3mm

W 3.2mm +/-0.2mm

H 2.5mm +/-0.3mm

Dimensions

T	0.13mm REF
S	1.3mm +/-0.3mm
F	2.2mm +/-0.1mm
A	2.9mm MIN
B	0.5mm +/-0.15mm
P	0.9mm REF
R	1mm REF
X	0.1mm +/-0.1mm

Packaging Specifications

Packaging	T&R, 178mm
Packaging Quantity	500

General Information

Series	T521
Dielectric	Polymer Tantalum
Style	SMD Chip
Description	SMD, Polymer, Molded, Low ESR, Non-Combustible
Features	Low ESR, High Voltage
RoHS	Yes
Termination	Tin
AEC-Q200	No
Component Weight	184.14 mg
Shelf Life	52 Weeks
MSL	3

Specifications

Capacitance	4.7 uF
Capacitance Tolerance	20%
Voltage DC	63 VDC (105C)
Temperature Range	-55/+105°C
Rated Temperature	105°C
Life	2000 Hrs (105C)
Humidity	60C, 90% RH, 500 Hours, No Load
Dissipation Factor	6% 120Hz 25C
Failure Rate	N/A
Resistance	200 mOhms (100kHz 25C)
Ripple Current	1050 mA (rms, 100kHz 45C), 735 mA (rms, 85C), 262.5 mA (rms, 105C)
Leakage Current	29.6 uA (5min 25°C)

Statements of suitability for certain applications are based on our knowledge of typical operating conditions for such applications, but are not intended to constitute - and we specifically disclaim - any warranty concerning suitability for a specific customer application or use. This Information is intended for use only by customers who have the requisite experience and capability to determine the correct products for their application. Any technical advice inferred from this Information or otherwise provided by us with reference to the use of our products is given gratis, and we assume no obligation or liability for the advice given or

results obtained.

Generated 5/18/2023 - 569973c8-11ad-4552-a985-2d0f4e5ec5d1

© 2006 - 2023 KEMET

Generated 5/18/2023 - 569973c8-11ad-4552-a985-2d0f4e5ec5d1

© 2006 - 2023 KEMET