



# TAI-SAW TECHNOLOGY CO., LTD.

No. 3, Industrial 2nd Rd., Ping-Chen Industrial District,  
Taoyuan, 324, Taiwan, R.O.C.

TEL: 886-3-4690038 FAX: 886-3-4697532

E-mail: [tstsales@mail.taisaw.com](mailto:tstsales@mail.taisaw.com) Web: [www.taisaw.com](http://www.taisaw.com)

## Approval Sheet For Product Specification

Issued Date:

Product Name: SAW Filter 945MHz SMD 3.8×3.8mm

TST Parts No.:TA0910A

Customer Parts No.: \_\_\_\_\_

Company: _____
Division: _____
Approved by : _____
Date: _____

Checked by: \_\_\_\_\_ Asin Lin 

Approval by: \_\_\_\_\_ Francis Chen 

Date: \_\_\_\_\_ 2008/08/29



# TAI-SAW TECHNOLOGY CO., LTD.

No. 3, Industrial 2nd Rd., Ping-Chen Industrial District,  
Taoyuan, 324, Taiwan, R.O.C.

TEL: 886-3-4690038 FAX: 886-3-4697532

E-mail: [tstsales@mail.taisaw.com](mailto:tstsales@mail.taisaw.com) Web: [www.taisaw.com](http://www.taisaw.com)

## SAW Filter 945 MHz

MODEL NO.: TA0910A

REV. NO.: 1

### A. MAXIMUM RATING:

1. Input Power Level: 10 dB<sub>m</sub>
2. DC voltage: 3 V
3. Operating Temperature: -20°C to 70°C
4. Storage Temperature: -40°C to +85°C

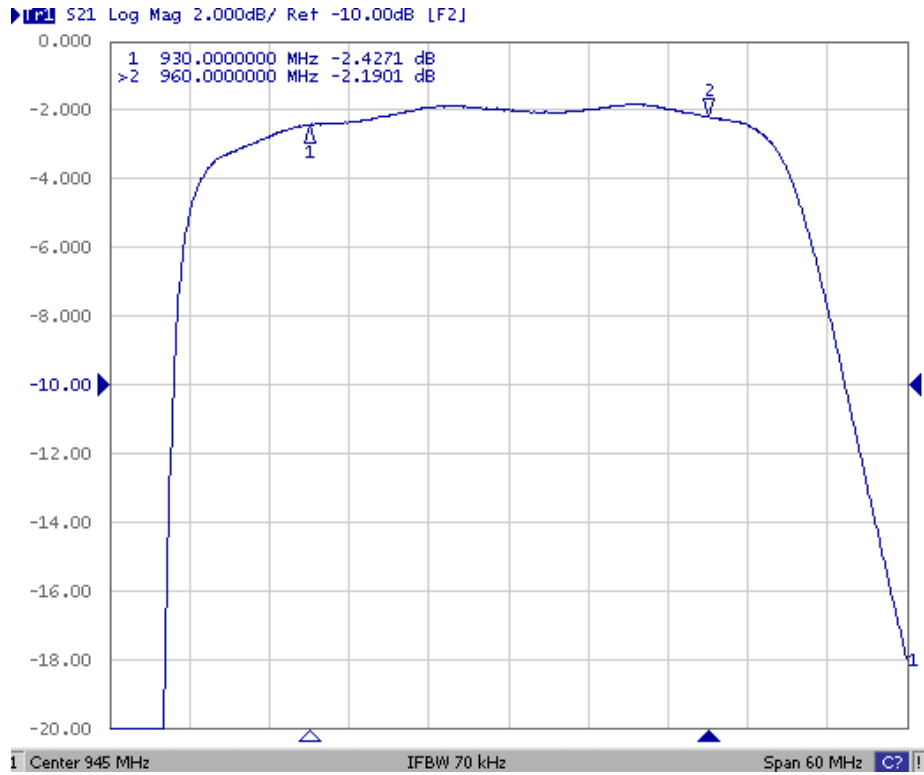
RoHS Compliant  
Lead free  
Lead-free soldering

### B. CHARACTERISTICS:

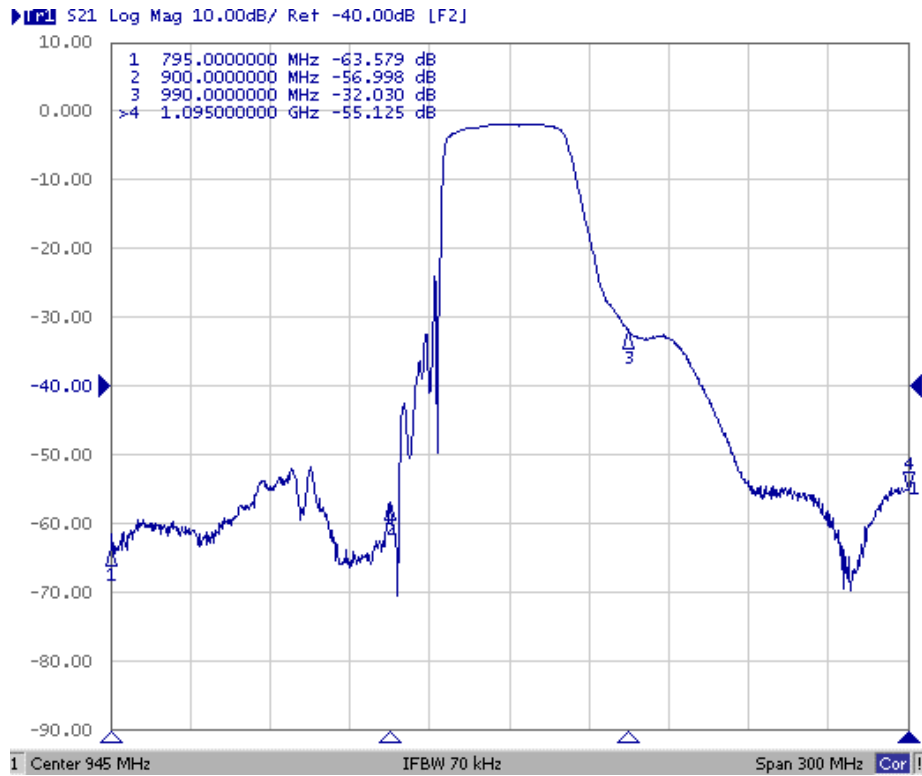
Item				Min.	Typ.	Max.
<b>Center frequency</b>	F <sub>c</sub>	MHz		-	945	-
<b>Insertion loss</b>	930 ~ 960 MHz	IL	dB	-	2.6	4.4
<b>Amplitude ripple</b>	930 ~ 960 MHz		dB	-	0.9	2.0
<b>Passband Bandwidth</b>	2dB BW		MHz	30	42	-
<b>Attenuation (Reference level from 0dB)</b>						
	795	MHz	dB	40	63	-
	900	MHz	dB	30	56	-
	990	MHz	dB	25	32	-
	1095	MHz	dB	40	55	-
<b>Source impedance</b>		Z <sub>S</sub>	Ω	-	50	-
<b>Load impedance</b>		Z <sub>L</sub>	Ω	-	50	-

Note1. No matching network required for operation at 50Ω

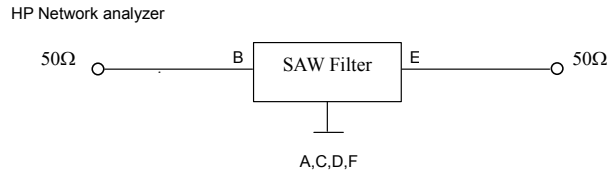
### C. Transfer Function :



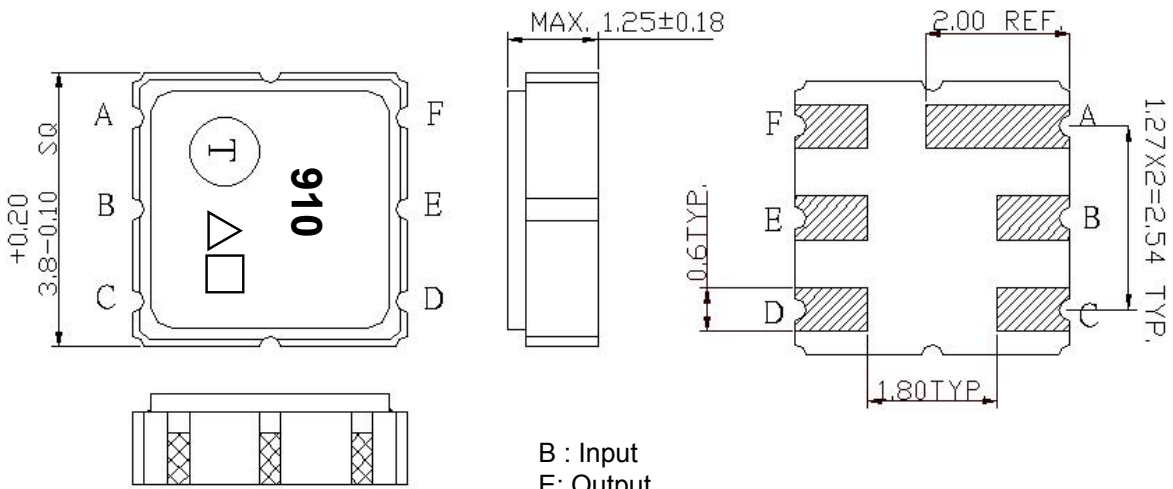
### Wideband



**D. MEASUREMENT CIRCUIT:**



**E. OUTLINE DRAWING:**

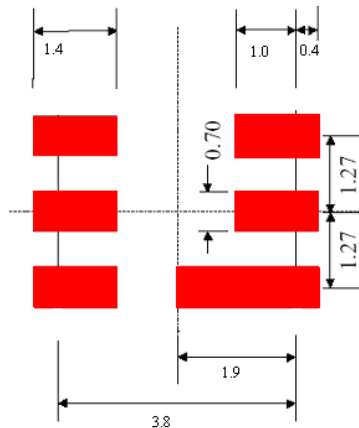


- B : Input
  - E: Output
  - A,C,D,F Ground
  - △:Year Code
  - : Date Code(Follow the table provided by planner each year.)
- Unit: mm

△ Product Year Code

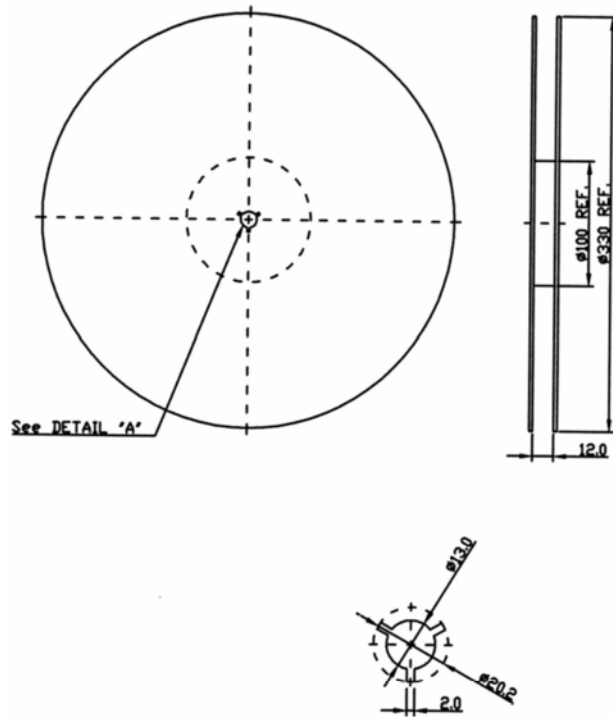
Year	2005	2006
	2007	2008
	2009	2010
Product Code	A	a

**F.PCB FOOTPRINT:**



**G. PACKING:**

**1. REEL DIMENSION**



**2. TAPE DIMENSION**

