

**NEWNEX PROPRIETARY**

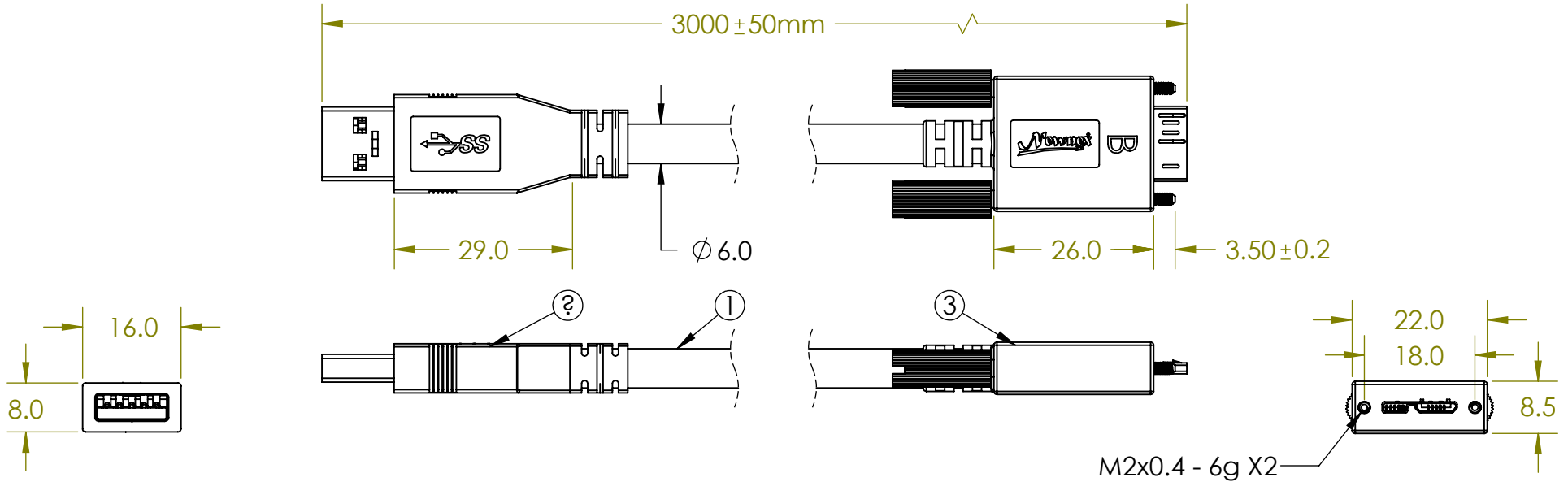
THIS DOCUMENT AND THE DATA DISCLOSED HEREIN OR WITHIN IS NOT TO BE REPRODUCED, USED, OR DISCLOSED IN WHOLE OR PART TO ANYONE WITHOUT THE WRITTEN PERMISSION OF NEWNEX

**COMPANY NAME**

**CUSTOMER SIGNATURE**

**DATE**

**COMMENTS:**



WIRING STRUCTURE					
USB 3.0 Standard-A Plug		Wire		USB 3.0 Micro-B Plug	
Pin Number	Signal Name	Wire Number	Signal Name	Pin Number	Signal Name
1	VBUS	1	PWR	1	VBUS
2	D-	2	UTP_D-	2	D-
3	D+	3	UTP_D+	3	D+
4	GND	4	GND_PWRrt	5	GND
5	StdA_SSRX-	5	SDP1-	6	MicB_SSTX-
6	StdA_SSRX+	6	SDP1+	7	MicB_SSTX+
7	GND_DRAIN	7 and 10	SDP1_Drain SDP2_Drain	8	GND_DRAIN
8	StdA_SSTX-	8	SDP2-	9	MicB_SSRX-
9	StdA_SSTX+	9	SDP2+	10	MicB_SSRX+
				4	ID
Shell	Shield	Braid	Shield	Shell	Shield

**Notes:**

1. Cable: USB 3.0, Black PVC Jacket.
2. Connector: USB 3.0 A Male.
3. Connector: USB 3.0 Micro B Male Locking.
4. Packaging: 1 Piece + PE bag.

Newnex Technology Corp.

UNLESS OTHERWISE SPECIFIED DIMENSIONS ARE IN MILLIMETERS TOLERANCES ARE:		PROJ:	TITLE: USB 3.0 A Male to Micro B Male with Locking, 3m, Black.	
FRACTIONS: X/4	DECIMALS: X.XX	SCALE: 1:1	REV: B	DATE: 6/21/2016
• NA	X ± 0.5 XX ± 0.25 XXX ± 0.125	ANGLES: ± 0.5°	DRAWN BY: ZL	APPROVED BY: FX
PART NUMBER: US2-AMCBI1-3M		CHECKED BY:		SHEET 1 OF 1
REVISION COMMENTS: Drawing generated				