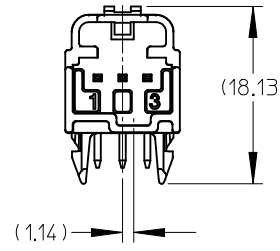
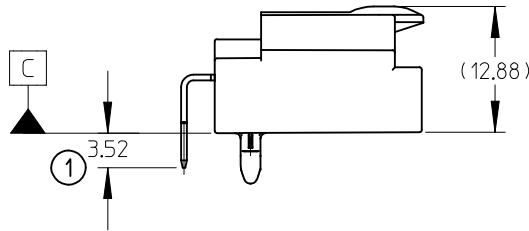
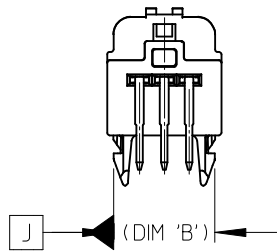
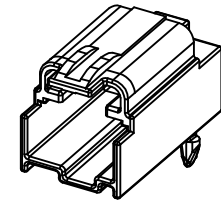
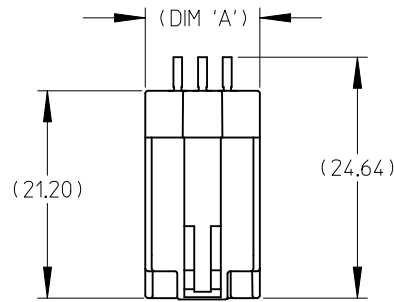
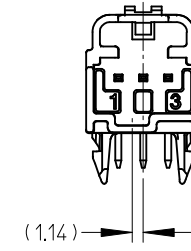


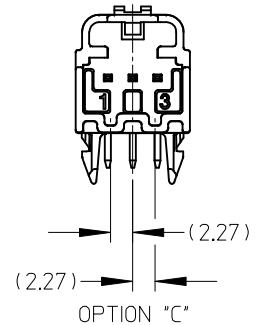
3 WAY RIGHT ANGLE
HEADER ASSEMBLY
(POLARIZATION OPTIONS
VIEWED FROM MATE SIDE)



OPTION "A"

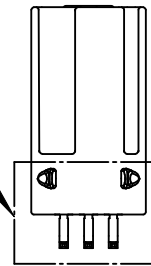


OPTION "B"



OPTION "C"

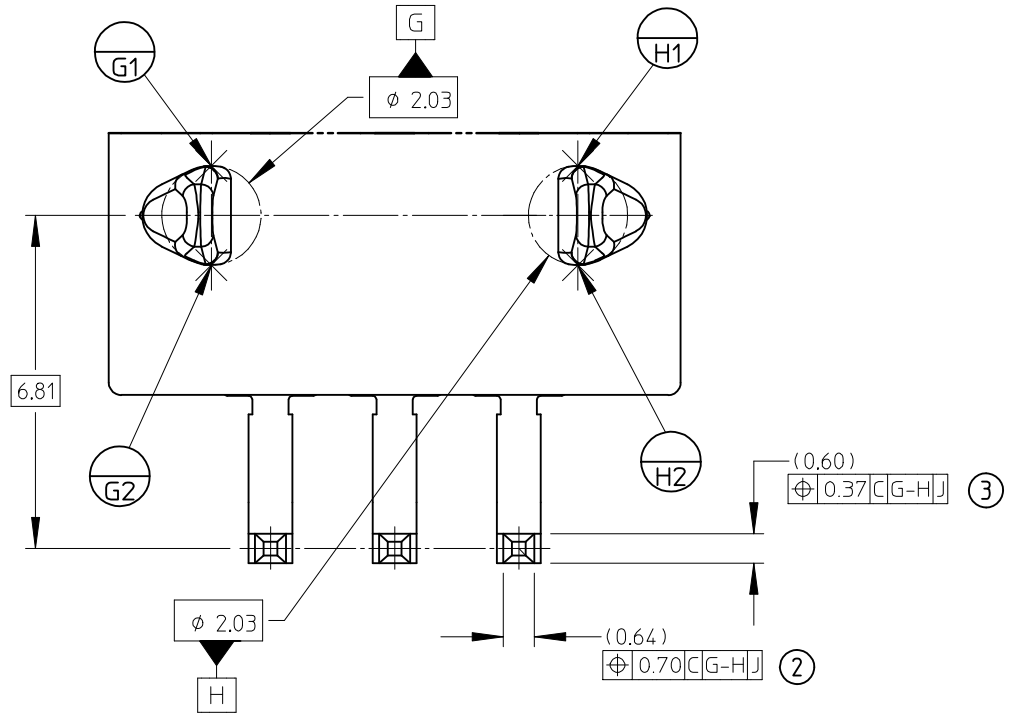
SEE DETAIL 1



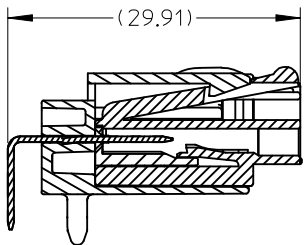
NOTES:

1. MATERIAL:
HOUSING: SYNDIOTATIC POLYSTRENE (SPS).
COLOR: SEE CHART.
TERMINAL: BRASS.
2. FINISH:
TERMINAL: 60 MICROINCHES MIN NICKEL (Ni)
UNDERPLATE OVERALL. 60 MICROINCHES MIN
SELECTIVE TIN (Sn).
3. PRODUCT SPEC NUMBER PS-31100-0001.
4. PACKAGING PER PACKAGING SPEC.: SEE CHART.
5. MATES WITH SEE CHART.

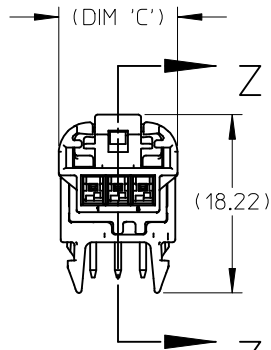
ENTER DESCRIPTION EC NO: UAU2017-0938 DRWN: JFISCHER01 2017/04/14 CHKD: APPR: RBAUMAN 2017/05/05 REV F2	QUALITY SYMBOLS ▽=0 ▽=0	GENERAL TOLERANCES (UNLESS SPECIFIED) mm INCH 4 PLACES ± --- ± --- 3 PLACES ± --- ± --- 2 PLACES ± 0.13 ± --- 1 PLACE ± 0.25 ± --- ANGULAR ± 1/2°	DIMENSION STYLE MM ONLY DRAWN BY DATE MDEVITO 01/12/06 CHECKED BY DATE BCOURIM 01/12/07 APPROVED BY DATE GMEYER 01/12/07	SCALE 2:1 TITLE RIGHT ANGLE HEADER ASSEMBLY CHARTED SALES DRAWING	DESIGN UNITS METRIC THIRD ANGLE PROJECTION
	DRAFT WHERE APPLICABLE MUST REMAIN WITHIN DIMENSIONS		MATERIAL NO. SEE CHART	DOCUMENT NO. SD-31197-003	SHEET NO. 1 OF 8
	MOLEX INCORPORATED				
	THIS DRAWING CONTAINS INFORMATION THAT IS PROPRIETARY TO MOLEX INCORPORATED AND SHOULD NOT BE USED WITHOUT WRITTEN PERMISSION				



DETAIL1
SCALE 10:1

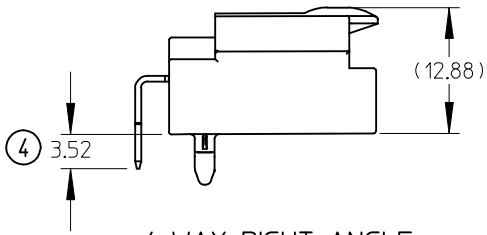


SECTION Z-Z
SCALE 2:1

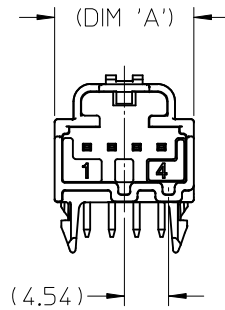


FULLY SEATED ASSEMBLY

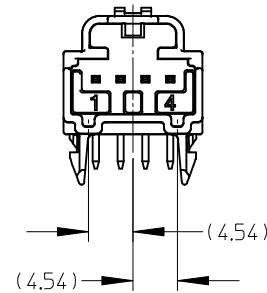
ENTER DESCRIPTION EC NO: UAU2017-0938 DRAWN: JFISCHER01 2017/04/14 CHKD: APPR: RBAUMAN 2017/05/05 REV F2	QUALITY SYMBOLS ▽=0 ▽=0	GENERAL TOLERANCES (UNLESS SPECIFIED)		DIMENSION STYLE MM ONLY		SCALE 1:1	DESIGN UNITS METRIC	THIRD ANGLE PROJECTION	
		4 PLACES ± --- ± --- 3 PLACES ± --- ± --- 2 PLACES ± 0.13 ± --- 1 PLACE ± 0.25 ± --- ANGULAR ± 1/2°	mm INCH ± --- ± --- ± 0.13 ± --- ± 0.25 ± ---	DRAWN BY MDEVITO	DATE 01/12/06	TITLE RIGHT ANGLE HEADER ASSEMBLY CHARTED SALES DRAWING			
DRAFT WHERE APPLICABLE MUST REMAIN WITHIN DIMENSIONS		APPROVED BY GMEYER		DATE 01/12/07		MOLEX INCORPORATED		SHEET NO. 2 OF 8	
MATERIAL NO. SEE CHART		DOCUMENT NO. SD-31197-003		THIS DRAWING CONTAINS INFORMATION THAT IS PROPRIETARY TO MOLEX INCORPORATED AND SHOULD NOT BE USED WITHOUT WRITTEN PERMISSION					



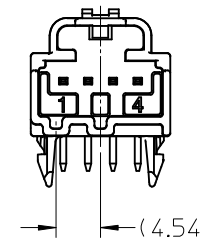
4 WAY RIGHT ANGLE
HEADER ASSEMBLY
(POLARIZATION OPTIONS
VIEWED FROM MATE SIDE)



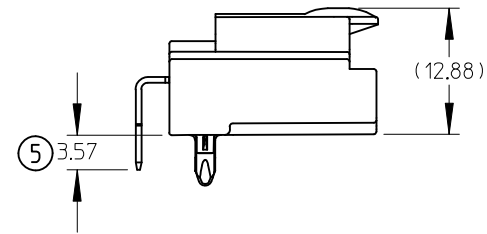
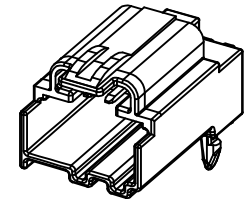
OPTION "A"



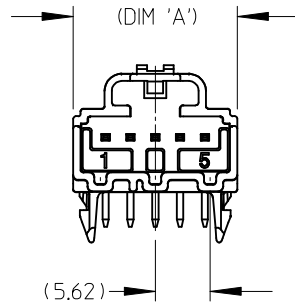
OPTION "B"



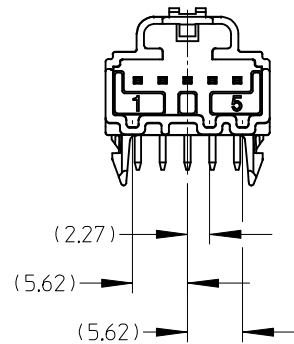
OPTION "C"



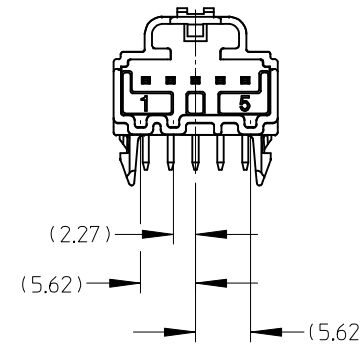
5 WAY RIGHT ANGLE
HEADER ASSEMBLY
(POLARIZATION OPTIONS
VIEWED FROM MATE SIDE)



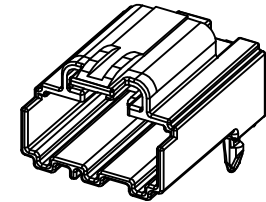
OPTION "A"



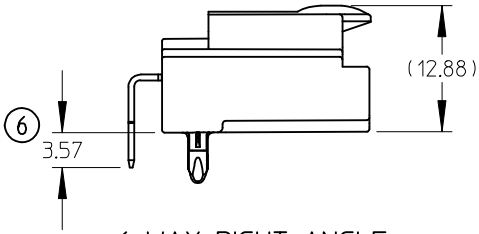
OPTION "B"



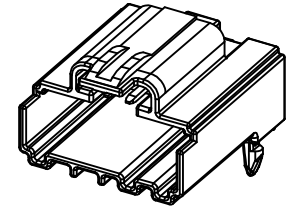
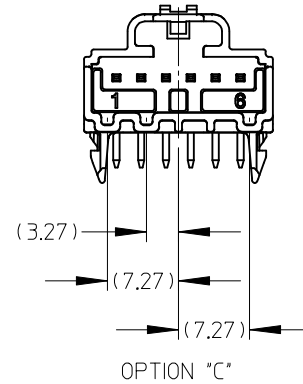
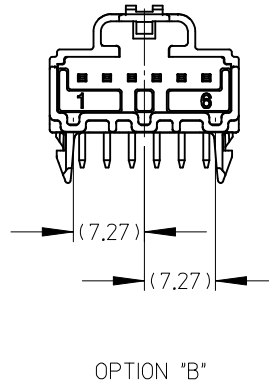
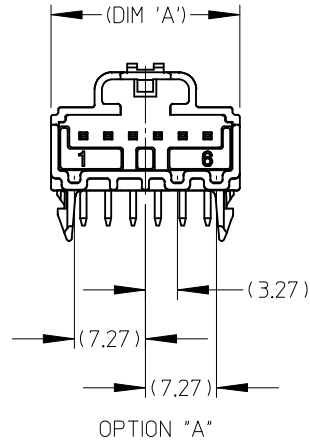
OPTION "C"



ENTER DESCRIPTION EC NO: JAU2017-0938 DRWN: JFISCHER01 2017/04/14 CHKD: APPR: RBALMAN 2017/05/05 F2	QUALITY SYMBOLS ▽=0 ▽=0	GENERAL TOLERANCES (UNLESS SPECIFIED) mm INCH 4 PLACES ± --- ± --- 3 PLACES ± --- ± --- 2 PLACES ± 0.13 ± --- 1 PLACE ± 0.25 ± --- ANGULAR ±1/2°	DIMENSION STYLE MM ONLY DRAWN BY DATE MDEVITO 01/12/06 CHECKED BY DATE BCOURIM 01/12/07 APPROVED BY DATE GMEYER 01/12/07	SCALE 2:1 DESIGN UNITS METRIC THIRD ANGLE PROJECTION
	DRAFT WHERE APPLICABLE MUST REMAIN WITHIN DIMENSIONS			TITLE RIGHT ANGLE HEADER ASSEMBLY CHARTED SALES DRAWING
	MATERIAL NO. SEE CHART			MOLEX INCORPORATED DOCUMENT NO. SD-31197-003
	SIZE B			SHEET NO. 3 OF 8 THIS DRAWING CONTAINS INFORMATION THAT IS PROPRIETARY TO MOLEX INCORPORATED AND SHOULD NOT BE USED WITHOUT WRITTEN PERMISSION



6 WAY RIGHT ANGLE
HEADER ASSEMBLY
(POLARIZATION OPTIONS
VIEWED FROM MATE SIDE)



ENTER DESCRIPTION EC NO: UAU2017-0938 DRWN: JFISCHER01 2017/04/14 CHKD: APPR: RBAUMAN 2017/05/05 REV: F2	QUALITY SYMBOLS ▽=0 ▽=0	GENERAL TOLERANCES (UNLESS SPECIFIED)		DIMENSION STYLE MM ONLY		SCALE 1:1	DESIGN UNITS METRIC	THIRD ANGLE PROJECTION	
		4 PLACES ± --- ± --- 3 PLACES ± --- ± --- 2 PLACES ± 0.13 ± --- 1 PLACE ± 0.25 ± ---	mm INCH	DRAWN BY MDEVITO	DATE 01/12/06	TITLE RIGHT ANGLE HEADER ASSEMBLY CHARTED SALES DRAWING			
		ANGULAR ±1/2°		CHECKED BY BCOURIM	DATE 01/12/07	MOLEX INCORPORATED			
		DRAFT WHERE APPLICABLE MUST REMAIN WITHIN DIMENSIONS		APPROVED BY GMEYER	DATE 01/12/07	MATERIAL NO. SEE CHART	DOCUMENT NO. SD-31197-003	SHEET NO. 4 OF 8	

BILL OF MATERIALS

FEMALE MATING ASSEMBLY	HEADER ASSEMBLY P/N PER DWG. PK-31300-577 (TRAY PKG)	DESCRIPTION	COLOR	DIM 'A'	DIM 'B'	DIM 'C'
31067-1010	31100-0030 NOT TOOLED	3 WAY RIGHT ANGLE HEADER ASSEMBLY POLARIZATION "A"	BLACK	11.69	10.33	12.14
31067-1011	31100-0031 NOT TOOLED	3 WAY RIGHT ANGLE HEADER ASSEMBLY POLARIZATION "B"	GRAY	11.69	10.33	12.14
31067-1012	31100-0032 NOT TOOLED	3 WAY RIGHT ANGLE HEADER ASSEMBLY POLARIZATION "C"	BROWN	11.69	10.33	12.14
31068-1010	31100-0040	4 WAY RIGHT ANGLE HEADER ASSEMBLY POLARIZATION "A"	BLACK	14.23	12.87	14.68
31068-1011	31100-0041	4 WAY RIGHT ANGLE HEADER ASSEMBLY POLARIZATION "B"	GRAY	14.23	12.87	14.68
31068-1012	31100-0042	4 WAY RIGHT ANGLE HEADER ASSEMBLY POLARIZATION "C"	BROWN	14.23	12.87	14.68

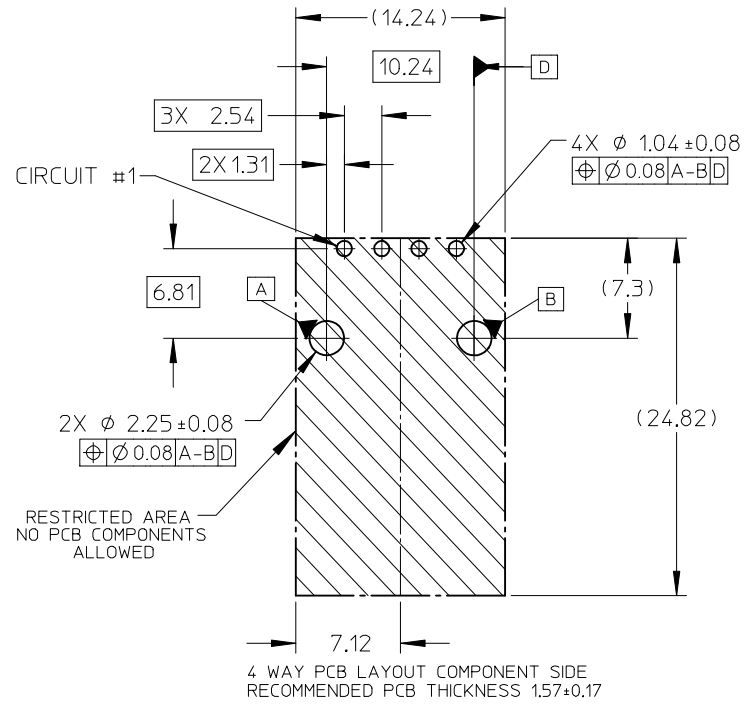
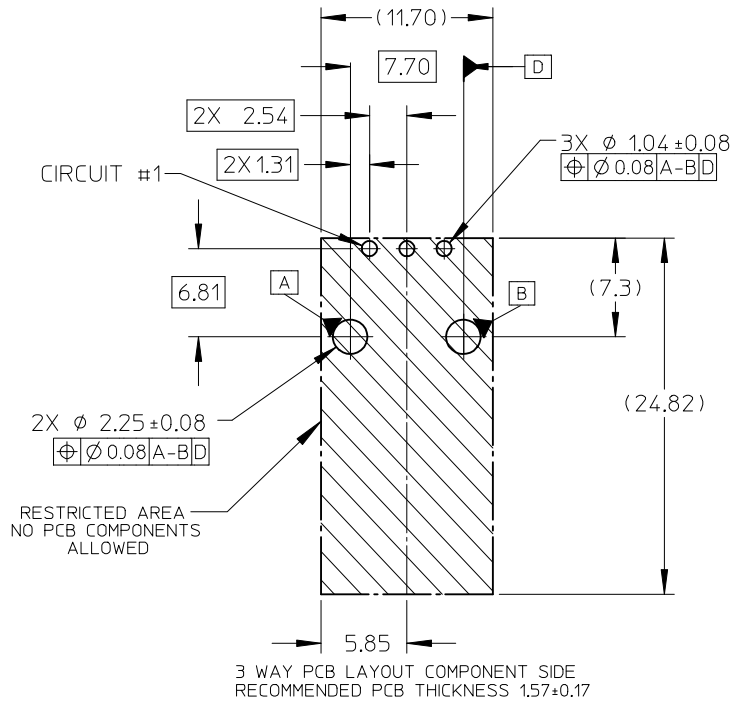
ENTER DESCRIPTION EC NO: UAU2017-0938 DRWN: JFISCHER01 2017/04/14 CHKD: APPR: RBAUMAN 2017/05/05	DESCRIPTION REV	QUALITY SYMBOLS ▼=0 ▽=0	GENERAL TOLERANCES (UNLESS SPECIFIED) mm INCH 4 PLACES ± --- ± --- 3 PLACES ± --- ± --- 2 PLACES ± 0.13 ± --- 1 PLACE ± 0.25 ± --- ANGULAR ±1/2°	DIMENSION STYLE MM ONLY DRAWN BY DATE MDEVITO 01/12/06 CHECKED BY DATE BCOURIM 01/12/07 APPROVED BY DATE GMEYER 01/12/07	SCALE DESIGN UNITS METRIC	THIRD ANGLE PROJECTION	
		DRAFT WHERE APPLICABLE MUST REMAIN WITHIN DIMENSIONS			MATERIAL NO. SEE CHART	TITLE RIGHT ANGLE HEADER ASSEMBLY CHARTED SALES DRAWING	MOLEX INCORPORATED
					DOCUMENT NO. SD-31197-003	SHEET NO. 5 OF 8	
					THIS DRAWING CONTAINS INFORMATION THAT IS PROPRIETARY TO MOLEX INCORPORATED AND SHOULD NOT BE USED WITHOUT WRITTEN PERMISSION		
		F2					

BILL OF MATERIALS

FEMALE MATING ASSEMBLY	HEADER ASSEMBLY P/N PER DWG. PK-31300-577 (TRAY PKG)	DESCRIPTION	COLOR	DIM 'A'	DIM 'B'	DIM 'C'
31072-1010	31100-0050 NOT TOOLED	5 WAY RIGHT ANGLE HEADER ASSEMBLY POLARIZATION "A"	BLACK	16.77	15.41	17.22
31072-1011	31100-0051 NOT TOOLED	5 WAY RIGHT ANGLE HEADER ASSEMBLY POLARIZATION "B"	GRAY	16.77	15.41	17.22
31072-1012	31100-0052 NOT TOOLED	5 WAY RIGHT ANGLE HEADER ASSEMBLY POLARIZATION "C"	BROWN	16.77	15.41	17.22
31073-1010	31100-0060 NOT TOOLED	6 WAY RIGHT ANGLE HEADER ASSEMBLY POLARIZATION "A"	BLACK	19.31	17.95	19.76
31073-1011	31100-0061 NOT TOOLED	6 WAY RIGHT ANGLE HEADER ASSEMBLY POLARIZATION "B"	GRAY	19.31	17.95	19.76
31073-1012	31100-0062 NOT TOOLED	6 WAY RIGHT ANGLE HEADER ASSEMBLY POLARIZATION "C"	BROWN	19.31	17.95	19.76

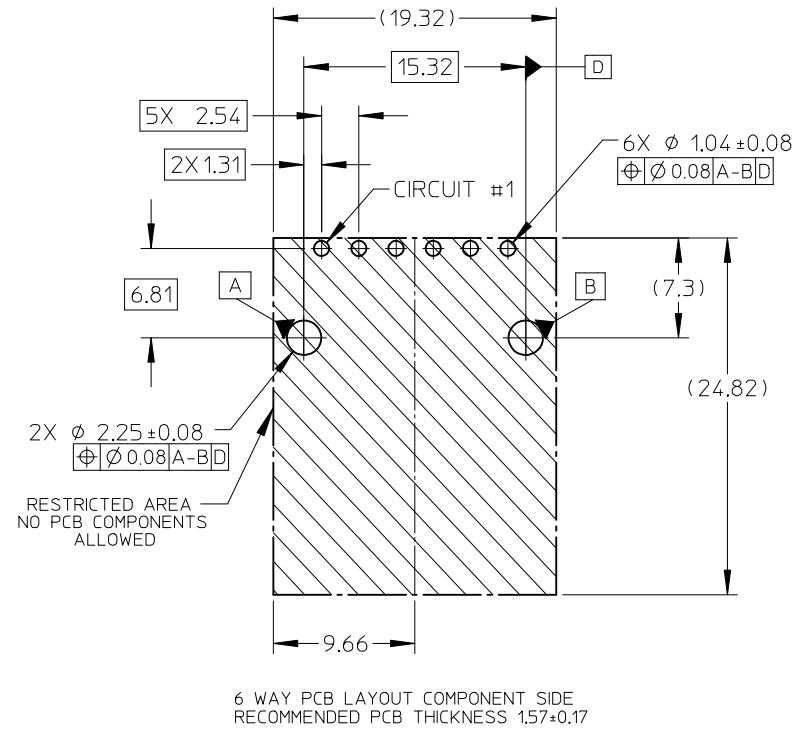
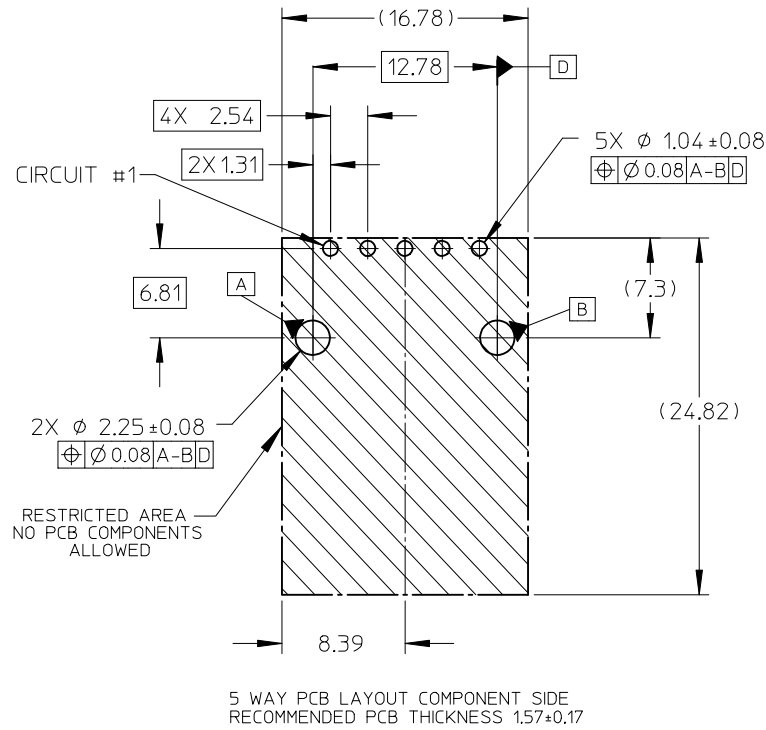
ENTER DESCRIPTION EC NO: UAU2017-0938 DRWN: JFISCHER01 2017/04/14 CHKD: APPR: RBAUMAN 2017/05/05 REV F2	QUALITY SYMBOLS ▽=0 ▽=0	GENERAL TOLERANCES (UNLESS SPECIFIED) <table border="1"> <thead> <tr> <th></th> <th>mm</th> <th>INCH</th> </tr> </thead> <tbody> <tr> <td>4 PLACES</td> <td>± ---</td> <td>± ---</td> </tr> <tr> <td>3 PLACES</td> <td>± ---</td> <td>± ---</td> </tr> <tr> <td>2 PLACES</td> <td>± 0.13</td> <td>± ---</td> </tr> <tr> <td>1 PLACE</td> <td>± 0.25</td> <td>± ---</td> </tr> <tr> <td colspan="3">ANGULAR ±1/2°</td> </tr> </tbody> </table>		mm	INCH	4 PLACES	± ---	± ---	3 PLACES	± ---	± ---	2 PLACES	± 0.13	± ---	1 PLACE	± 0.25	± ---	ANGULAR ±1/2°			DIMENSION STYLE MM ONLY DRAWN BY MDEVITO DATE 01/12/06 CHECKED BY BCOURIM DATE 01/12/07 APPROVED BY GMEYER DATE 01/12/07 MATERIAL NO.	SCALE 1:1 DESIGN UNITS METRIC THIRD ANGLE PROJECTION	TITLE RIGHT ANGLE HEADER ASSEMBLY CHARTED SALES DRAWING MOLEX INCORPORATED DOCUMENT NO. SD-31197-003 SHEET NO. 6 OF 8
		mm	INCH																				
	4 PLACES	± ---	± ---																				
	3 PLACES	± ---	± ---																				
2 PLACES	± 0.13	± ---																					
1 PLACE	± 0.25	± ---																					
ANGULAR ±1/2°																							
DRAFT WHERE APPLICABLE MUST REMAIN WITHIN DIMENSIONS		SEE CHART	THIS DRAWING CONTAINS INFORMATION THAT IS PROPRIETARY TO MOLEX INCORPORATED AND SHOULD NOT BE USED WITHOUT WRITTEN PERMISSION																				

RECOMMENDED PCB LAYOUT



ENTER DESCRIPTION EC NO: UAU2017-0938 DRWN: JFISCHER01 2017/04/14 CHKD: APPR: RBAUMAN 2017/05/05 F2	QUALITY SYMBOLS ▽=0 ▽=0	GENERAL TOLERANCES (UNLESS SPECIFIED) mm INCH 4 PLACES ± --- ± --- 3 PLACES ± --- ± --- 2 PLACES ± 0.13 ± --- 1 PLACE ± 0.25 ± --- ANGULAR ± 1/2°	DIMENSION STYLE MM ONLY DRAWN BY DATE MDEVITO 01/12/06 CHECKED BY DATE BCOURIM 01/12/07 APPROVED BY DATE GMEYER 01/12/07 MATERIAL NO.	SCALE 1:1 DESIGN UNITS METRIC THIRD ANGLE PROJECTION	TITLE RIGHT ANGLE HEADER ASSEMBLY CHARTED SALES DRAWING MOLEX INCORPORATED DOCUMENT NO. SD-31197-003 SHEET NO. 7 OF 8	
	DRAFT WHERE APPLICABLE MUST REMAIN WITHIN DIMENSIONS		SEE CHART	THIS DRAWING CONTAINS INFORMATION THAT IS PROPRIETARY TO MOLEX INCORPORATED AND SHOULD NOT BE USED WITHOUT WRITTEN PERMISSION		

RECOMMENDED PCB LAYOUT



ENTER DESCRIPTION EC NO: UAU2017-0938 DRWN: JF/SCHER01 2017/04/14 CHKD: APPR: RBALIMAN 2017/05/05 F2	QUALITY SYMBOLS ▽=0 ▽=0	GENERAL TOLERANCES (UNLESS SPECIFIED) mm INCH 4 PLACES ± --- ± --- 3 PLACES ± --- ± --- 2 PLACES ± 0.13 ± --- 1 PLACE ± 0.25 ± --- ANGULAR ± 1/2°	DIMENSION STYLE MM ONLY DRAWN BY DATE MDEVITO 01/12/06 CHECKED BY DATE BCOURIM 01/12/07 APPROVED BY DATE GMEYER 01/12/07 MATERIAL NO.	SCALE DESIGN UNITS METRIC THIRD ANGLE PROJECTION	TITLE RIGHT ANGLE HEADER ASSEMBLY CHARTED SALES DRAWING MOLEX INCORPORATED DOCUMENT NO. SD-31197-003 SHEET NO. 8 OF 8
	DRAFT WHERE APPLICABLE MUST REMAIN WITHIN DIMENSIONS		SEE CHART	THIS DRAWING CONTAINS INFORMATION THAT IS PROPRIETARY TO MOLEX INCORPORATED AND SHOULD NOT BE USED WITHOUT WRITTEN PERMISSION	